

15

1501 09

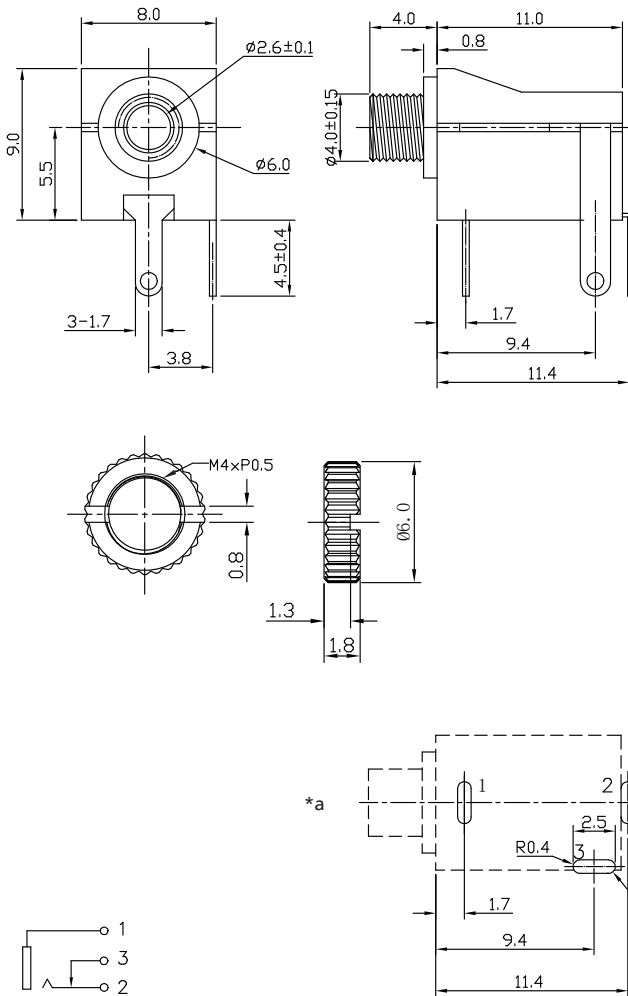
## Jack connectors



Jack chassis socket acc. to JIS C 6560 JC25P2B, 2.5 mm, 2 poles/mono, angular version, with break contact and solder eyes, for printed circuit boards, for back side mounting

15

1501 09



#### Environmental conditions

Temperature range -20 °C/+60 °C

#### Materials

Insulating body PBT, V-0 according to UL94  
Contact CuZn/steel, nickel-plated

#### Mechanical data

Mating cycles 5000  
Insertion force 2.9–19.6 N  
Withdrawal force 2.9–19.6 N

#### Electrical data (at T<sub>amb</sub> 20 °C)

Contact resistance 30 mΩ  
Rated current 1 A  
Rated voltage 16 V DC  
Insulation resistance ≥ 100 MΩ

#### Associated products

Counterparts  
☑ KLS 1 ☑ KLS 10

\*a printed circuit board layout, components side view

15

1501 09

Designation	Pole Number	PU (Pieces)	MDQ (Pieces)
1501 09	2	500	500

**Packaging:**

in bulk, in a cardboard box or a plastic bag