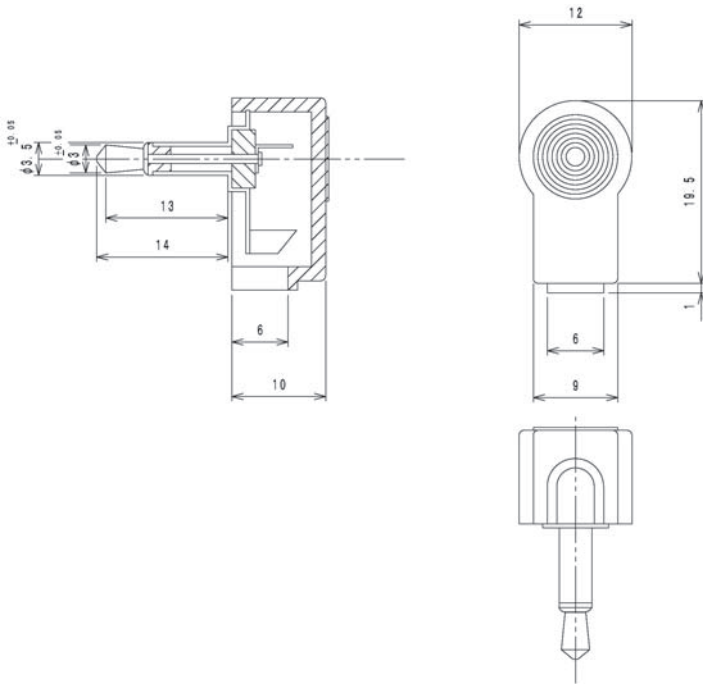


15 WKLS 2

Jack connectors



Jack plug acc. to JIS C 6560 JC35P2, 3.5 mm, 2 poles/mono, angular version, with solder terminals



Environmental conditions

Temperature range -20 °C/+70 °C

Materials

Insulating body	Ebonit
Contact	CuZn/steel, nickel-plated
Housing	PE

Connectable conductors for solder area

Cable diameter 4 mm

Electrical data (at T_{amb} 20 °C)

Rated current	1 A
Rated voltage	34 V AC/DC
Rated impulse voltage	500 V/60 s
Insulation resistance	≥ 100 MΩ

Associated products

Counterparts

☞ 1502 03	☞ 1503 06	☞ 1503 12
☞ 1503 22	☞ 1522 02	☞ 1522 03

15

WKLS 2

Designation	Pole Number	PU (Pieces)	MDQ (Pieces)
WKLS 2	2	100	500

Packaging:

in bulk, in a cardboard box or a plastic bag