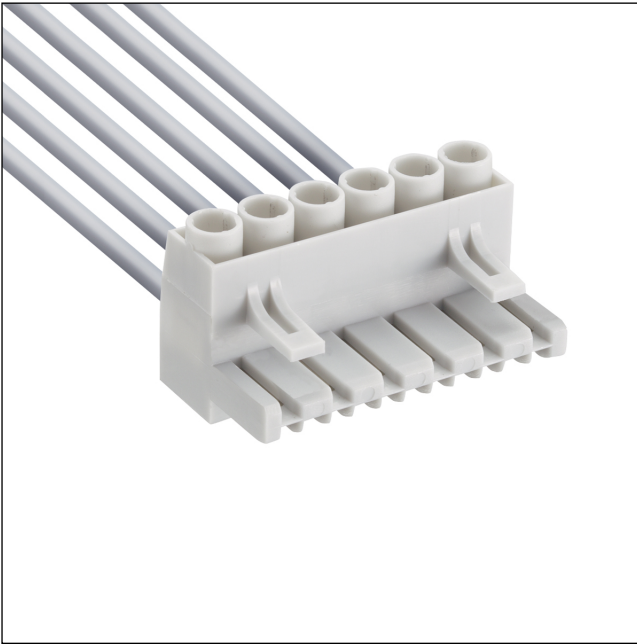



65 KS

Pluggable screw terminal blocks on socket boards, pitch 5.0 mm



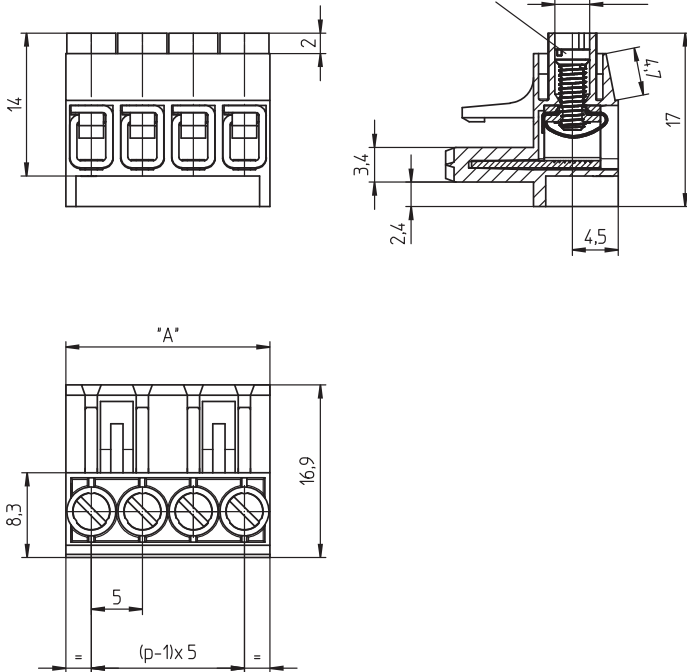
Pluggable screw terminal block, clamp with wire protection, consecutive placement without loss of pitch, without side walls

---

Approvals: 

---

65 KS



#### Environmental conditions

Temperature range -25 °C/+100 °C<sup>1</sup>

<sup>1</sup> upper limit temperature (insulating body) RTI (electrical) of the UL Yellow Card

#### Materials

Insulating body	PA, V-2 according to UL94
Clamp	CuZn, silver-plated
Wire protector	CuSn, silver-plated
Screw	steel, zinc-plated and chromated

#### Mechanical data

Screw size	M2.6
Tightening torque screw	0.4 Nm

#### Connectable conductors for screw clamp

Section stranded wire	0.2–2.5 mm <sup>2</sup> (VDE) AWG 16–12 (UL)/AWG 24–14 (CSA)
Section solid wire	0.2–4.0 mm <sup>2</sup> (VDE) AWG 16–12 (UL)/AWG 24–14 (CSA)
Stripping length	7.0 ± 0.5 mm

#### Electrical data (at T<sub>amb</sub> 20 °C)

Rated current	10 A (T <sub>amb</sub> 65 °C)
Rated voltage	250 V AC <sup>1</sup>
Material group	I (IEC)/0 (UL) (CTI ≥ 600) <sup>1</sup>
Creepage distance	4.2 mm <sup>2</sup>
Clearance	3.5 mm <sup>2</sup>
Insulation resistance	> 10 GΩ

<sup>1</sup> according to IEC 60664/DIN EN 60664, CTI UL classification according to ANSI/UL 746A

<sup>2</sup> with connected maximum cross section

#### Associated products

Counterparts  
 KB                       KBQ                       KBW  
 KBWO

65

KS

Designation	Pole Number	PU (Pieces)	MDQ (Pieces)	Dimensions A (mm)
KS 02	2	200	2000	10
KS 03	3	200	2000	15
KS 04	4	200	2000	20
KS 05	5	200	2000	25
KS 06	6	200	2000	30
KS 07	7	200	2000	35
KS 08	8	200	2000	40
KS 09	9	200	2000	45
KS 10	10	200	2000	50

**Packaging:**

in bulk, in a cardboard box