

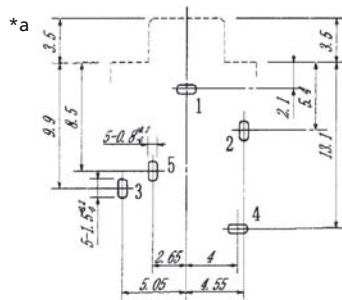
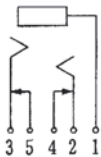
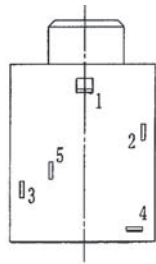
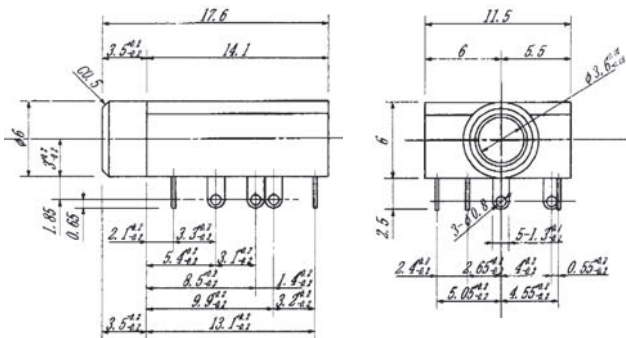
15

1503 17

Jack connectors



Jack chassis socket acc. to JIS C 6560 JC35J3B, 3.5 mm, 3 poles/stereo, angular version, with 2 break contacts and solder eyes, for printed circuit boards, for back side mounting



Environmental conditions

Temperature range -10 °C/+70 °C

Materials

Insulating body PBT GF, V-0 according to UL94
 Contact spring Cu alloy, silver-plated
 Cover PC, V-0 according to UL94
 Knurled nut CuZn, nickel-plated

Mechanical data

Mating cycles ≥ 5000
 Insertion force 3–20 N¹
 Withdrawal force 3–20 N¹

¹ measured with a gauge plug

Electrical data (at T_{amb} 20 °C)

Contact resistance ≤ 30 mΩ
 Rated current 1 A
 Rated voltage 34 V AC/DC
 Rated impulse voltage 250 V/60 s
 Insulation resistance ≥ 100 MΩ

Associated products

Counterparts
 ☞ 1532 07 ☞ KLS 40 ☞ KLS 44
 ☞ WKLS 40

*a printed circuit board layout, solder side view

15

1503 17

Designation	Pole Number	PU (Pieces)	MDQ (Pieces)
1503 17	3	500	500

Packaging:

in bulk, in a cardboard box or a plastic bag