

16

1636 01

Power supply connectors



Power supply plug acc. to JEITA RC-5320A JSAP1, straight version, with solder eyes and bend protection

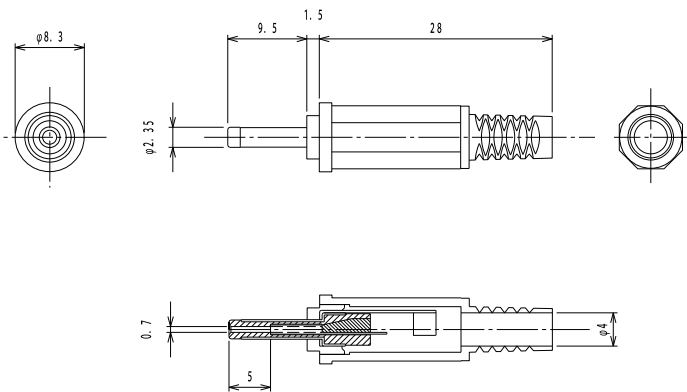
---

State: Obsolete

---

16

1636 01



#### Environmental conditions

Temperature range -20 °C/+70 °C

#### Materials

Insulating body POM, HB according to UL94  
Contact CuZn, nickel-plated  
Housing PE

#### Mechanical data

Outer diameter 2.35 mm  
Inner diameter 0.7 mm

#### Connectable conductors for solder area

Cable diameter 4 mm

#### Electrical data (at T<sub>amb</sub> 20 °C)

Rated current 2 A  
Rated voltage 3.15 V DC  
Rated impulse voltage 500 V/60 s  
Insulation resistance ≥ 100 MΩ

#### Associated products

Counterparts  
↗ 1613 03 ↗ 1613 25

16

1636 01

Designation	Pole Number	PU (Pieces)	MDQ (Pieces)
1636 01	2	100	500

**Packaging:**

in bulk, in a cardboard box or a plastic bag