


65 KBWO

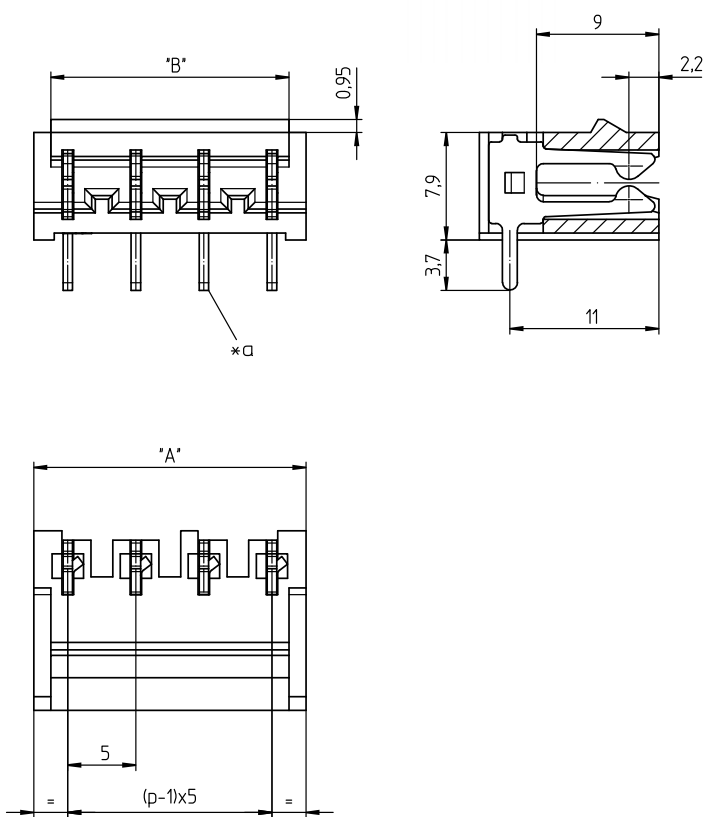
Pluggable screw terminal blocks on socket boards, pitch 5.0 mm



Socket board, angular, solder pins single row, consecutive placement without loss of pitch

Approvals: 

65 KBWO



*a solder pin for printed circuit board bore hole \varnothing 1.3 mm

Environmental conditions

Temperature range -25 °C/+100 °C¹

¹ upper limit temperature (insulating body) RTI (electrical) of the UL Yellow Card

Materials

Insulating body PA, V-2 according to UL94

Contact spring CuSn, pre-nickel and tin-plated

Mechanical data

Insertion force/contact $\leq 2.5 \text{ N}^1$

Withdrawal force/contact $\geq 1.5 \text{ N}^1$

¹ measured with a polished steel pin, nominal thickness 0.7 mm

Electrical data (at $T_{\text{amb}} 20 \text{ °C}$)

Contact resistance $\leq 5 \text{ m}\Omega$

Rated current 10 A ($T_{\text{amb}} 65 \text{ °C}$)

Rated voltage 250 V AC¹

Material group I (IEC)/0 (UL) (CTI ≥ 600)¹

Creepage distance 4.3 mm

Clearance 4.3 mm

Insulation resistance $> 10 \text{ G}\Omega$

¹ according to IEC 60664/DIN EN 60664, CTI UL classification according to ANSI/UL 746A

Associated products

Counterparts

 KS

 KSC

65 KBWO

Designation	Pole Number	PU (Pieces)	MDQ (Pieces)	Dimensions	
				A (mm)	B (mm)
KBWO 02	2	200	2000	10	7.5
KBWO 03	3	200	2000	15	12.5
KBWO 04	4	200	2000	20	17.5
KBWO 05	5	200	2000	25	22.5
KBWO 06	6	200	2000	30	27.5
KBWO 07	7	200	2000	35	32.5
KBWO 08	8	200	2000	40	37.5
KBWO 09	9	200	2000	45	42.5
KBWO 10	10	200	2000	50	47.5

Packaging:

in bulk, in a cardboard box