

# J76 Series - Liquid Filled

Stainless Steel Case / Brass Internals / 2.5" Lower Mount

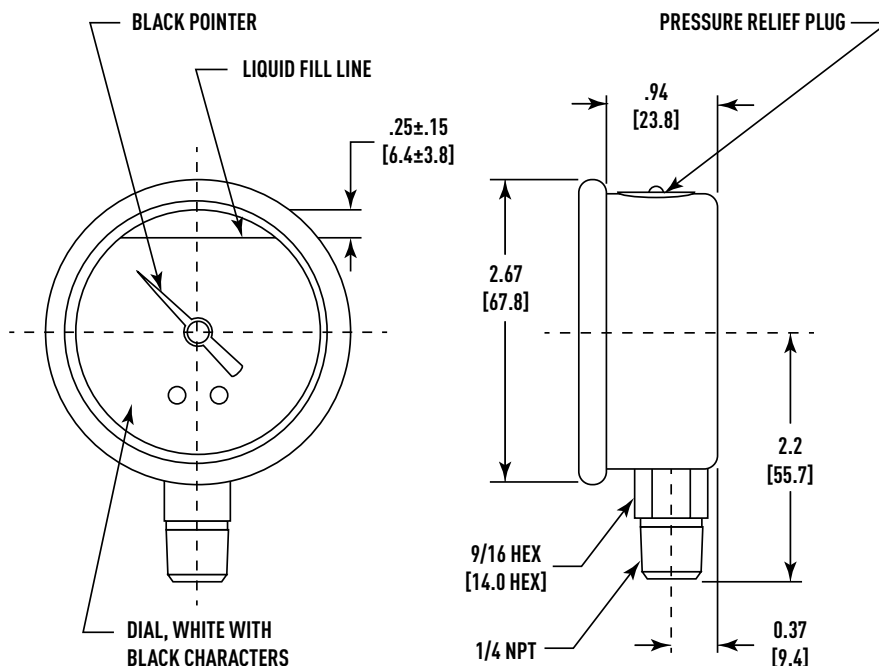


Marsh Instruments Severe Service Liquid Filled Gauges are designed to perform in rugged and harsh environmental conditions, especially where pulsation or vibration is a problem. Liquid Filled Gauges offer a significant cushioning and dampening effect, reducing pointer flutter and lubricating the internals.

## Features:

- Liquid Filled for Dampening Effect
- Weatherproof/Hermetically Sealed
- Heavy Duty 1 Piece Socket Design

## Product Dimensions



## Product Specifications

### Design

Meets/Exceeds ASME B40.100

### Accuracy

±3/2/3% (ASME Grade B)

### Dial Size(s)

2.5" Diameter (63 mm)

### Case

304 Stainless Steel

### Bezel

304 Stainless Steel - Fixed

### Tube & Socket

Copper Alloy

### Movement

Brass

### Connection

1/4 NPT - Lower Mount

### Pressure Ranges

VAC/Compound to 10,000 psi

### Standard Scale

Dual Scale psi and kPa

### Dial Color

Black Markings on White

### Pointer

Aluminum, Black Painted

### Window

Polycarbonate

### Standard Case Fill

Dry

Glycerine

Silicone

### Ambient Temperature

Dry: -40° to 180°F

Glycerine: 30° to 160°F

Silicone: -40° to 180°F

### Vent Plug

Filter/Pressure Relief Plug

### Weight

Filled 1.0 lb.

Dry 0.7 lb.