

1.8 dBi, VHF Rubber Duck Antenna, 136-174 MHz,
BNC Connector, Vertical Polarization



LCANRBD1006

Features

- 136 MHz to 174 MHz, 1.8 dBi Gain
- BNC connector
- Heliflex whip antenna
- Plug and play
- 10W power handling
- VSWR < 1.8:1
- Vertical polarization

Applications

- PtP or PtMP applications
- Trunking for two-way radio comms
- VHF applications
- Public Safety / Emergency services
- Marine / Rail road communications
- P-25 applications exclusively supported
- Land mobile radio (LMR)
- Fixed and mobile services

Description

The LCANRBD1006 rubber duck antenna from L-Com is part of our extensive line of directional antennas that we offer with global same-day shipping from our facilities certified to ISO 9001:2015. L-Com's high-quality single-band rubber duck antenna has a 1.8 dBi nominal gain and can be procured with no order limit. This rubber duck single-band 1.8 dBi antenna has a frequency range of 136 MHz to 174 MHz.

We lead the industry in supplying products like this 136 MHz to 174 MHz single-band antenna, along with other RF, microwave, and millimeter wave components. This rubber duck antenna from L-Com uses a BNC connector and has a maximum input power of 10 watts. Use our single-band rubber duck antenna with vertical polarization for fixed and mobile services, public safety or emergency services, trunking for two-way radio communications, marine or rail road communications, land mobile radio (LMR), PtP or PtMP, and P-25 applications.

L-Com's rubber duck antenna with 1.8 dBi gain has a BNC-type connector. This BNC-series connectorized omnidirectional antenna is 0.5 inches tall, 0.5 inches wide, and 6.69 inches long. The LCANRBD1006 VHF antenna has 360-degrees of horizontal and 90-degrees of vertical HPBW. Our high-quality antenna has a maximum input VSWR (voltage standing wave ratio) of 1.8:1.

L-Com's 50 Ohms impedance antenna can operate at temperatures ranging from -40 °C to 60 °C. This single-band rubber duck antenna is offered with expert technical support, PDF datasheets, and CAD drawings with dimensions and specifications. Order your 1.8 dBi VHF rubber duck antennas now and enjoy our international or domestic same-day shipping.

Configuration

Design	Rubber Duck
Band Type	Single
Radiation Pattern	Omni Directional
Polarization	Vertical
Connector Type	BNC

Electrical Specifications

Description	Minimum	Typical	Maximum	Units
Frequency Range	136		174	MHz

Click the following link (or enter part number in "SEARCH" on website) to obtain additional part information including price, inventory and certifications:
[1.8 dBi, VHF Rubber Duck Antenna, 136-174 MHz, BNC Connector, Vertical Polarization LCANRBD1006](#)

1.8 dBi, VHF Rubber Duck Antenna, 136-174 MHz,
BNC Connector, Vertical Polarization



LCANRBD1006

Input VSWR		1.8:1	
Impedance	50		Ohms
Gain	1.8		dBi
Horizontal (Azimuth) HPBW	360		Degrees
Vertical (Elevation) HPBW	90		Degrees
Input Power		10	Watts

Mechanical Specifications

Radome Material	ABS
Size	
Length	6.69 in [169.93 mm]
Width	0.5 in [12.7 mm]
Height	0.5 in [12.7 mm]
Weight	0.077 lbs [34.93 g]

Environmental Specifications

Temperature	
Operating Range	-40 to +60 deg C

Compliance Certifications (see [product page](#) for current document)

Plotted and Other Data

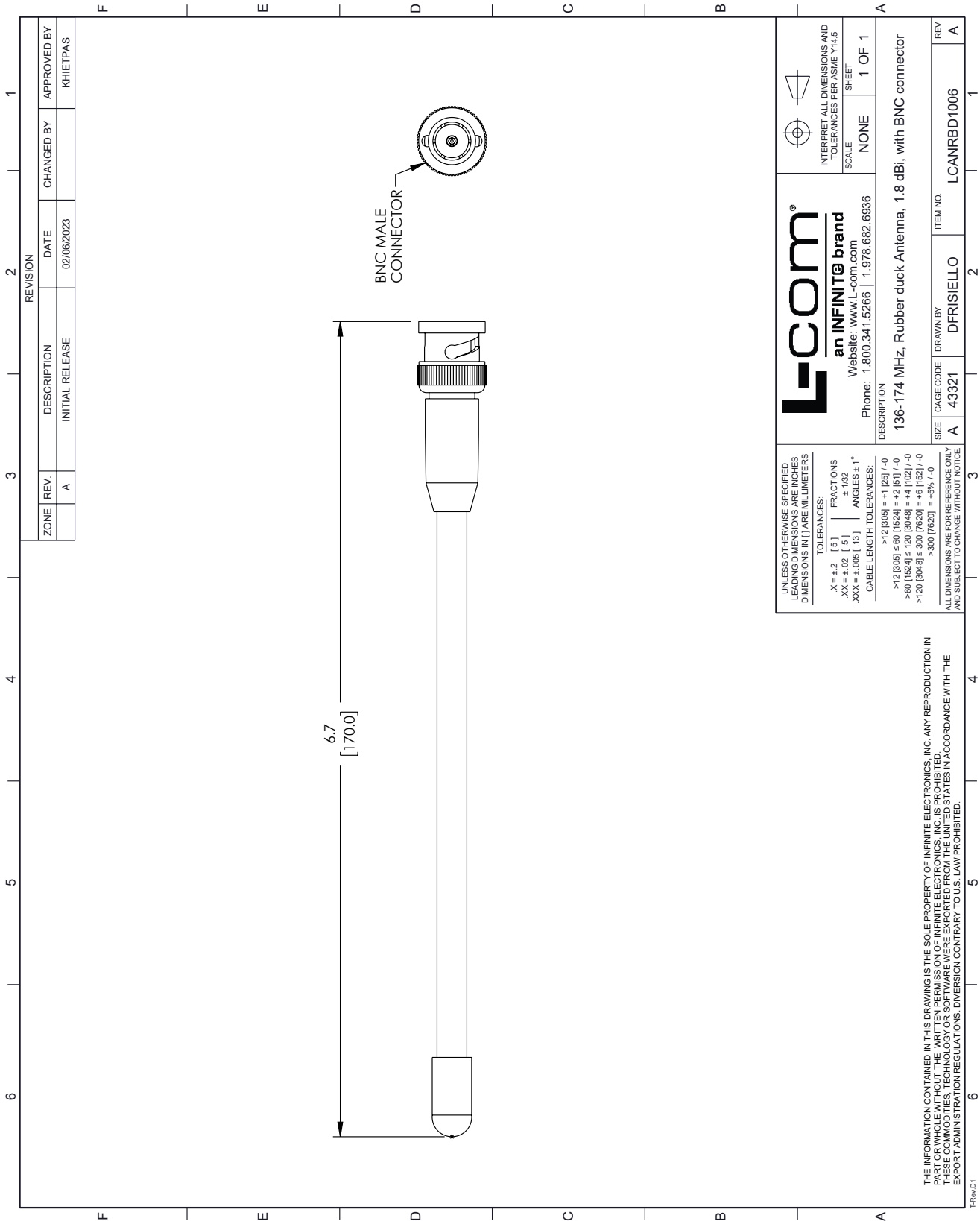
Notes:

1.8 dBi, VHF Rubber Duck Antenna, 136-174 MHz, BNC Connector, Vertical Polarization from L-com has same day shipment for domestic and International orders. Our portfolio includes coaxial cable assemblies, connectors, adapters and custom products as well as lightning and surge protectors, NEMA rated enclosures, and an RF product line which includes antennas, amplifiers, passive, and active components.

The information contained within this document is accurate to the best of our knowledge and representative of the part described herein. It may be necessary to make modifications to the part and/or the documentation of the part in order to impliment improvements. L-com reserves the right to make such changes as required. Unless otherwise stated, all specifications are nominal. L-com does not make any representation or warranty regarding the suitability of the part described herein for any particular purpose, and L-com does not assume liability arising out of the use of any part or document.

1.8 dBi, VHF Rubber Duck Antenna, 136-174 MHz, BNC Connector, Vertical Polarization

L-com CAD Drawing



REVISION		DATE	APPROVED BY
ZONE	REV.	DESCRIPTION	CHANGED BY
	A	INITIAL RELEASE	KHIETPAS

L-com
an INFINITE brand
Website: www.l-com.com
Phone: 1.800.341.5266 | 1.978.682.6936

INTERPRET ALL DIMENSIONS AND TOLERANCES PER ASME Y14.5
SCALE: NONE
SHEET: 1 OF 1

UNLESS OTHERWISE SPECIFIED LEADING DIMENSIONS ARE INCHES DIMENSIONS IN [] ARE MILLIMETERS

TOLERANCES:
.X = ±.2 [5] FRACTIONS ± 1/32
.XX = ±.02 [0.5] ANGLES ± 1°
.XXX = ±.005 [0.13] CABLE LENGTH TOLERANCES:
>12 [305] = +1 [25] / -0
>12 [305] ≤ 60 [1524] = +2 [51] / -0
>60 [1524] ≤ 120 [3048] = +4 [102] / -0
>120 [3048] ≤ 300 [7620] = +6 [152] / -0
>300 [7620] = +5% / -0

ALL DIMENSIONS ARE FOR REFERENCE ONLY AND SUBJECT TO CHANGE WITHOUT NOTICE.

DESCRIPTION	ITEM NO.	REV
136-174 MHz, Rubber duck Antenna, 1.8 dBi, with BNC connector	LCANRBD1006	A
SIZE	DRAWN BY	
A	DFRISIELLO	
CAGE CODE	ITEM NO.	
43321	LCANRBD1006	

THE INFORMATION CONTAINED IN THIS DRAWING IS THE SOLE PROPERTY OF INFINITE ELECTRONICS, INC. ANY REPRODUCTION IN PART OR WHOLE WITHOUT THE WRITTEN PERMISSION OF INFINITE ELECTRONICS, INC. IS PROHIBITED.
THIS DRAWING IS THE PROPERTY OF INFINITE ELECTRONICS, INC. IT IS TO BE USED ONLY IN ACCORDANCE WITH THE EXPORT ADMINISTRATION REGULATIONS. DIVERSION CONTRARY TO U.S. LAW PROHIBITED.

1-Rev-01