



Main

| | |
|---------------------------|-------------------------|
| Range of Product | Harmony XAC |
| Product or Component Type | Pendant control station |
| Device short name | XACB |

Complementary

| | |
|--|--|
| Control station type | Double insulated |
| Enclosure Material | Glass reinforced polyester |
| Electrical circuit type | Power circuit |
| Enclosure Type | Complete ready for use |
| Control station application | Control of single speed hoist motor |
| Control station composition | 2 push-buttons |
| Control button type | First push-button 2-pole raise, slow Second push-button 2-pole lower, slow |
| Product compatibility | XESD1191 for reversing operation |
| Mechanical interlocking | With mechanical interlocking |
| Control station colour | Yellow |
| Connections - terminals | Screw clamp terminals, 1 x 2.5 mm ² with or without cable end Screw clamp terminals, 2 x 1.5 mm ² with or without cable end |
| Standards | CSA C22.2 No 14 EN/IEC 60947-5-1 EN/IEC 60204-32 |
| Product Certifications | CSA type 4 |
| Protective treatment | TH |
| Ambient Air Temperature for Operation | -13...158 °F (-25...70 °C) |
| Ambient Air Temperature for Storage | -40...158 °F (-40...70 °C) |
| Vibration resistance | 15 gn 10...500 Hz)IEC 60068-2-6 |
| Shock resistance | 100 gn IEC 60068-2-27 |
| Overvoltage category | Class II IEC 61140 |
| IP degree of protection | IP65 conforming to IEC 60529 |
| Mechanical durability | 1000000 cycles |
| Cable entry | Rubber sleeve with stepped entry 0.28...0.51 in (7...13 mm) |
| [I _{th}] conventional enclosed thermal current | 12 A |
| [U _i] rated insulation voltage | 500 V 3)IEC 60947-1 600 VCSA |
| [U _{imp}] rated impulse withstand voltage | 6 kV IEC 60947-1 |
| Contact operation | Snap action |
| Operating force | 17 N push-button |
| Short-circuit protection | 10 A fuse protection cartridge aM |
| Rated power in hp | 2 Hp 240 V, CSA 3 Hp 600 V, CSA 5 hp 400 V, CSA |

The information provided in this documentation contains general descriptions and/or technical characteristics of the performance of the products contained herein. This documentation is not intended as a substitute for and is not to be used for determining suitability or reliability of these products for specific user applications. It is the duty of any such user or integrator to perform the appropriate and complete risk analysis, evaluation and testing of the products with respect to the relevant specific application or use thereof. Neither Schneider Electric Industries SAS nor any of its affiliates or subsidiaries shall be responsible or liable for misuse of the information contained herein.

| | |
|-------------------------------|--|
| Rated operational power in W | 2200 W AC-3 240 V IEC 60947-3 appendix A 2200 W AC-3 400 V IEC 60947-3 appendix A 2200 W AC-4 240 V IEC 60947-3 appendix A 2200 W AC-4 400 V IEC 60947-3 appendix A |
| Electrical durability | 300000 Cycles AC-3, 2200 W 240 V 10 cyc/mn 0.4 IEC 60947-3 appendix A 300000 Cycles AC-3, 2200 W 400 V 10 cyc/mn 0.4 IEC 60947-3 appendix A 300000 Cycles AC-4, 2200 W 240 V 10 cyc/mn 0.4 IEC 60947-3 appendix A 300000 Cycles AC-4, 2200 W 400 V 10 cyc/mn 0.4 IEC 60947-3 appendix A 500000 Cycles AC-3, 1500 W 240 V 10 cyc/mn 0.4 IEC 60947-3 appendix A 500000 Cycles AC-4, 1500 W 240 V 10 cyc/mn 0.4 IEC 60947-3 appendix A 800000 Cycles AC-3, 1500 W 400 V 10 cyc/mn 0.4 IEC 60947-3 appendix A 800000 cycles AC-4, 1500 W 400 V 10 cyc/mn 0.4 IEC 60947-3 appendix A |
| Terminals description ISO n°1 | (43-44)NO (23-24)NO (13-14)NO (33-34)NO |
| Terminal identifier | (13-14)NO (11-12)NC |
| Net Weight | 0.78 lb(US) (0.355 kg) |

Ordering and shipping details

| | |
|-----------------------|----------------------------|
| Category | 22473-PUSHBUTTON, PENDANTS |
| Discount Schedule | CS2 |
| GTIN | 3389110636154 |
| Nbr. of units in pkg. | 1 |
| Package weight(Lbs) | 26.95 oz (764.0 g) |
| Returnability | No |
| Country of origin | CZ |

Packing Units

| | |
|------------------------------|------------------------|
| Unit Type of Package 1 | PCE |
| Package 1 Height | 4.13 in (10.5 cm) |
| Package 1 width | 4.53 in (11.5 cm) |
| Package 1 Length | 10.43 in (26.5 cm) |
| Unit Type of Package 2 | S03 |
| Number of Units in Package 2 | 6 |
| Package 2 Weight | 11.35 lb(US) (5.15 kg) |
| Package 2 Height | 11.81 in (30 cm) |
| Package 2 width | 11.81 in (30 cm) |
| Package 2 Length | 15.75 in (40 cm) |

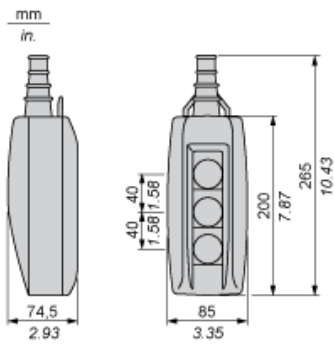
Offer Sustainability

| | |
|----------------------------|--|
| California proposition 65 | WARNING: This product can expose you to chemicals including: Nickel compounds, which is known to the State of California to cause cancer, and Di-isodecyl phthalate (DIDP), which is known to the State of California to cause birth defects or other reproductive harm. For more information go to www.P65Warnings.ca.gov |
| REACH Regulation | REACH Declaration |
| REACH free of SVHC | Yes |
| EU RoHS Directive | Pro-active compliance (Product out of EU RoHS legal scope) EU RoHS Declaration |
| Toxic heavy metal free | Yes |
| Mercury free | Yes |
| RoHS exemption information | Yes |
| China RoHS Regulation | China RoHS Declaration |
| WEEE | The product must be disposed on European Union markets following specific waste collection and never end up in rubbish bins. |

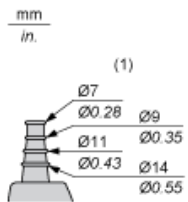
Contractual warranty

| | |
|----------|-----------|
| Warranty | 18 months |
|----------|-----------|

Dimensions



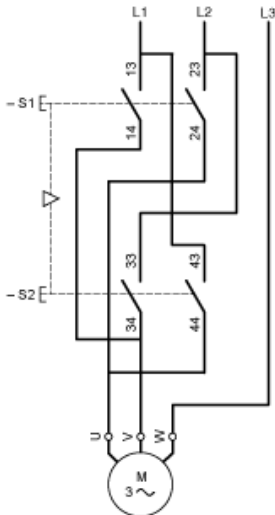
Protective cable sleeves



(1) Internal \varnothing

Control of Single-Speed Reversing Motor 2-Phase Switching

With XESD1191 contact block, to be ordered separately



Combined with 3-pole isolating block XACS399 or XACS3991, shown in the unoperated position (pendant station "supplied"), fitted with key release trigger action latching Emergency stop operator.

