

698 to 2700 MHz Omni Antenna 6.5 dBi Gain, 8 mm Spring  
SMA Male Connector, White Fiberglass Radome



## LCANOM1072

### Features

- Heavy Duty 8mm Spring Diameter
- Vertically Polarized
- 6.5 dBi Gain
- SMA Male Connector
- 14.75 ft RG58 Cable
- White Fiberglass Radome

### Applications

- Offroad/Overland Vehicles
- Mining/Industrial Heavy Equipment
- Commercial Trucking
- Fleet Management
- Farm Equipment

### Description

The L-com LCANOM1072 is a single band antenna that ships on the same day as ordered. Our vertical polarized antenna with 698 to 2700 MHz frequency range has a SMA male connectors. This antenna with a white radome made of fiberglass has an overall length of 31.54 in, a width of 2 in, and a weight of 3.52 lbs.

L-com's LCANOM1072 is a single band antenna operating from 698 to 2700 MHz with 6.5 dBi gain. The omni directional antenna has a maximum input VSWR of 1.5:1.

L-com has one of the largest in-stock collections of omni directional antennas with our wide selection of superior quality RF parts, that ship same day. Make your online purchase right now to take advantage of our same-day shipping. For further information on similar products, our expert technical support and knowledgeable sales team can help you get the ideal single band antenna as per your requirement.

### Configuration

Band Type	Single
Radiation Pattern	Omni Directional
Polarization	Vertical
Connector Type	FME Male

### Electrical Specifications

Description	Minimum	Typical	Maximum	Units
Frequency Range	698		2,700	MHz
Input VSWR			1.5:1	
Impedance		50		Ohms
Gain		6.5		dBi
Input Power			100	Watts

### Mechanical Specifications

Click the following link (or enter part number in "SEARCH" on website) to obtain additional part information including price, inventory and certifications:  
[698 to 2700 MHz Omni Antenna 6.5 dBi Gain, 8 mm Spring SMA Male Connector, White Fiberglass Radome LCANOM1072](#)

698 to 2700 MHz Omni Antenna 6.5 dBi Gain, 8 mm Spring  
SMA Male Connector, White Fiberglass Radome



## LCANOM1072

Radome Material	Fiberglass
<b>Size</b>	
Length	31.54 in [801.12 mm]
Width	2 in [50.8 mm]
Height	2 in [50.8 mm]
Weight	3.52 lbs [1.6 kg]

### Environmental Specifications

<b>Temperature</b>	
Operating Range	-40 to +80 deg C

**Compliance Certifications** (see [product page](#) for current document)

### Plotted and Other Data

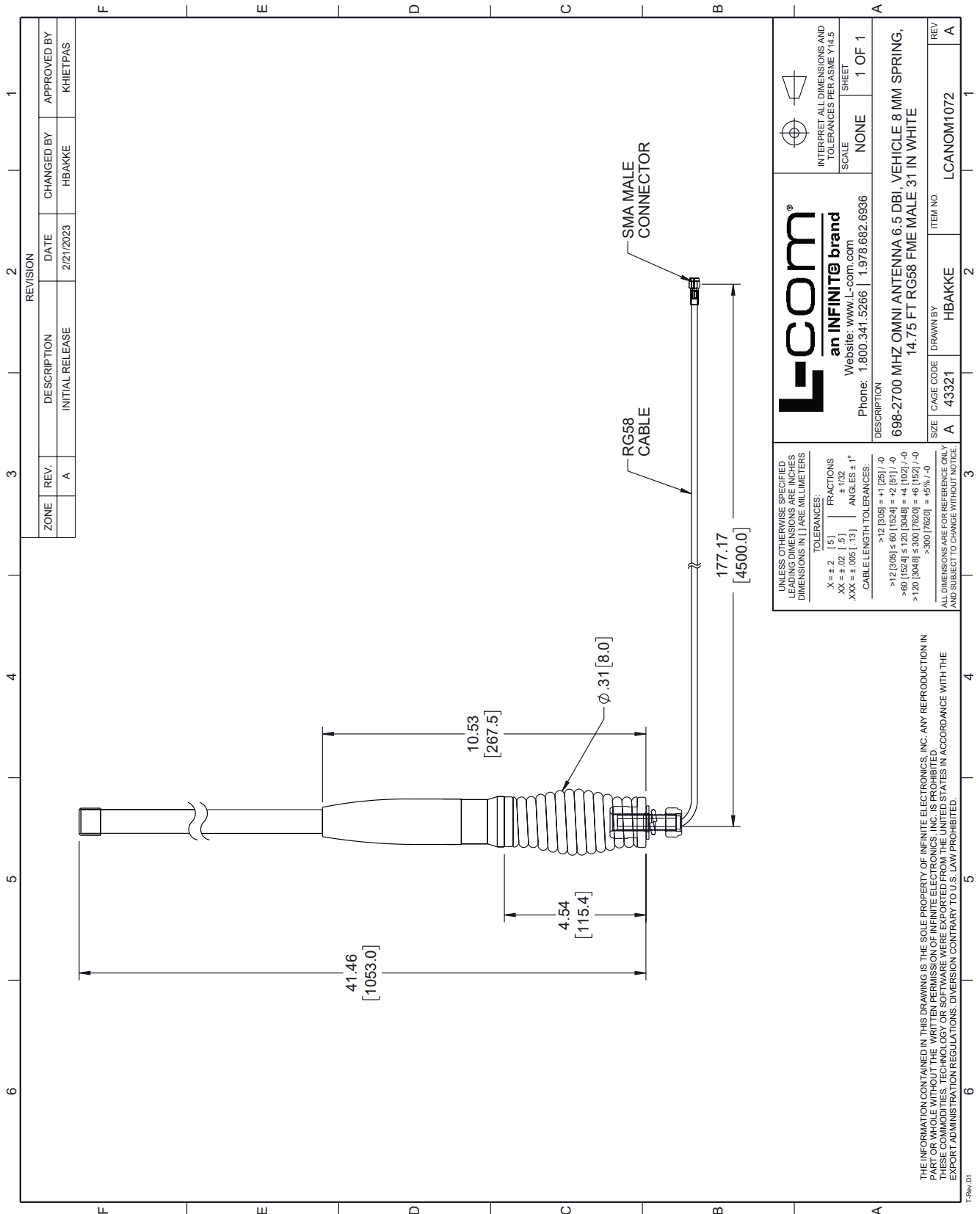
Notes:

698 to 2700 MHz Omni Antenna 6.5 dBi Gain, 8 mm Spring SMA Male Connector, White Fiberglass Radome from L-com has same day shipment for domestic and International orders. Our portfolio includes coaxial cable assemblies, connectors, adapters and custom products as well as lightning and surge protectors, NEMA rated enclosures, and an RF product line which includes antennas, amplifiers, passive, and active components.

The information contained within this document is accurate to the best of our knowledge and representative of the part described herein. It may be necessary to make modifications to the part and/or the documentation of the part in order to impliment improvements. L-com reserves the right to make such changes as required. Unless otherwise stated, all specifications are nominal. L-com does not make any representation or warranty regarding the suitability of the part described herein for any particular purpose, and L-com does not assume liability arising out of the use of any part or document.

698 to 2700 MHz Omni Antenna 6.5 dBi Gain, 8 mm Spring SMA Male Connector, White Fiberglass Radome

L-com CAD Drawing



REVISION			
ZONE	REV.	DESCRIPTION	DATE
	A	INITIAL RELEASE	2/21/2023
		CHANGED BY	HBAKKE
		APPROVED BY	KHIETPAS

**L-com**  
an INFINITE brand  
Website: www.L-com.com  
Phone: 1.800.341.5266 | 1.978.682.6936

INTERPRET ALL DIMENSIONS AND TOLERANCES PER ASME Y14.5  
SCALE NONE SHEET 1 OF 1

DESCRIPTION  
698-2700 MHz OMNI ANTENNA 6.5 DBI, VEHICLE 8 MM SPRING, 14.75 FT RG58 FME MALE 31 IN WHITE

UNLESS OTHERWISE SPECIFIED LEADING DIMENSIONS ARE INCHES DIMENSIONS IN [ ] ARE MILLIMETERS  
TOLERANCES:  
X = +.2 [5] FRACTIONS  
XX = +.02 [5] ANGLES ± 1°  
XXX = ±.005 [13]  
CABLE LENGTH TOLERANCES:  
>12 [305] = +1 [25] / -0  
>60 [1524] = +2 [51] / -0  
>120 [3048] = +4 [102] / -0  
>300 [7620] = +6 [152] / -0  
ALL DIMENSIONS ARE FOR REFERENCE ONLY AND SUBJECT TO CHANGE WITHOUT NOTICE

ITEM NO. LCOM1072  
CAGE CODE HBAKKE  
DRAWN BY HBAKKE  
SIZE A  
43321

THE INFORMATION CONTAINED IN THIS DRAWING IS THE SOLE PROPERTY OF INFINITE ELECTRONICS, INC. ANY REPRODUCTION IN PART OR WHOLE WITHOUT THE WRITTEN PERMISSION OF INFINITE ELECTRONICS, INC. IS PROHIBITED. THESE COMMODITIES, TECHNOLOGY OR SOFTWARE WERE EXPORTED FROM THE UNITED STATES IN ACCORDANCE WITH THE EXPORT ADMINISTRATION REGULATIONS. DIVERSION CONTRARY TO U.S. LAW PROHIBITED.

T-Rev: 01