

698 to 2700 MHz Omni Antenna 6.5 dBi Gain, 8 mm Spring
SMA Male Connector, Black Fiberglass Radome



LCANOM1071

Features

- Heavy Duty 8mm Spring Diameter
- Vertically Polarized
- 6.5 dBi Gain
- SMA Male Connector
- 14.75 ft RG58 Cable
- Black Fiberglass Radome

Applications

- Offroad/Overland Vehicles
- Mining/Industrial Heavy Equipment
- Commercial Trucking
- Fleet Management
- Farm Equipment

Description

The L-com LCANOM1071 is a single band antenna that ships on the same day as ordered. Our vertical polarized antenna with 698 to 2700 MHz frequency range has a SMA male connectors. This antenna with a black radome made of fiberglass has an overall length of 31.54 in, a width of 2 in, and a weight of 3.52 lbs.

L-com's LCANOM1071 is a single band antenna operating from 698 to 2700 MHz with 6.5 dBi gain. The omni directional antenna has a maximum input VSWR of 1.5:1.

L-com has one of the largest in-stock collections of omni directional antennas with our wide selection of superior quality RF parts, that ship same day. Make your online purchase right now to take advantage of our same-day shipping. For further information on similar products, our expert technical support and knowledgeable sales team can help you get the ideal single band antenna as per your requirement.

Configuration

Band Type	Single
Radiation Pattern	Omni Directional
Polarization	Vertical
Connector Type	SMA Male

Electrical Specifications

Description	Minimum	Typical	Maximum	Units
Frequency Range	698		2,700	MHz
Input VSWR			1.5:1	
Impedance		50		Ohms
Gain		6.5		dBi
Input Power			100	Watts

Mechanical Specifications

Click the following link (or enter part number in "SEARCH" on website) to obtain additional part information including price, inventory and certifications:
[698 to 2700 MHz Omni Antenna 6.5 dBi Gain, 8 mm Spring SMA Male Connector, Black Fiberglass Radome LCANOM1071](#)

698 to 2700 MHz Omni Antenna 6.5 dBi Gain, 8 mm Spring
SMA Male Connector, Black Fiberglass Radome

LCANOM1071



Radome Material	Fiberglass
Size	
Length	31.54 in [801.12 mm]
Width	2 in [50.8 mm]
Height	2 in [50.8 mm]
Weight	3.52 lbs [1.6 kg]

Environmental Specifications

Temperature

Operating Range -40 to +80 deg C

Compliance Certifications (see [product page](#) for current document)

Plotted and Other Data

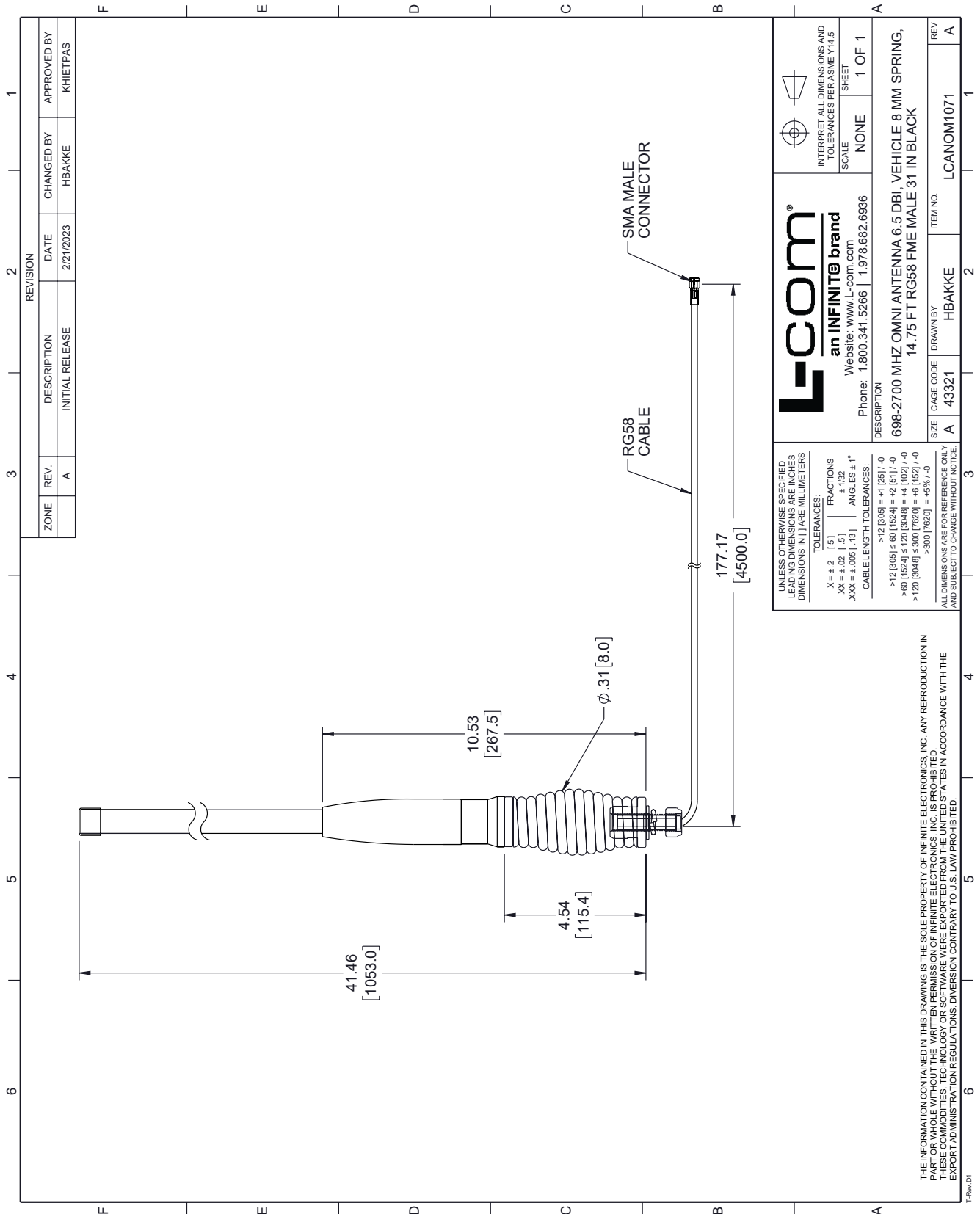
Notes:

698 to 2700 MHz Omni Antenna 6.5 dBi Gain, 8 mm Spring SMA Male Connector, Black Fiberglass Radome from L-com has same day shipment for domestic and International orders. Our portfolio includes coaxial cable assemblies, connectors, adapters and custom products as well as lightning and surge protectors, NEMA rated enclosures, and an RF product line which includes antennas, amplifiers, passive, and active components.

The information contained within this document is accurate to the best of our knowledge and representative of the part described herein. It may be necessary to make modifications to the part and/or the documentation of the part in order to impliment improvements. L-com reserves the right to make such changes as required. Unless otherwise stated, all specifications are nominal. L-com does not make any representation or warranty regarding the suitability of the part described herein for any particular purpose, and L-com does not assume liability arising out of the use of any part or document.

698 to 2700 MHz Omni Antenna 6.5 dBi Gain, 8 mm Spring SMA Male Connector, Black Fiberglass Radome

L-com CAD Drawing



REVISION			
ZONE	REV.	DESCRIPTION	DATE
	A	INITIAL RELEASE	2/21/2023

APPROVED BY	CHANGED BY
KHIETPAS	HBAKKE

L-com
an INFINITE brand
Website: www.L-com.com
Phone: 1.800.341.5266 | 1.978.682.6936

INTERPRET ALL DIMENSIONS AND TOLERANCES PER ASME Y14.5
SCALE NONE
SHEET 1 OF 1

UNLESS OTHERWISE SPECIFIED LEADING DIMENSIONS ARE INCHES DIMENSIONS IN [] ARE MILLIMETERS
TOLERANCES:
X = +.2 [5] FRACTIONS
XX = +.02 [5] ANGLES ± 1°
XXX = ±.005 [13]
CABLE LENGTH TOLERANCES:
>12 [305] = ±1 [25] / -0
>60 [1524] = ±2 [51] / -0
>120 [3048] = ±4 [102] / -0
>300 [7620] = ±6 [152] / -0
ALL DIMENSIONS ARE FOR REFERENCE ONLY AND SUBJECT TO CHANGE WITHOUT NOTICE

DESCRIPTION
698-2700 MHz OMNI ANTENNA 6.5 DBI, VEHICLE 8 MM SPRING, 14.75 FT RG58 FME MALE 31 IN BLACK

ITEM NO. LCOM1071
CAGE CODE HBAKKE
DRAWN BY HBAKKE

THE INFORMATION CONTAINED IN THIS DRAWING IS THE SOLE PROPERTY OF INFINITE ELECTRONICS, INC. ANY REPRODUCTION IN PART OR WHOLE WITHOUT THE WRITTEN PERMISSION OF INFINITE ELECTRONICS, INC. IS PROHIBITED. THESE COMMODITIES, TECHNOLOGY OR SOFTWARE WERE EXPORTED FROM THE UNITED STATES IN ACCORDANCE WITH THE EXPORT ADMINISTRATION REGULATIONS. DIVERSION CONTRARY TO U.S. LAW PROHIBITED.

T-Rev: 01