

16.1	14.3	10.65	9.5	52746-2070	52746-2019	20
15.6	13.8	10.15	9.0	-1970	-1919	19
15.1	13.3	9.65	8.5	-1870	-1819	18
14.6	12.8	9.15	8.0	-1770	-1719	17
14.1	12.3	8.65	7.5	-1670	-1619	16
13.6	11.8	8.15	7.0	-1570	-1519	15
13.1	11.3	7.65	6.5	-1470	-1419	14
12.6	10.8	7.15	6.0	-1370	-1319	13
12.1	10.3	6.65	5.5	-1270	-1219	12
11.6	9.8	6.15	5.0	-1170	-1119	11
11.1	9.3	5.65	4.5	-1070	-1019	10
10.6	8.8	5.15	4.0	-0970	-0919	9
10.1	8.3	4.65	3.5	-0870	-0819	8
9.6	7.8	4.15	3.0	-0770	-0719	7
9.1	7.3	3.65	2.5	-0670	-0619	6
8.1	6.3	2.65	1.5	52746-0470	52746-0419	4
D	C	B	(A)	EMBOSSD TAPE	MATERIAL NO.	極数
				ORDER No. オーダー番号		CIRCUITS

52746-**19 MODEL NO.

THIS DRAWING CONTAINS INFORMATION THAT IS PROPRIETARY TO MOLEX ELECTRONIC TECHNOLOGIES, LLC AND SHOULD NOT BE USED WITHOUT WRITTEN PERMISSION

DIMENSION UNITS	SCALE	CURRENT REV DESC.
mm	NTS	
GENERAL TOLERANCES (UNLESS SPECIFIED)		
ANGULAR TOL	± 3.0°	
4 PLACES	± 0.2	
3 PLACES	± 0.25	
2 PLACES	± 0.3	
1 PLACE	±	
0 PLACES	±	
DRAFT WHERE APPLICABLE MUST REMAIN WITHIN DIMENSIONS		
THIRD ANGLE PROJECTION	DRAWING	SERIES
⊕	A3-SIZE	52746

EC NO: 719890
 DRWN: NARENC 2022/08/24
 CHK'D: SMARUYAMA 2022/09/05
 APPR: YNAITO 2022/09/05

INITIAL REVISION:
 DRWN: MNABEI 2008/06/27
 APPR: NUKITA 2008/06/30

molex

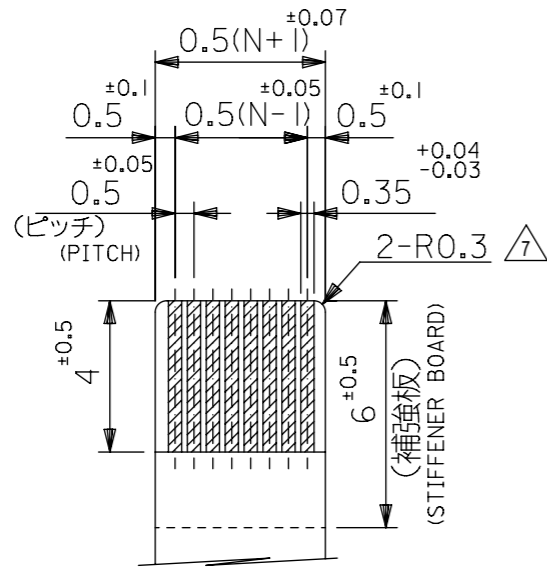
0.5 FPC CONN. ZIF SMT
 R/A -LEAD FREE-

PRODUCT CUSTOMER DRAWING

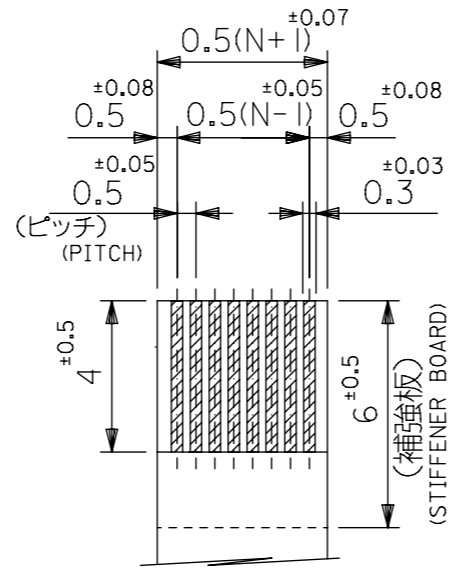
DOCUMENT NUMBER	DOC TYPE	DOC PART	REVISION
SD-52746-028	PSD	001	F

MATERIAL NUMBER: 52746-028
 CUSTOMER: GENERAL MARKET
 SHEET NUMBER: 1 OF 2

GENERAL TOLERANCES (UNLESS SPECIFIED)	
10 ^{UNDER}	±0.2
10 ^{OVER} 30 ^{UNDER}	±0.25
30 ^{OVER}	±0.3
ANGULAR	±3°



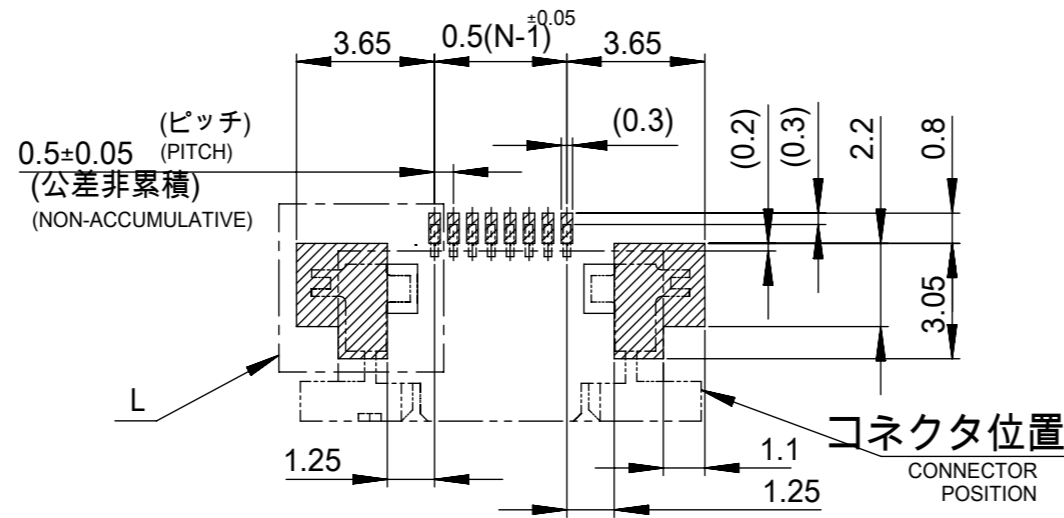
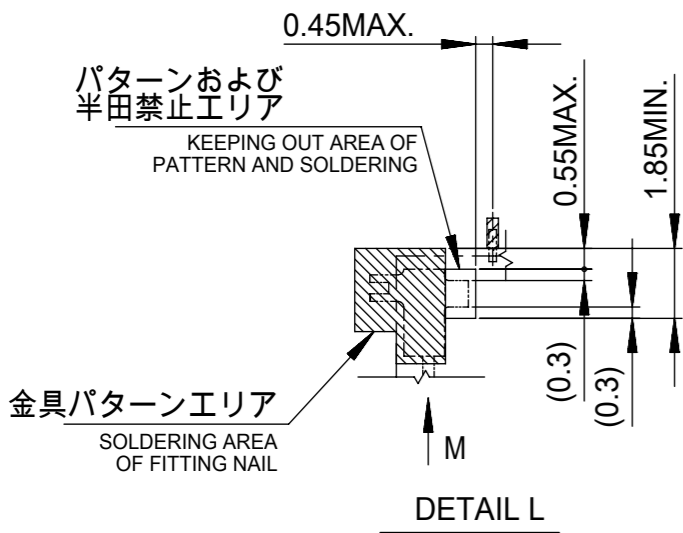
適合FPC推奨寸法
APPLICABLE FPC
RECOMMENDED DIMENSION.
(仕上がり厚さ: 0.3 ± 0.05)
(THICKNESS: 0.3 ± 0.05)



適合FFC推奨寸法
APPLICABLE FFC
RECOMMENDED DIMENSION.
(仕上がり厚さ: 0.3 ± 0.05)
(THICKNESS: 0.3 ± 0.05)

注記 NOTES

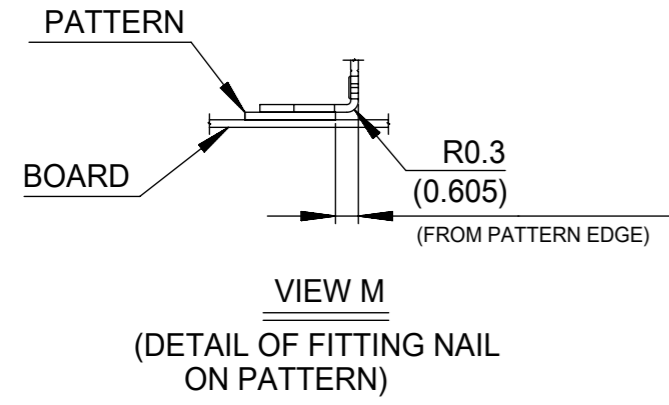
1. 使用材料 MATERIAL
 ハウジング : 46ナイロン、UL94V-0
 HOUSING : 46NYLON
 アクチュエータ : PPS、UL94V-0
 ACTUATOR
 ターミナル : リン青銅(+0.2) ニッケル下地・錫ビスマスマッキ
 TERMINAL PHOS-BRO,TIN-BITHMUS OVER NICKEL PLATED
 金具 : リン青銅(+0.2) ニッケル下地、錫メッキ
 FITTING NAIL PHOS-BRO,TIN OVER NICKEL PLATED
2. エンボステープ梱包時は、アクチュエータがロックした状態とする。
 IN THE PACKAGE,ACTUATOR OF PART NO.52746-**-19 SHOULD BE LOCKED.
- △3 ソルダータール半田付け面のズレ量、及び金具半田付け面のズレ量は、基準面 H に対し上方向 0.1MAX.、下方向 0.15MAX.とする。
 MISALIGNMENT OF SOLDER TAILS AND FITTING NAILS FROM H UPPER DIRECTION: 0.1MAX. , LOWER DIRECTION: 0.15MAX.
- △4 偶数極に適用。
 APPLY FOR EVEN CIRCUIT.
- △5 パターンはくり止め用金具
 FITTING NAIL FOR PREVENTION OF PEELING OF P.C.B. PATTERN.
- 6 本製品は 52746-**-17 の鉛フリー品です。
 THIS PRODUCT IS LEAD FREE OF 52746-**-17
- △7 R0.3は、FPCの導体部にかからないこと。
 R0.3 MUST NOT BE OVERLAPPED TO PATTERN OF FPC.



参考基板レイアウト
(マウント面)

RECOMMENDED P.C.BOARD
PATTERN DIMENSION (REF.)
(MOUNTING SIDE)

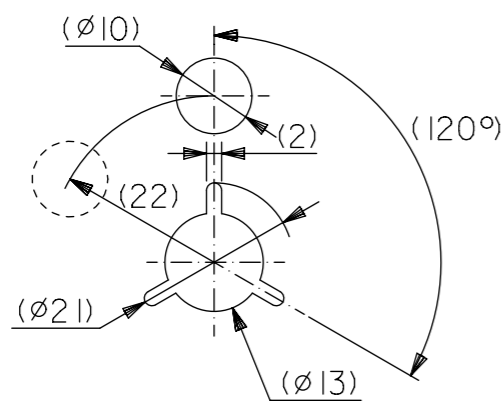
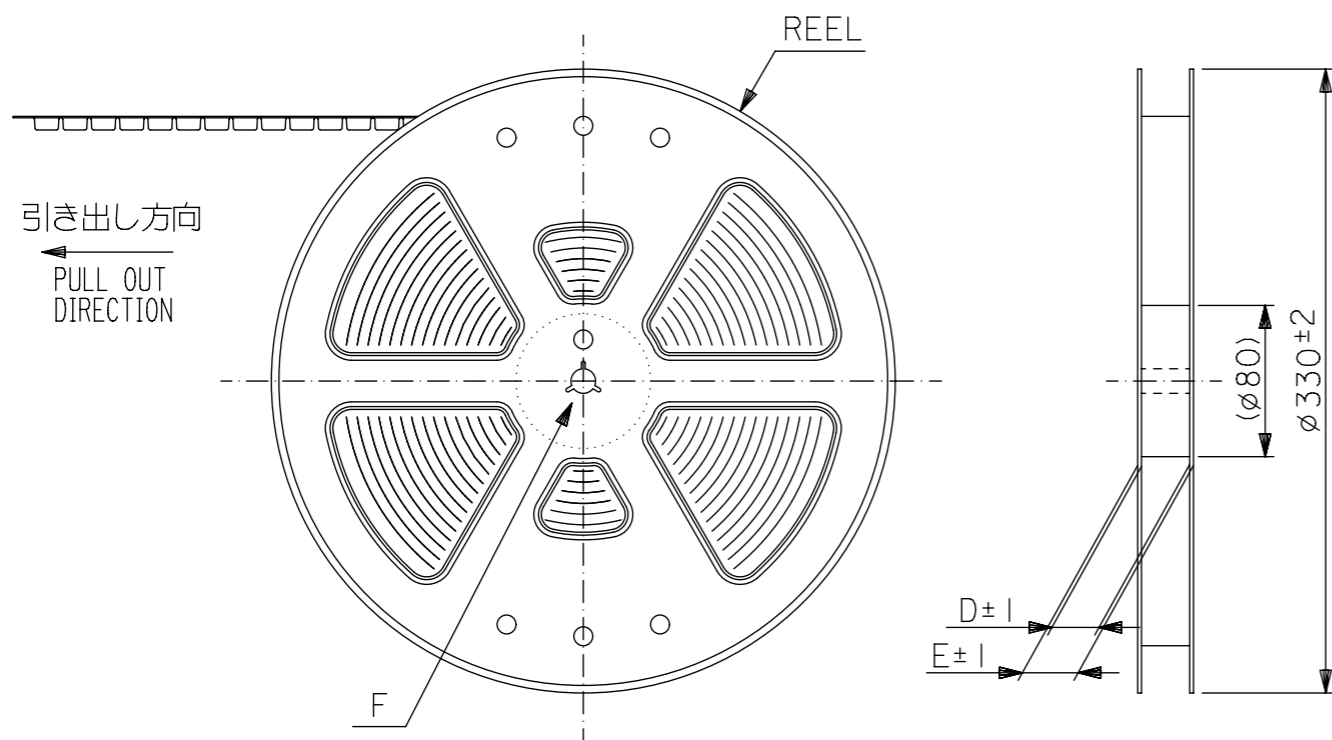
FPCについて:
 打抜き方向は導体側から補強板を推奨致します。
 補強フィルム材質はポリイミドを推奨致します。
 接着剤は熱硬化接着剤を推奨致します。
 ABOUT FPC:
 RECOMMENDED PUNCHER DIRECTION : FROM CONDUCTOR SIDE TO STIFFENER BOARD SIDE.
 RECOMMENDED MATERIAL :
 STIFFENER FILM : POLYIMIDE
 BONDING AGENT : THERMOSETTING BONDING AGENT



VIEW M
(DETAIL OF FITTING NAIL
ON PATTERN)

GENERAL TOLERANCES (UNLESS SPECIFIED)	
10 ^{UNDER}	±0.2
10 ^{OVER} 30 ^{UNDER}	±0.25
30 ^{OVER}	±0.3
ANGULAR	±3°

THIS DRAWING CONTAINS INFORMATION THAT IS PROPRIETARY TO MOLEX ELECTRONIC TECHNOLOGIES, LLC AND SHOULD NOT BE USED WITHOUT WRITTEN PERMISSION		52746-**-19		MODEL NO.	
DIMENSION UNITS	SCALE	CURRENT REV DESC:			
mm	NTS	molex			
GENERAL TOLERANCES (UNLESS SPECIFIED)		0.5 FPC CONN. ZIF SMT R/A -LEAD FREE-			
ANGULAR TOL ± 3.0°		PRODUCT CUSTOMER DRAWING			
4 PLACES ± 0.2	EC NO: 719890	DOCUMENT NUMBER			
3 PLACES ± 0.25	DRWN: NARENC 2022/08/24	DOC TYPE DOC PART REVISION			
2 PLACES ± 0.3	CHK'D: SMARUYAMA 2022/09/05	SD-52746-028			
1 PLACE ±	APPR: YNAITO 2022/09/05	PSD 001 F			
0 PLACES ±	INITIAL REVISION:	SHEET NUMBER			
DRAFT WHERE APPLICABLE MUST REMAIN WITHIN DIMENSIONS		DRWN: MNABEI 2008/06/27	SERIES	MATERIAL NUMBER	CUSTOMER
THIRD ANGLE PROJECTION		2008/06/30	52746	GENERAL MARKET	2 OF 2
DRAWING		SERIES		SHEET NUMBER	
A3-SIZE		52746		2 OF 2	



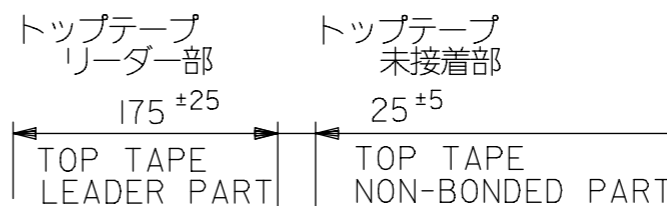
DETAIL F

注記 NOTES

1. 製品番号 52746-**19 の梱包状態はアクチュエータがロックした状態とする。
 詳細寸法については図面 SD-52746-028 を参照下さい。
 IN THE PACKAGE,ACTUATOR OF PART NO.52746-**19 SHOULD BE LOCKED
 RE DETAILED DIMENSIONS,SEE SD-52746-028.

2. 梱包数量：1000個/リール
 NUMBER OF CONNECTORS:1000PCS/REEL

3. リードテープ長さ LEAD TAPE LENGTH



4. 材料 キャリアテープ：ポリプロピレン (PP)
 トップテープ：PET, PE, PEF
 リール：ポリスチレン (PS) <リサイクル材を含む>

MATERIAL CARRIER TAPE:POLYPROPYLENE
 TOP TAPE:PET,PE,PEF
 REEL:POLYSTYREN(PS)
 <RECYCLE MATERIAL CONTAINED>

5. 本製品は 52746-**90 の鉛フリー品です

THIS PRODUCT IS LEAD FREE OF 52746-**90

6.本製品は乾燥剤入り、ハイバリア梱包仕様である。
 THIS PRODUCT IS HIGH BARRIER PACKAGE WITH DESICCANT.

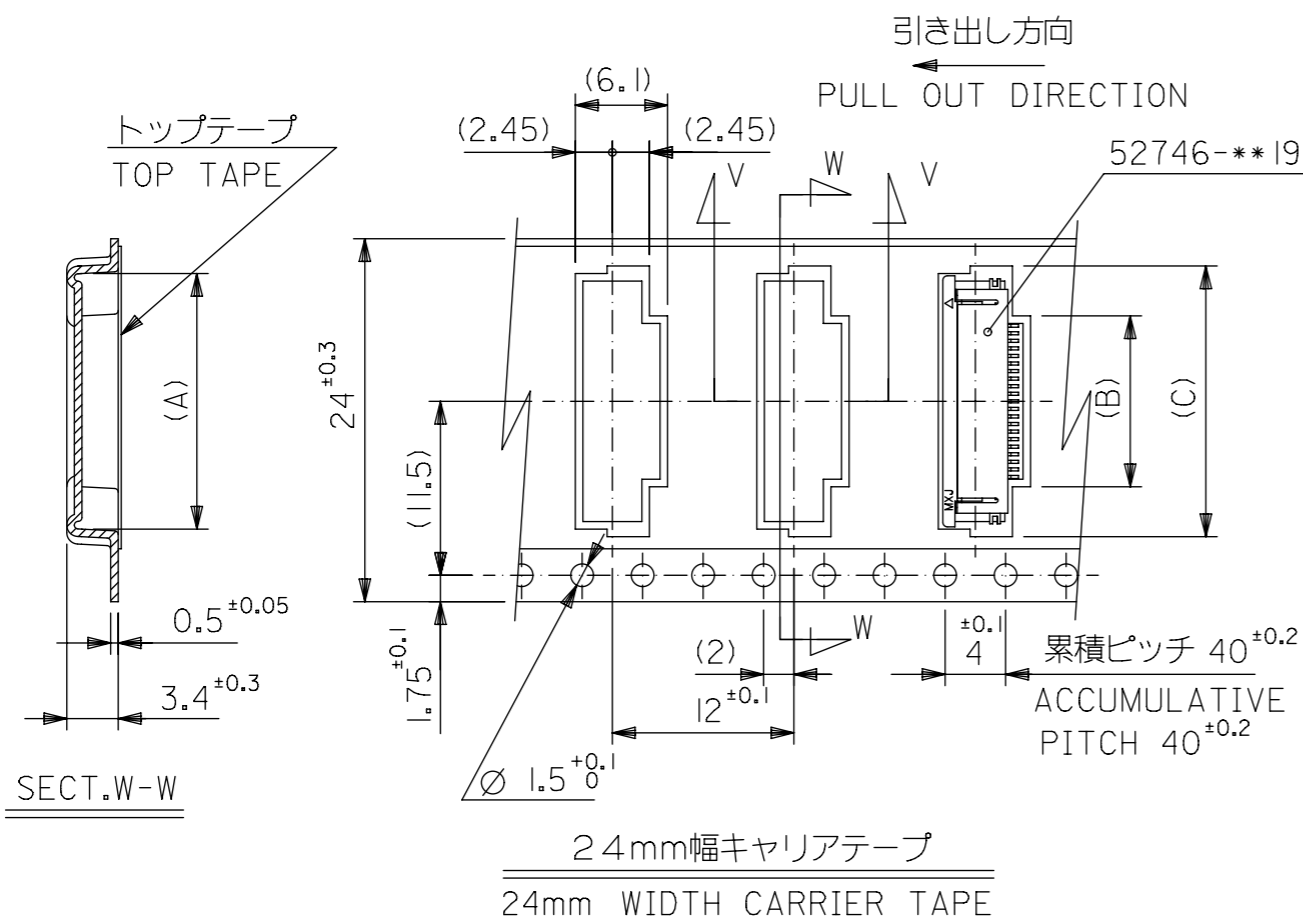
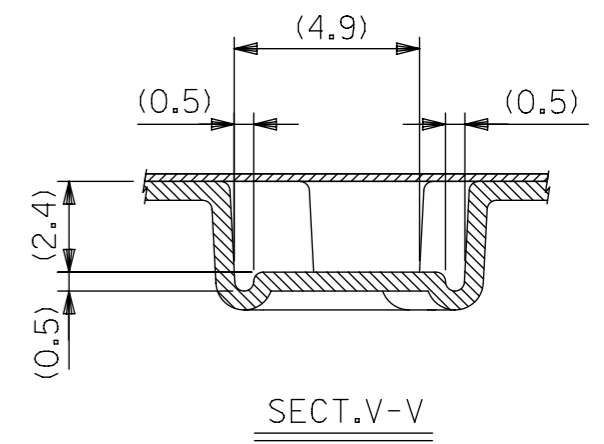
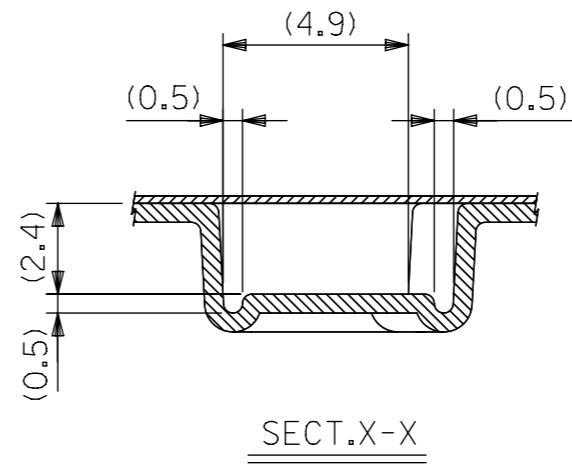
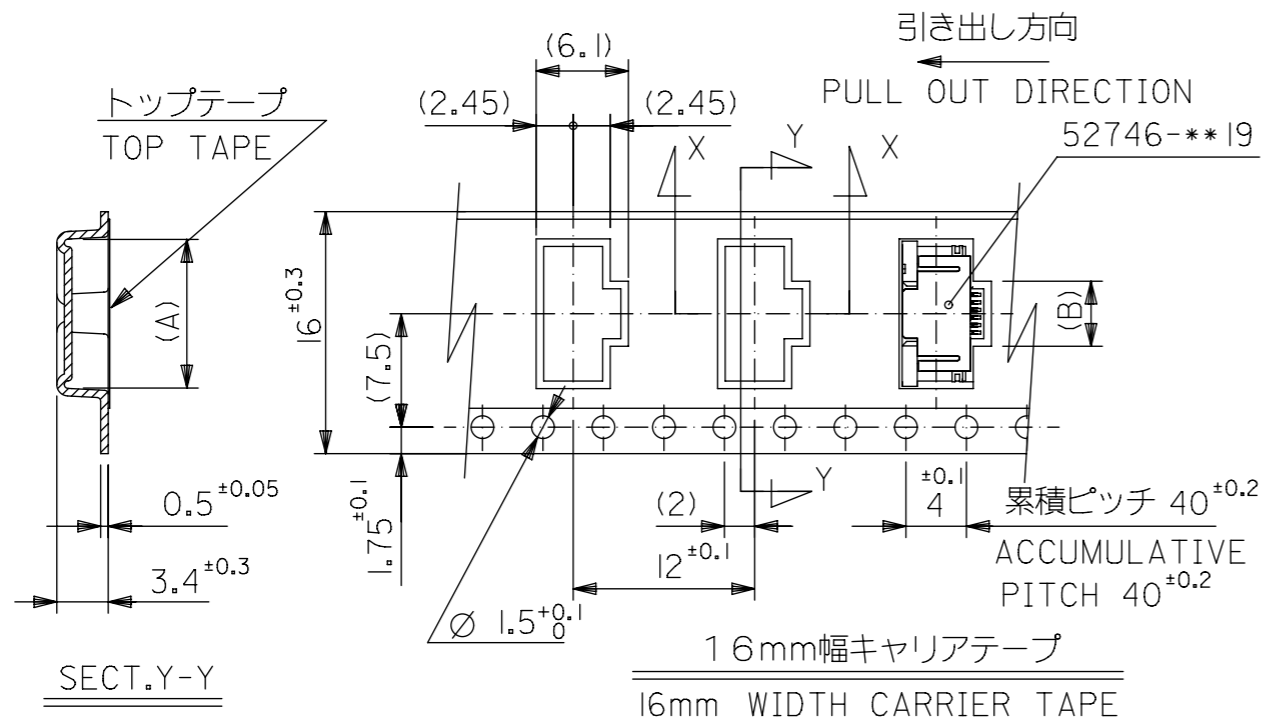
52746-**70

MODEL NO.

THIS DRAWING CONTAINS INFORMATION THAT IS PROPRIETARY TO MOLEX ELECTRONIC TECHNOLOGIES, LLC AND SHOULD NOT BE USED WITHOUT WRITTEN PERMISSION

DIMENSION UNITS	SCALE	CURRENT REV DESC:	
mm	NTS		
GENERAL TOLERANCES (UNLESS SPECIFIED)		molex	
ANGULAR TOL ± °		0.5 FPC CONN ZIF SMT RA -LEAD FREE-	
4 PLACES ±		PRODUCT CUSTOMER DRAWING	
3 PLACES ±		DOCUMENT NUMBER	
2 PLACES ±		SD-52746-029	
1 PLACE ±		DOC TYPE	
0 PLACES ±		PSD	
DRAFT WHERE APPLICABLE MUST REMAIN WITHIN DIMENSIONS		DOC PART	
THIRD ANGLE PROJECTION		003	
DRAWING		REVISION	
A3-SIZE		E	
SERIES		SHEET NUMBER	
52746		1 OF 2	
MATERIAL NUMBER		CUSTOMER	
SEE TABLE		GENERAL MARKET	

GENERAL TOLERANCES (UNLESS SPECIFIED)	
10 ^{UNDER}	±0.2
10 ^{OVER} 30 ^{UNDER}	±0.25
30 ^{OVER}	±0.3
ANGULAR	±3 °



24	29.4	25.4	17.4	10.8	16.4	52746-2070	20
			16.9	10.3	15.9	-1970	19
			16.4	9.8	15.4	-1870	18
			15.9	9.3	14.9	-1770	17
			15.4	8.8	14.4	-1670	16
			14.9	8.3	13.9	-1570	15
			14.4	7.8	13.4	-1470	14
			13.9	7.3	12.9	-1370	13
			13.4	6.8	12.4	-1270	12
			12.9	6.3	11.9	-1170	11
			12.4	5.8	11.4	-1070	10
11.9	5.3	10.9	-0970	9			
11.4	4.8	10.4	-0870	8			
10.9	4.3	9.9	-0770	7			
10.4	3.8	9.4	-0670	6			
16	21.4	17.4	2.8	8.4	52746-0470	4	
キャリアテープ幅 CARRIER TAPE WIDTH	E	D	(C)	(B)	(A)	MATERIAL NO.	極数 CIRCUITS

GENERAL TOLERANCES (UNLESS SPECIFIED)

10 ^{UNDER}	±0.2
10 ^{OVER} 30 ^{UNDER}	±0.25
30 ^{OVER}	±0.3
ANGULAR	±3°

THIS DRAWING CONTAINS INFORMATION THAT IS PROPRIETARY TO MOLEX ELECTRONIC TECHNOLOGIES, LLC AND SHOULD NOT BE USED WITHOUT WRITTEN PERMISSION

SCALE: mm NTS

GENERAL TOLERANCES (UNLESS SPECIFIED): ANGULAR TOL ± °

4 PLACES ± °

3 PLACES ± °

2 PLACES ± °

1 PLACE ± °

0 PLACES ± °

DRAFT WHERE APPLICABLE MUST REMAIN WITHIN DIMENSIONS

THIRD ANGLE PROJECTION

DRAWING: A3-SIZE

SERIES: 52746

MATERIAL NUMBER: SEE TABLE

CUSTOMER: GENERAL MARKET

SHEET NUMBER: 2 OF 2

EC NO: 719890

DRWN: MNABEI

APPR: NUKITA

2022/08/24

2022/09/05

2022/09/05

2008/06/27

2008/06/30

molex

0.5 FPC CONN ZIF SMT RA -LEAD FREE-

PRODUCT CUSTOMER DRAWING

DOCUMENT NUMBER: SD-52746-029

DOC TYPE: PSD

DOC PART: 003

REVISION: E