

注記 NOTES

1. 使用材料 MATERIAL
- ハウジング : ポリアミド46、ガラス充填、UL94V-0 (白)  
HOUSING : POLYAMIDE46, GLASS FILLED, UL94V-0(WHITE)
- アクチュエータ : ポリフェニレンサルファイド、ガラス充填、UL94V-0 (黒)  
ACTUATOR : POLYPHENYLENE SULFIDE, GLASS FILLED, UL94V-0(BLACK)
- ターミナル : リン青銅、ニッケル下地錫ピスマスメッキ (t=0.2)  
TERMINAL : PHOSPOR BRONZE, TIN-BISMUTH OVER NICKEL PLATING
- 金具 : リン青銅、ニッケル下地純錫メッキ (t=0.2)  
FITTING NAIL : PHOSPOR BRONZE, TIN OVER NICKEL PLATING
2. エンボステープ梱包時は、アクチュエータがロックした状態とする。  
IN THE PACKAGE, ACTUATOR OF PART NO. 52745-\*\*\*19 SHOULD BE LOCKED.
- △3 ソルダータール半田付け面のズレ量、及び金具半田付け面のズレ量は、基準面 H に対し上方向 0.1 MAX.、下方向 0.15 MAX. とする。  
MISALIGNMENT OF SOLDER TAILS AND FITTING NAILS FROM H  
UPPER DIRECTION: 0.1 MAX., LOWER DIRECTION: 0.15 MAX.
- △4 偶数極に適用。  
APPLY FOR EVEN CIRCUIT.
- △5 パターンはくり止め用金具  
FITTING NAIL FOR PREVENTION OF PEELING OF P.C.B. PATTERN.
6. 本製品は 52745-\*\*\*17 の鉛フリー品である。  
THIS PRODUCT IS LEAD FREE OF 52745-\*\*\*17
- △6 R0.3は、FPCの導体部にかからないこと。  
R0.3 MUST NOT BE OVERLAPPED TO PATTERN OF FPC.

16.1	14.3	10.65	9.5	52745-2096	52745-2019	20
15.6	13.8	10.15	9.0	-1996	-1919	19
15.1	13.3	9.65	8.5	-1896	-1819	18
14.6	12.8	9.15	8.0	-1796	-1719	17
14.1	12.3	8.65	7.5	-1696	-1619	16
13.6	11.8	8.15	7.0	-1596	-1519	15
13.1	11.3	7.65	6.5	-1496	-1419	14
12.6	10.8	7.15	6.0	-1396	-1319	13
12.1	10.3	6.65	5.5	-1296	-1219	12
11.6	9.8	6.15	5.0	-1196	-1119	11
11.1	9.3	5.65	4.5	-1096	-1019	10
10.6	8.8	5.15	4.0	-0996	-0919	9
10.1	8.3	4.65	3.5	-0896	-0819	8
9.6	7.8	4.15	3.0	-0796	-0719	7
9.1	7.3	3.65	2.5	-0696	-0619	6
8.1	6.3	2.65	1.5	52745-0496	52745-0419	4
D	C	B	(A)	EMBOSSED TAPE	MATERIAL NO.	極数
				ORDER No. オーダー番号		CIRCUIT

52745-\*\*\*19 MODEL NO.

THIS DRAWING CONTAINS INFORMATION THAT IS PROPRIETARY TO MOLEX ELECTRONIC TECHNOLOGIES, LLC AND SHOULD NOT BE USED WITHOUT WRITTEN PERMISSION

DIMENSION UNITS: mm SCALE: NTS

CURRENT REV DESC:

GENERAL TOLERANCES (UNLESS SPECIFIED)

ANGULAR TOL ± °

4 PLACES ±

3 PLACES ±

2 PLACES ±

1 PLACE ±

0 PLACES ±

DRAFT WHERE APPLICABLE MUST REMAIN WITHIN DIMENSIONS

THIRD ANGLE PROJECTION

DRAWING: A3-SIZE

SERIES: 52745

MATERIAL NUMBER: SEE TABLE

CUSTOMER: GENERAL MARKET

SHEET NUMBER: 1 OF 2

EC NO: 719890  
DRWN: NARENC 2022/08/24  
CHK'D: SMARUYAMA 2022/09/05  
APPR: YNAITO 2022/09/05

INITIAL REVISION:  
DRWN: TUENO 2004/01/14  
APPR: MSASAO 2004/01/19

PRODUCT CUSTOMER DRAWING

DOCUMENT NUMBER: SD-52745-048

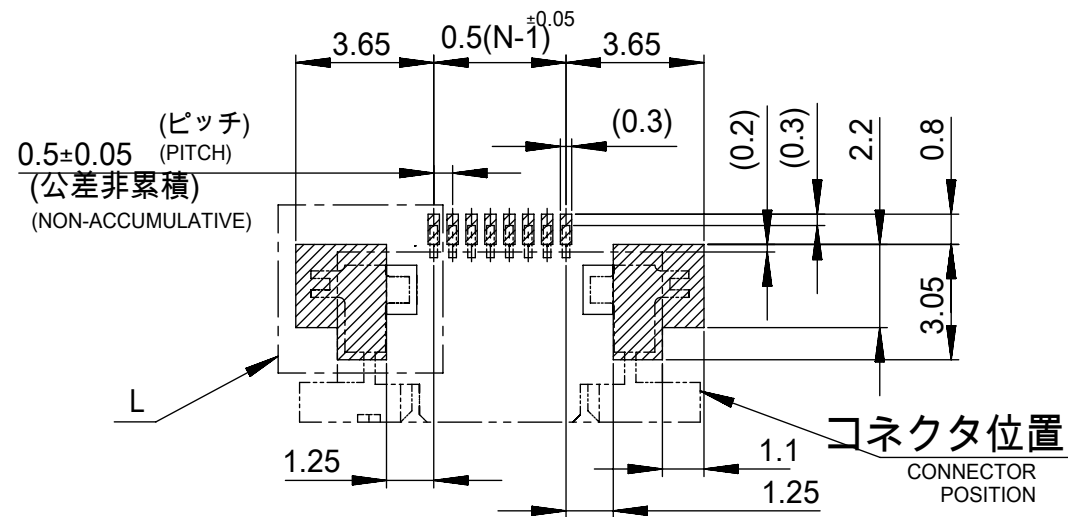
DOC TYPE: PSD

DOC PART: 001

REVISION: D

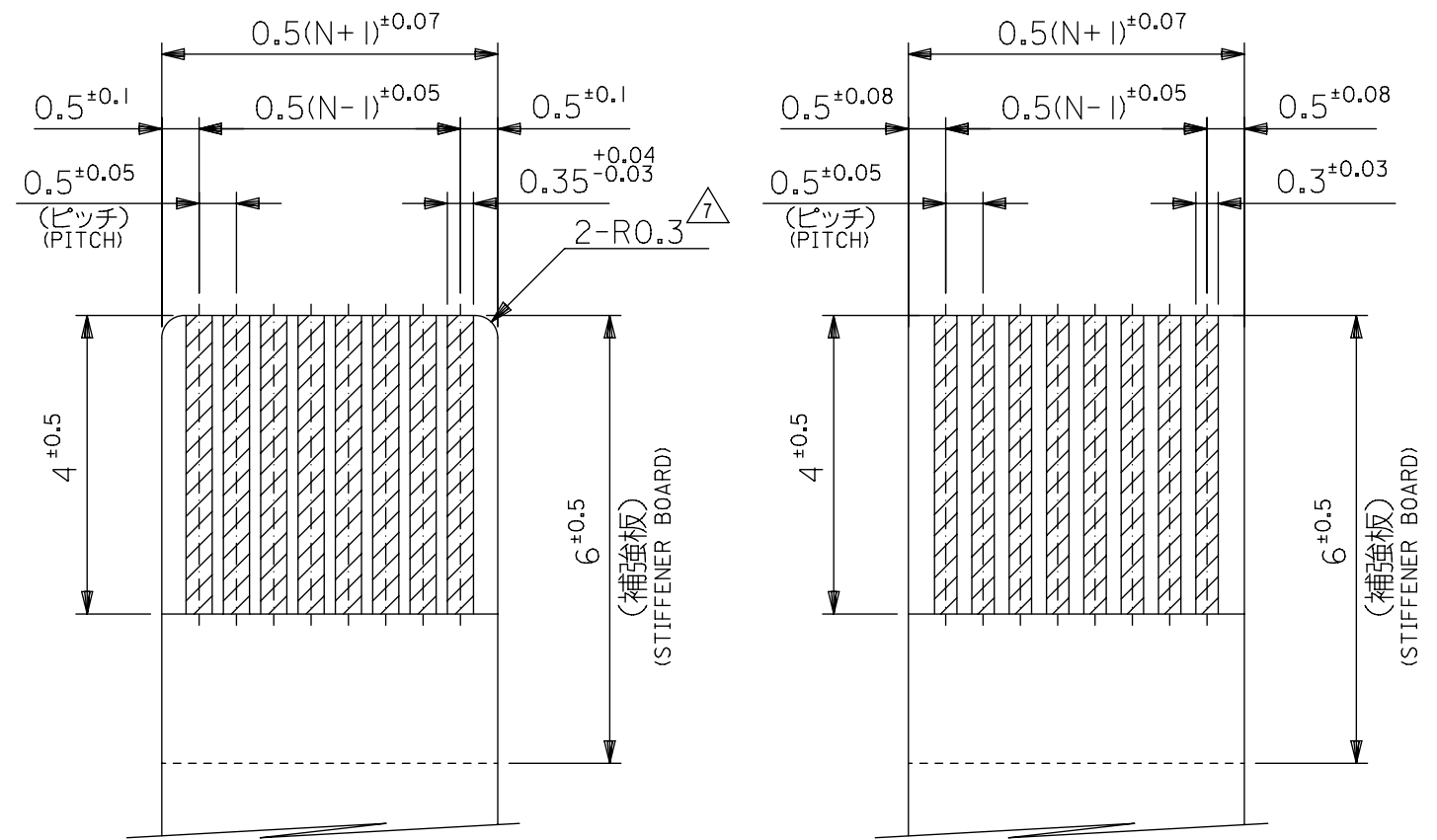
GENERAL TOLERANCES (UNLESS SPECIFIED)

10 <sup>UNDER</sup>	±0.2
10 <sup>OVER</sup> 30 <sup>UNDER</sup>	±0.25
30 <sup>OVER</sup>	±0.3
ANGULAR	±3°



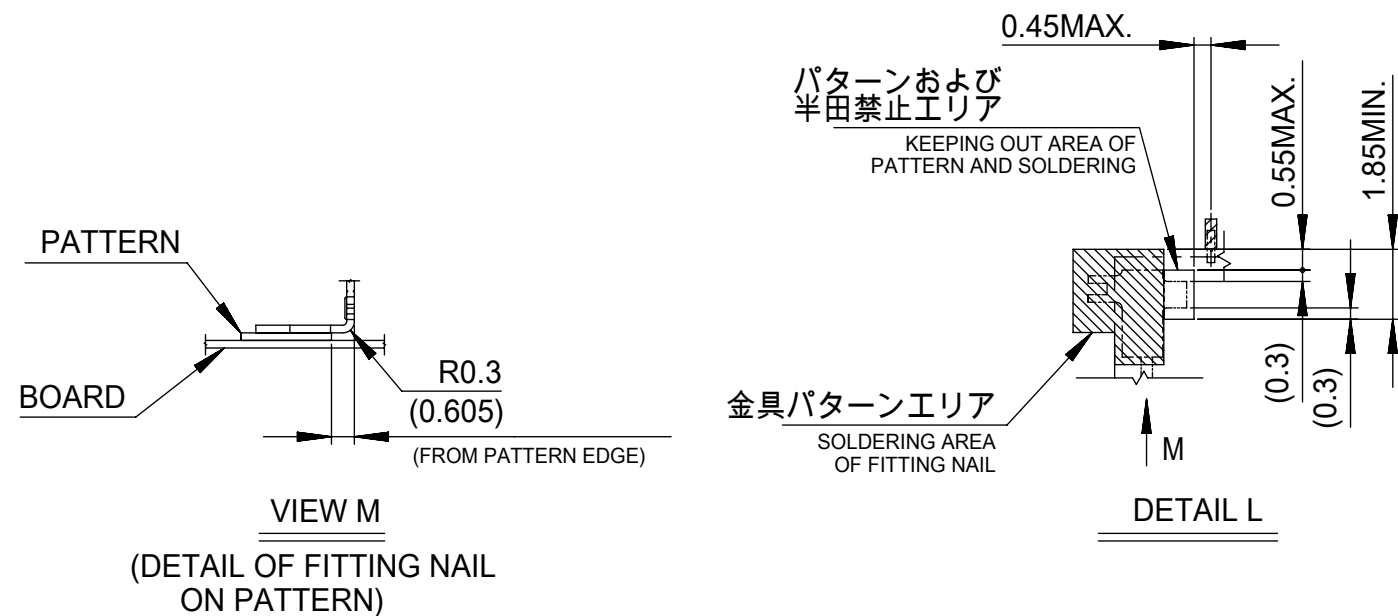
参考基板レイアウト  
(マウント面)

RECOMMENDED P.C. BOARD  
PATTERN DIMENSION (REF.)  
(MOUNTING SIDE)



適合FPC推奨寸法  
APPLICABLE FPC  
RECOMMENDED DIMENSION  
(仕上がり厚さ: 0.3±0.03)  
(THICKNESS: 0.3±0.03)

適合FFC推奨寸法  
APPLICABLE FFC  
RECOMMENDED DIMENSION  
(仕上がり厚さ: 0.3±0.03)  
(THICKNESS: 0.3±0.03)



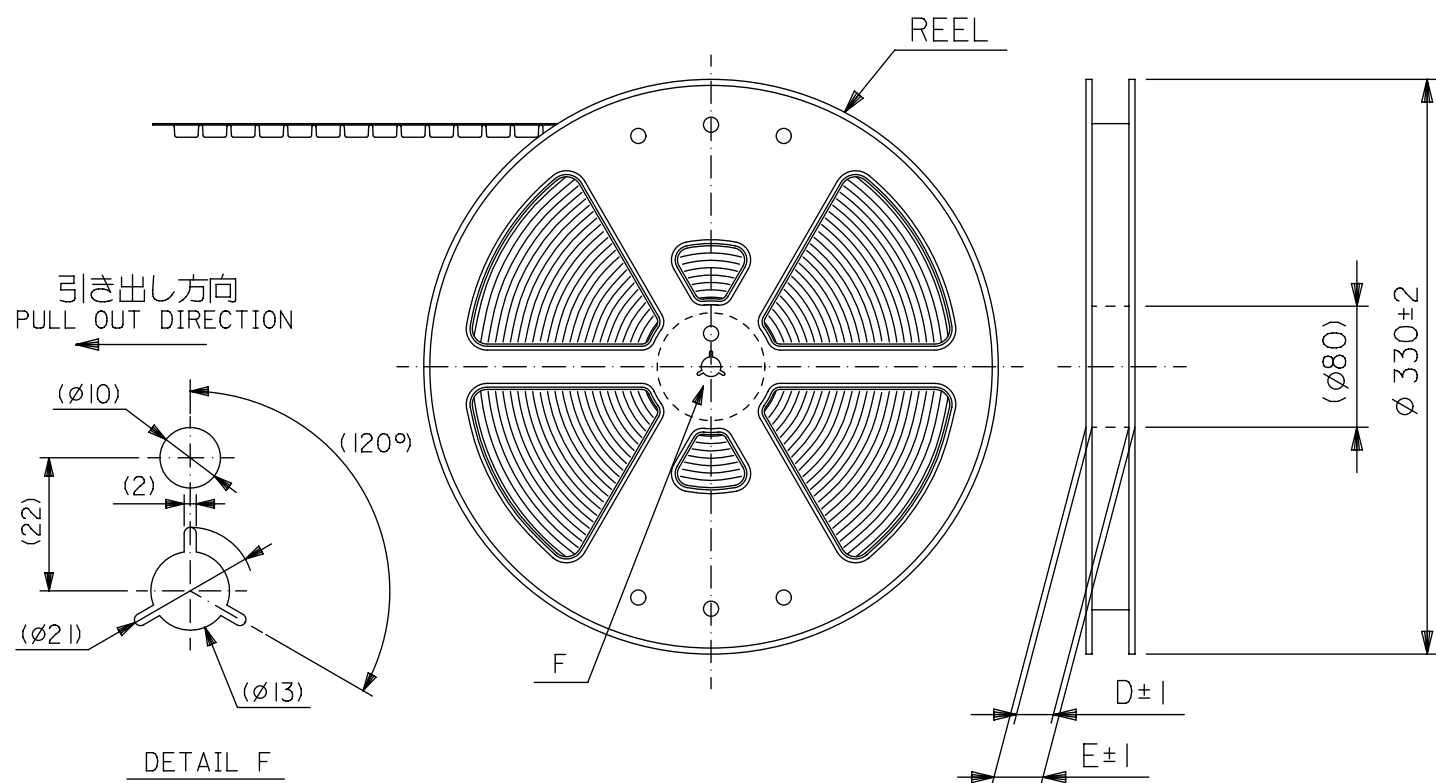
FPCについて:  
打抜き方向は導体側から補強板側を推奨致します。  
補強フィルム材質はポリイミドを推奨致します。  
接着剤は熱硬化接着剤を推奨致します。

ABOUT FPC:  
RECOMMENDED PUNCHER DIRECTION: FROM CONDUCTOR SIDE TO STIFFENER BOARD SIDE.  
RECOMMENDED MATERIAL:  
STIFFENER FILM: POLYIMIDE  
BONDING AGENT: THERMOSETTING BONDING AGENT

52745-\*\*-19 MODEL NO.

THIS DRAWING CONTAINS INFORMATION THAT IS PROPRIETARY TO MOLEX ELECTRONIC TECHNOLOGIES, LLC AND SHOULD NOT BE USED WITHOUT WRITTEN PERMISSION		CURRENT REV DESC:		<b>molex</b>	
DIMENSION UNITS	SCALE				
mm	NTS			0.5 FPC CONN ASSY ZIF UPR CONT -LEAD FREE-	
GENERAL TOLERANCES (UNLESS SPECIFIED)		GENERAL TOLERANCES (UNLESS SPECIFIED)		PRODUCT CUSTOMER DRAWING	
ANGULAR TOL ± °		ANGULAR TOL ± °		DOCUMENT NUMBER	
4 PLACES ±		4 PLACES ±		SD-52745-048	
3 PLACES ±		3 PLACES ±		DOC TYPE	
2 PLACES ±		2 PLACES ±		PSD	
1 PLACE ±		1 PLACE ±		DOC PART	
0 PLACES ±		0 PLACES ±		001	
DRAFT WHERE APPLICABLE MUST REMAIN WITHIN DIMENSIONS		THIRD ANGLE PROJECTION		REVISION	
		DRAWING		D	
		SERIES		SHEET NUMBER	
		A3-SIZE		2 OF 2	
		52745		MATERIAL NUMBER	
		SEE TABLE		CUSTOMER	
		GENERAL MARKET			

GENERAL TOLERANCES (UNLESS SPECIFIED)	
10 <sup>UNDER</sup>	±0.2
10 <sup>OVER</sup> 30 <sup>UNDER</sup>	±0.25
30 <sup>OVER</sup>	±0.3
ANGULAR	±3°

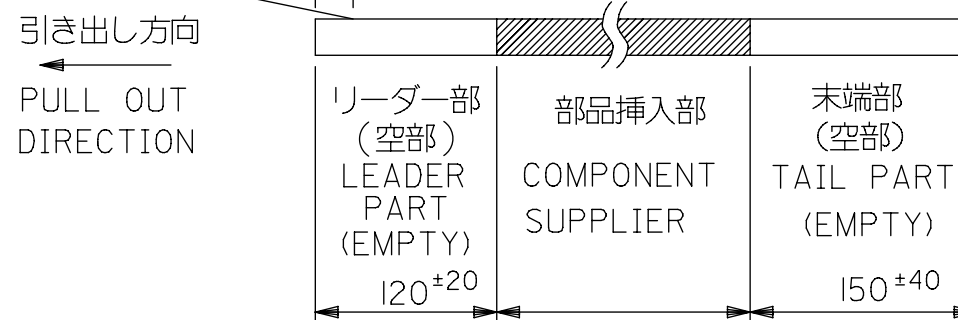
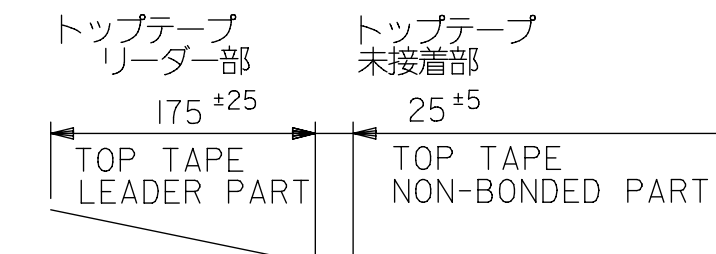


注記 NOTES

1. 製品番号 52745-\*\*19 の梱包状態はアクチュエータがロックした状態とする。  
 詳細寸法については図面 SD-52745-048 を参照下さい。  
 IN THE PACKAGE,ACTUATOR OF PART NO.52745-\*\*19 SHOULD BE LOCKED  
 RE DETAILED DIMENSIONS,SEE SD-52745-048.

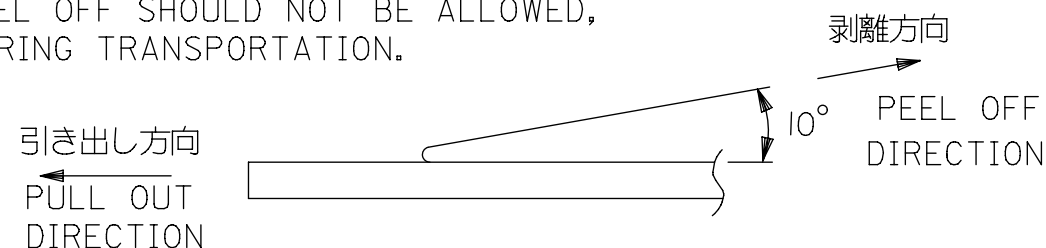
2. 梱包数量：1000個/リール  
 NUMBER OF CONNECTORS:1000PCS/REEL

3. リードテープ長さ LEAD TAPE LENGTH



4. トップテープの剥離強度：(剥離方向は下図参照)  
 0.1N~1.3N(10gf~130gf) 尚、本規格値は、出荷時に適用。  
 (但し、輸送時に剥離が発生しない事。)

PEELING OFF FORCE OF TOP TAPE:  
 0.1N~1.3N(10gf~130gf)(PEELING DIRECTION AS SHOWN IN FOLLOWING FIG.)  
 THIS REQUIREMENT SHOULD BE APPLIED AT SHIPMENT  
 PEEL OFF SHOULD NOT BE ALLOWED,  
 DURING TRANSPORTATION.



5. 材料 キャリアテープ：ポリプロピレン (PP)  
 トップテープ：PET, PE, PEF  
 リール：ポリスチレン (PS) <リサイクル材を含む>  
 MATERIAL CARRIER TAPE:POLYPROPYLENE  
 TOP TAPE:PET,PE,PEF  
 REEL:POLYSTYRENE(PS)  
 <RECYCLE MATERIAL CONTAINED>

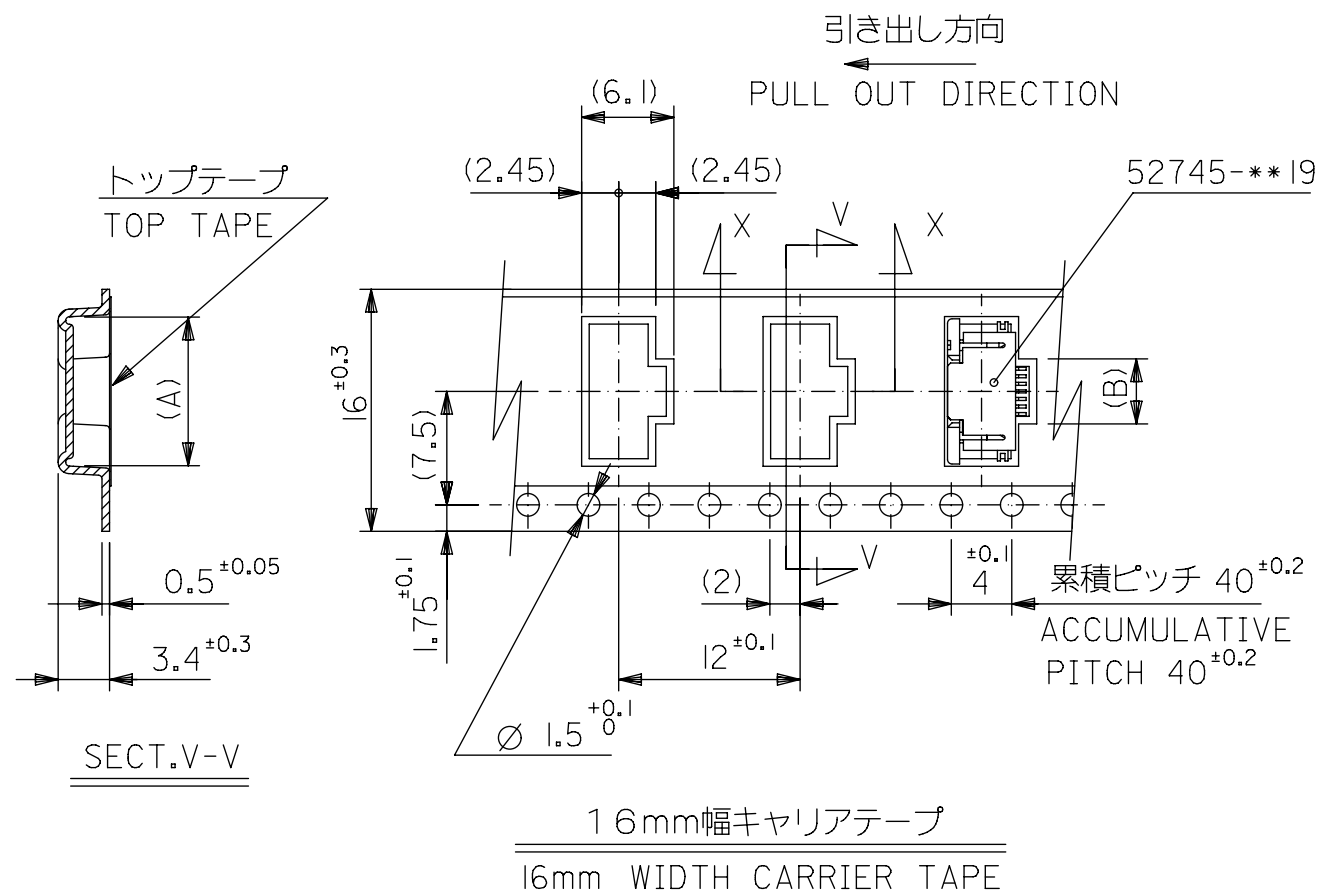
6. 本製品は 52745-\*\*90 の鉛フリー品である。  
 THIS PRODUCT IS LEAD FREE OF 52745-\*\*90

7. 本製品は乾燥剤入り、ハイバリア梱包仕様である。  
 THIS PRODUCT IS HIGH BARRIER PACKAGE WITH DESICCANT.

52745-\*\*96 MODEL NO.

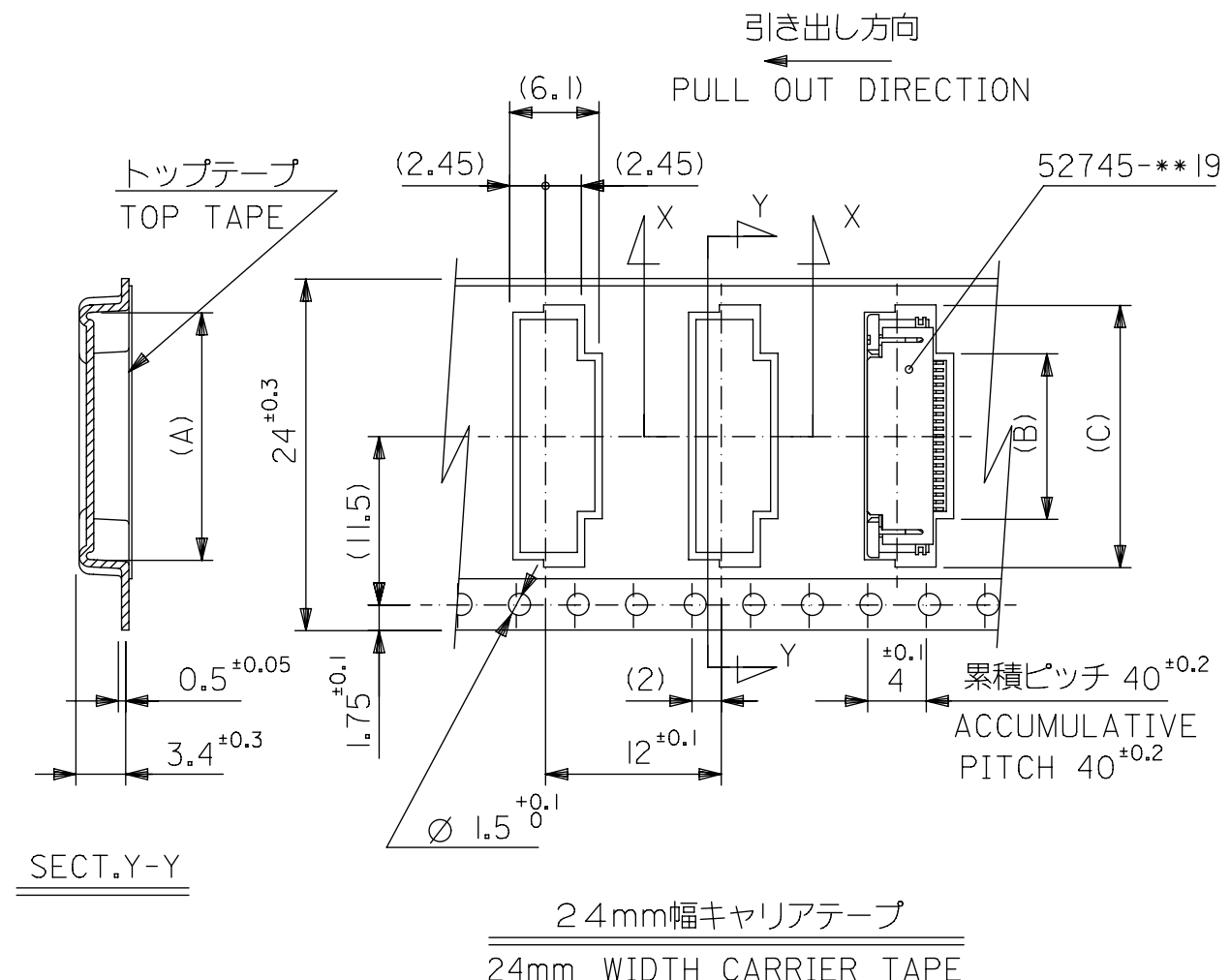
THIS DRAWING CONTAINS INFORMATION THAT IS PROPRIETARY TO MOLEX ELECTRONIC TECHNOLOGIES, LLC AND SHOULD NOT BE USED WITHOUT WRITTEN PERMISSION		CURRENT REV DESC:		<b>molex</b>	
DIMENSION UNITS	SCALE				
mm	NTS			0.5 FPC CONN UPR CONT EMBSTP PKG -LEAD FREE-	
GENERAL TOLERANCES (UNLESS SPECIFIED)		GENERAL TOLERANCES (UNLESS SPECIFIED)		PRODUCT CUSTOMER DRAWING	
ANGULAR TOL ± °		ANGULAR TOL ± °		DOCUMENT NUMBER	
4 PLACES ±		4 PLACES ±		SD-52745-049	
3 PLACES ±		3 PLACES ±		DOC TYPE	
2 PLACES ±		2 PLACES ±		PSD	
1 PLACE ±		1 PLACE ±		DOC PART	
0 PLACES ±		0 PLACES ±		001	
DRAFT WHERE APPLICABLE MUST REMAIN WITHIN DIMENSIONS		THIRD ANGLE PROJECTION		REVISION	
				C	
		DRAWING		MATERIAL NUMBER	
		A3-SIZE		SEE TABLE	
		SERIES		CUSTOMER	
		52745		GENERAL MARKET	
				SHEET NUMBER	
				1 OF 3	

GENERAL TOLERANCES (UNLESS SPECIFIED)	
10 <sup>UNDER</sup>	±0.2
10 <sup>OVER</sup> 30 <sup>UNDER</sup>	±0.25
30 <sup>OVER</sup>	±0.3
ANGULAR	±3°



16	21.4	17.4	17.5	2.8	8.4	52745-0496	4
キャリアテープ幅 CARRIER TAPE WIDTH	E	D	(C)	(B)	(A)	MATERIAL NO.	極数 CIRCUIT
						52745-***96	MODEL NO.

THIS DRAWING CONTAINS INFORMATION THAT IS PROPRIETARY TO MOLEX ELECTRONIC TECHNOLOGIES, LLC AND SHOULD NOT BE USED WITHOUT WRITTEN PERMISSION		CURRENT REV DESC:		<b>molex</b>	
DIMENSION UNITS	SCALE	EC NO: 719890			
mm	NTS	DRWN: NARENC 2022/08/24		0.5 FPC CONN UPR CONT EMBSTP PKG -LEAD FREE-	
GENERAL TOLERANCES (UNLESS SPECIFIED)		CHK'D: SMARUYAMA 2022/09/05			
ANGULAR TOL ± °		APPR: YNAITO 2022/09/05		PRODUCT CUSTOMER DRAWING	
4 PLACES ±		INITIAL REVISION:		DOCUMENT NUMBER	
3 PLACES ±		DRWN: TUENO 2004/01/14		SD-52745-049	
2 PLACES ±		APPR: MSASAO 2004/01/19		DOC TYPE DOC PART REVISION	
1 PLACE ±		DRAFT WHERE APPLICABLE MUST REMAIN WITHIN DIMENSIONS		PSD 001 C	
0 PLACES ±		THIRD ANGLE PROJECTION		MATERIAL NUMBER CUSTOMER SHEET NUMBER	
10 <sup>UNDER</sup> ±0.2		DRAWING		SEE TABLE GENERAL MARKET 2 OF 3	
10 <sup>OVER</sup> 30 <sup>UNDER</sup> ±0.25		A3-SIZE			
30 <sup>OVER</sup> ±0.3		SERIES			
ANGULAR ±3 °		52745			



24	29.4	25.4	17.4	10.8	16.4	52745-2096	20
			16.9	10.3	15.9	-1996	19
			16.4	9.8	15.4	-1896	18
			15.9	9.3	14.9	-1796	17
			15.4	8.8	14.4	-1696	16
			14.9	8.3	13.9	-1596	15
			14.4	7.8	13.4	-1496	14
			13.9	7.3	12.9	-1396	13
			13.4	6.8	12.4	-1296	12
			12.9	6.3	11.9	-1196	11
			12.4	5.8	11.4	-1096	10
			11.9	5.3	10.9	-0996	9
			11.4	4.8	10.4	-0896	8
10.9	4.3	9.9	-0796	7			
10.4	3.8	9.4	52745-0696	6			
キャリアテープ幅 CARRIER TAPE WIDTH	E	D	(C)	(B)	(A)	MATERIAL NO.	極数 CIRCUIT

52745-\*\*96 MODEL NO.

THIS DRAWING CONTAINS INFORMATION THAT IS PROPRIETARY TO MOLEX ELECTRONIC TECHNOLOGIES, LLC AND SHOULD NOT BE USED WITHOUT WRITTEN PERMISSION

DIMENSION UNITS	SCALE	CURRENT REV DESC:	
mm	NTS		
GENERAL TOLERANCES (UNLESS SPECIFIED)		molex	
ANGULAR TOL ± °		0.5 FPC CONN UPR CONT EMBSTP PKG -LEAD FREE-	
4 PLACES ±		PRODUCT CUSTOMER DRAWING	
3 PLACES ±		DOCUMENT NUMBER	
2 PLACES ±		SD-52745-049	
1 PLACE ±		DOC TYPE	
0 PLACES ±		PSD	
DRAFT WHERE APPLICABLE MUST REMAIN WITHIN DIMENSIONS		DOC PART	
THIRD ANGLE PROJECTION		001	
DRAWING		REVISION	
A3-SIZE		C	
SERIES		SHEET NUMBER	
52745		3 OF 3	
MATERIAL NUMBER		CUSTOMER	
SEE TABLE		GENERAL MARKET	

GENERAL TOLERANCES (UNLESS SPECIFIED)	
10 <sup>UNDER</sup>	±0.2
10 <sup>OVER</sup> 30 <sup>UNDER</sup>	±0.25
30 <sup>OVER</sup>	±0.3
ANGULAR	±3 °