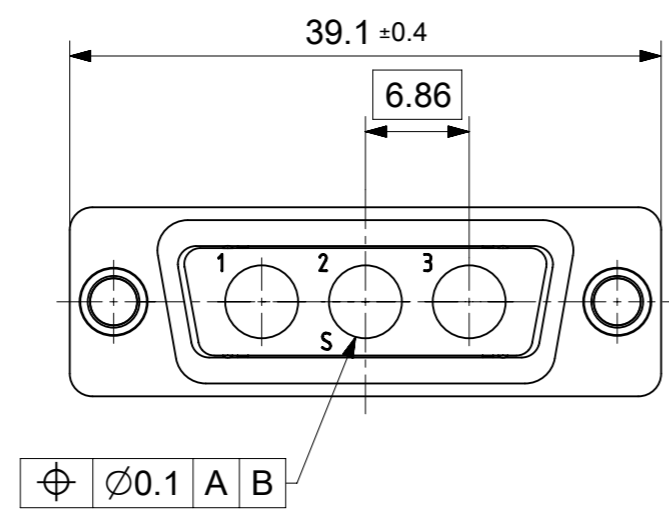
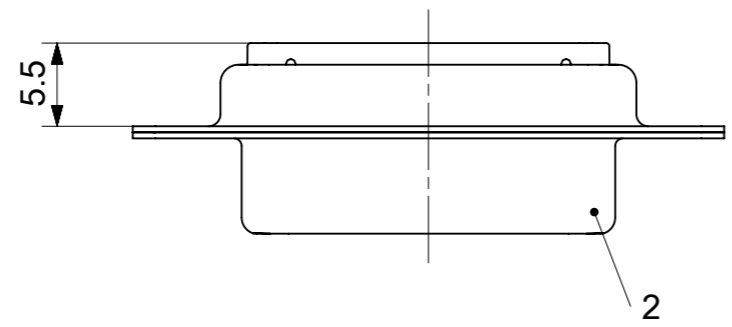
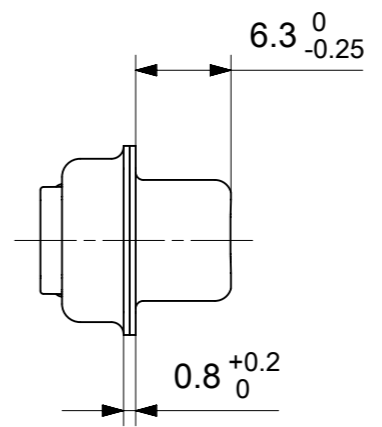
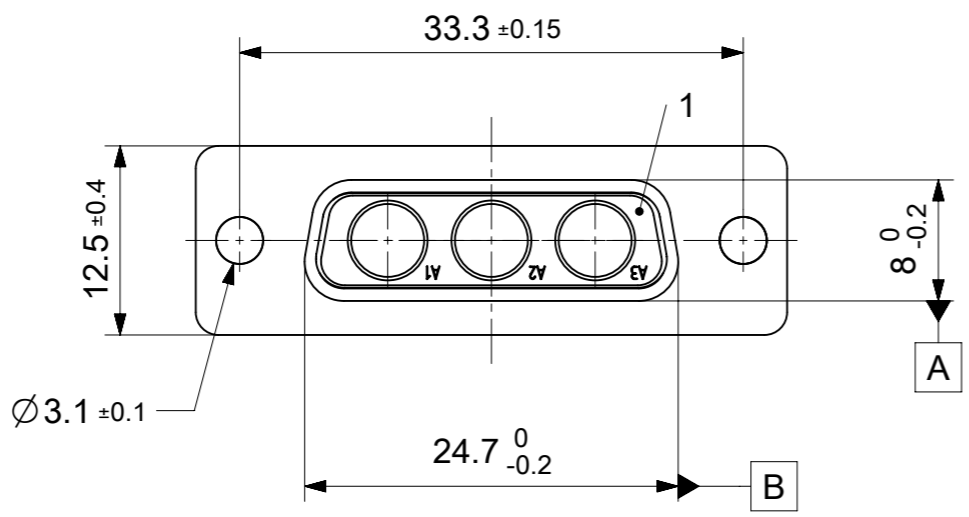


RoHS compliant



| | | | | |
|-----|-----|-----------|------------------------------------|-----------------------------|
| 2 | 1 | Shell | Steel | tin plated |
| 1 | 1 | Insulator | PBT (-55°C to +130°C) acc. UL94V-0 | green |
| No. | Pc. | Part | Type Description/Material | Surface plating/Color/Class |

MEASUREMENTS WITHOUT TOLERANCE ACC TO ISO 2768-m REPLACEMENT FOR DOCUMENT NUMBER: FM3W3S-K121

| | | | | | | | | | | | | | | | | |
|------------------------------------------------------|-----------------------------------------------------------------------------------------------------------------------------------------------|-------------------------------|--------------------------|---------|--------------|--------|--|------------------------------------------------------------------|--|----------|----------------|--------------|--|--------------|--|--|
| FUNCTIONAL SYMBOLS | THIS DRAWING CONTAINS INFORMATION THAT IS PROPRIETARY TO MOLEX ELECTRONIC TECHNOLOGIES, LLC AND SHOULD NOT BE USED WITHOUT WRITTEN PERMISSION | CURRENT REV DESC: | | | molex | | | | | | | | | | | |
| | GENERAL TOLERANCES (UNLESS SPECIFIED) | | | | | | | FCT D-SUB MIXED-LAYOUT CONNECTOR FCT PART NUMBER: FM3W3S-K121 | | | | | | | | |
| | ANGULAR TOL ± ° | EC NO: 727306 | PRODUCT CUSTOMER DRAWING | | | | | | | | | | | | | |
| | 4 PLACES ± | DRWN: MSTEINBRUECK 2022/11/07 | | | | | | | | | | | | | | |
| 3 PLACES ± | CHK'D: MTEUBEL 2022/11/08 | DOCUMENT NUMBER | | | DOC TYPE | | | DOC PART | | | REVISION | | | | | |
| 2 PLACES ± | APPR: MTEUBEL 2022/11/08 | | | | | | | | | | | | | 1727040032 | | |
| 1 PLACE ± | INITIAL REVISION: | DRWN: SKANDB 2022/05/24 | | | SERIES | | | MATERIAL NUMBER | | | CUSTOMER | | | SHEET NUMBER | | |
| 0 PLACES ± | DRWN: MTEUBEL 2022/09/30 | A3-SIZE | | | 172704 | | | 1727040032 | | | GENERAL MARKET | | | 1 OF 1 | | |
| DRAFT WHERE APPLICABLE MUST REMAIN WITHIN DIMENSIONS | | FIRST ANGLE PROJECTION | | DRAWING | | SERIES | | MATERIAL NUMBER | | CUSTOMER | | SHEET NUMBER | | | | |