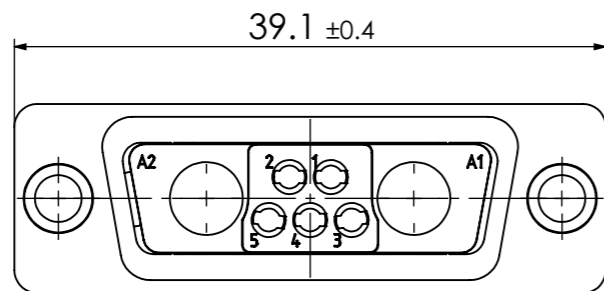
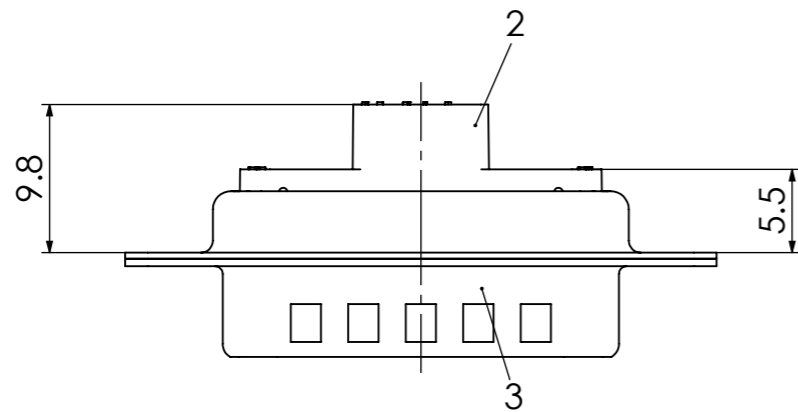
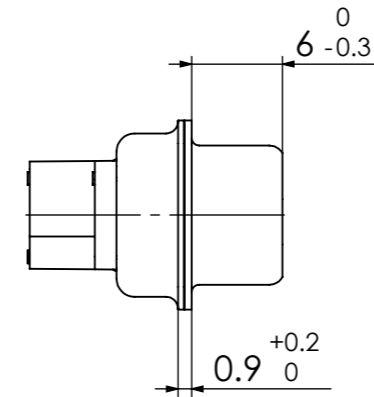
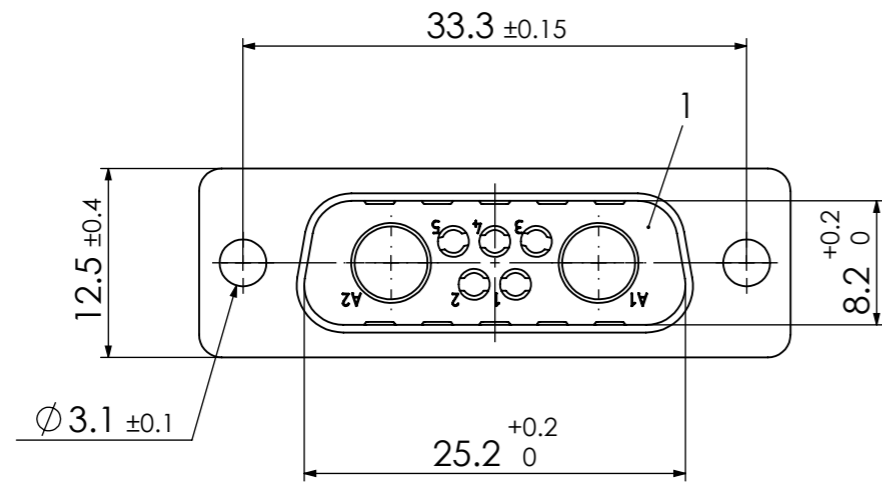


COMMENT:
ALL RIGHTS ARE RESERVED BY US FOR THIS DRAWING. WITHOUT OUR PRIOR CONSENT,
IT MAY NEITHER BE DUPLICATED NOR MADE AVAILABLE TO A THIRD PARTY.
AND IT ALSO MAY NOT BE IMPROPERLY USED BY THE RECEIVER, OR A THIRD PARTY.



*) y for series FU or FL

Material Number	y *)
1731070397	U
1731070170	L

RoHS compliant
by exemption

Technical data for standard (FU)
Crimp contacts FK20P (AWG 20-24/1.3µm Au) included in delivery

No.	St.	Part	Type Description/Material	Surface plating/Colour/Class
3	1	Shell	Steel	tin plated
2	1	Insulator rear part	PEI (-55°C to +130°C) acc. UL94V-0	green
1	1	Insulator front part	PBT acc. UL94V-0	green

RoHS compliant

Technical data for standard (FL)
Crimp contacts not supplied with connector. Contacts must be ordered separately.

No.	St.	Part	Type Description/Material	Surface plating/Colour/Class
3	1	Shell	Steel	tin plated
2	1	Insulator rear part	PA (-55°C to +115°C) acc. UL94V-0	black
1	1	Insulator front part	PBT acc. UL94V-0	black

FUNCTIONAL SYMBOLS		THIS DRAWING CONTAINS INFORMATION THAT IS PROPRIETARY TO MOLEX ELECTRONIC TECHNOLOGIES, LLC AND SHOULD NOT BE USED WITHOUT WRITTEN PERMISSION		molex	
▽ = 0	DIMENSION UNITS mm	SCALE 2:1	MEASUREMENTS WITHOUT TOLERANCE ACC. TO ISO 2768-m		
▽ = 0	CURRENT REVISION			PRODUCT CUSTOMER DRAWING	
▽ = 0	DRWN: DRAWN BY wpan05 11-02-2019				
	APPR: APPR BY msteinbrueck 12-02-2019			REVISION 2	
	INITIAL REVISION				
	DRWN: DRAWN BY ADenzinger 24-01-2007			CUSTOMER GENERAL MARKET	
	APPR: APPR BY SKusber 29-01-2007				
	REPLACEMENT FOR:	FRIST ANGLE PROJECTION	DRAWING		
			A3-SIZE		