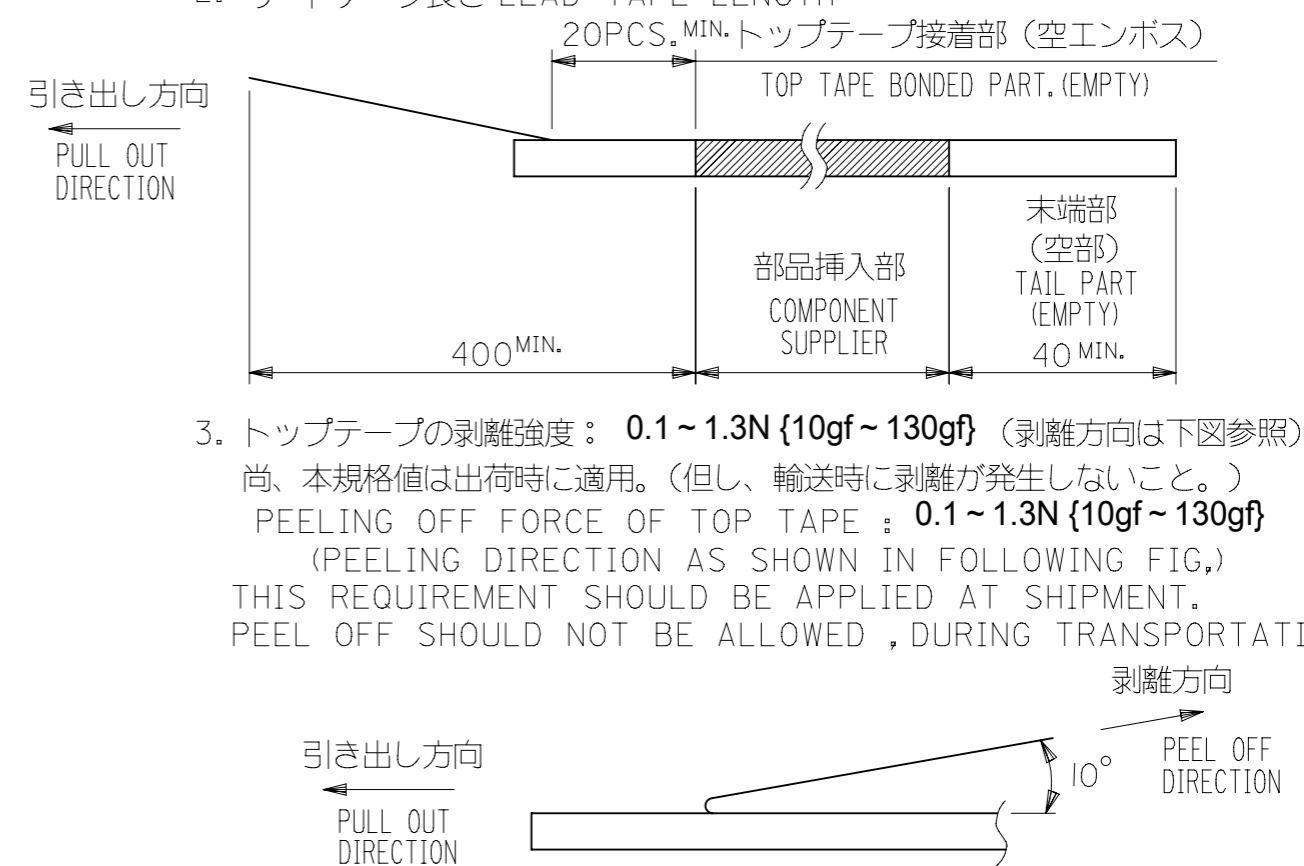


NOTES

- 梱包数量：1000個/リール
NUMBER OF CONNECTORS : 1000PCS/REEL
- リードテープ長さ LEAD TAPE LENGTH
20PCS. MIN. トップテープ接着部 (空エンボス)
TOP TAPE BONDED PART. (EMPTY)
部品挿入部
COMPONENT SUPPLIER
末端部 (空部)
TAIL PART (EMPTY)
40 MIN.
- トップテープの剥離強度：0.1~1.3N {10gf~130gf} (剥離方向は下図参照)
尚、本規格値は出荷時に適用。(但し、輸送時に剥離が発生しないこと。)
PEELING OFF FORCE OF TOP TAPE : 0.1~1.3N {10gf~130gf}
(PEELING DIRECTION AS SHOWN IN FOLLOWING FIG.)
THIS REQUIREMENT SHOULD BE APPLIED AT SHIPMENT.
PEEL OFF SHOULD NOT BE ALLOWED , DURING TRANSPORTATION.
- 52610-**-16のアクチュエータはハウジング内に押し下げた状態とする。
詳細寸法については 製品単体図面 を参照下さい。
ACTUATOR OF PART NO. 52610-**-16 SHOULD BE LOCKED.
RE DETAILED DIMENSIONS , SEE SALES DRAWING FOR CONNECTOR.
- 材料(MATERIAL)
キャリアテープ(CARRIER TAPE) : ポリプロピレン(POLYPROPYLENE)
トップテープ(TOPTAPE) : PET , PE , PEF
リール(REEL) : ポリスチレン (PS) <リサイクル材を含む>
POLYSTYREN(PS) <RECYCLE MATERIAL CONTAINED>
- 本製品は 52610-**-90 の鉛フリー品です
- 本製品は乾燥剤入り、ハイバリア梱包仕様である。
THIS PRODUCT IS HIGH BARRIER PACKAGE WITH DESICCANT.

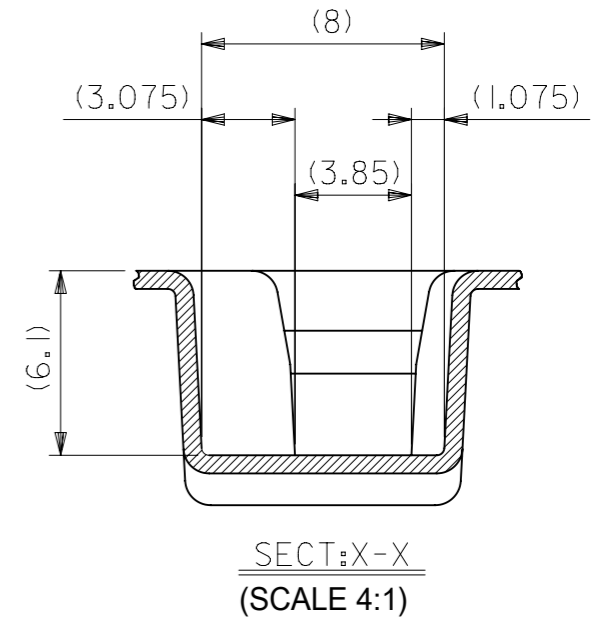
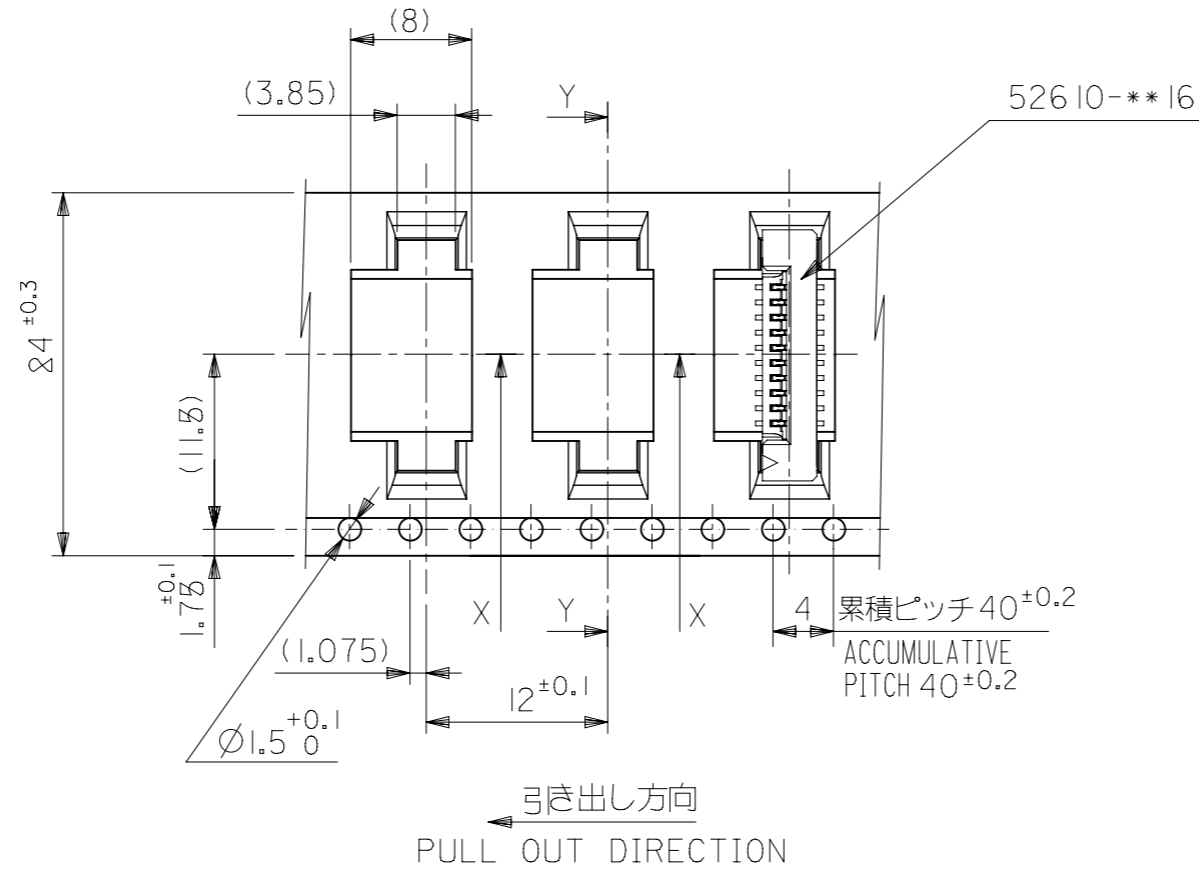
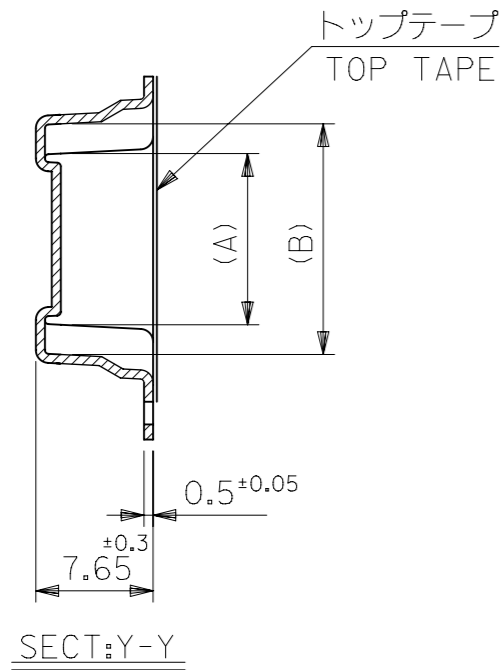


GENERAL TOLERANCES (UNLESS SPECIFIED)	
10 ^{UNDER}	±0.2
10 ^{OVER} 30 ^{UNDER}	±0.25
30 ^{OVER}	±0.3
ANGULAR	±3°

THIS DRAWING CONTAINS INFORMATION THAT IS PROPRIETARY TO MOLEX ELECTRONIC TECHNOLOGIES, LLC AND SHOULD NOT BE USED WITHOUT WRITTEN PERMISSION
DIMENSION UNITS: mm
SCALE: NTS
GENERAL TOLERANCES (UNLESS SPECIFIED)
ANGULAR TOL ±
4 PLACES ±
3 PLACES ±
2 PLACES ±
1 PLACE ±
0 PLACES ±
DRAFT WHERE APPLICABLE MUST REMAIN WITHIN DIMENSIONS

CURRENT REV DESC:	
EC NO: 719890	2022/09/01
DRWN: DGONDO	2022/09/05
CHK'D: SMARUYAMA	2022/09/05
APPR: YNAITO	2022/09/05
INITIAL REVISION:	
DRWN: NAIDA	2005/08/08
APPR: NUKITA	2005/08/22

52610-**71		MODEL NO.	
molex			
1.0 FPC CONN SMT ZIF EMBSTP PKG -LEAD FREE-			
PRODUCT CUSTOMER DRAWING			
DOCUMENT NUMBER	DOC TYPE	DOC PART	REVISION
SD-52610-038	PSD	001	D
MATERIAL NUMBER	CUSTOMER	SHEET NUMBER	
SEE TABLE	GENERAL MARKET	1 OF 5	

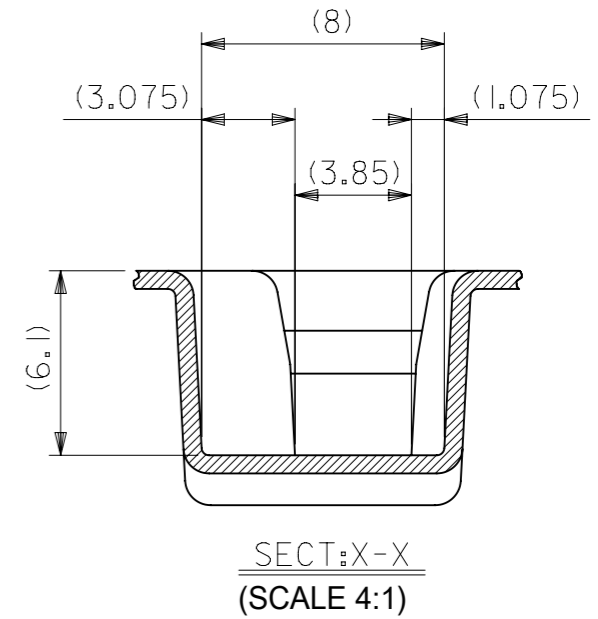
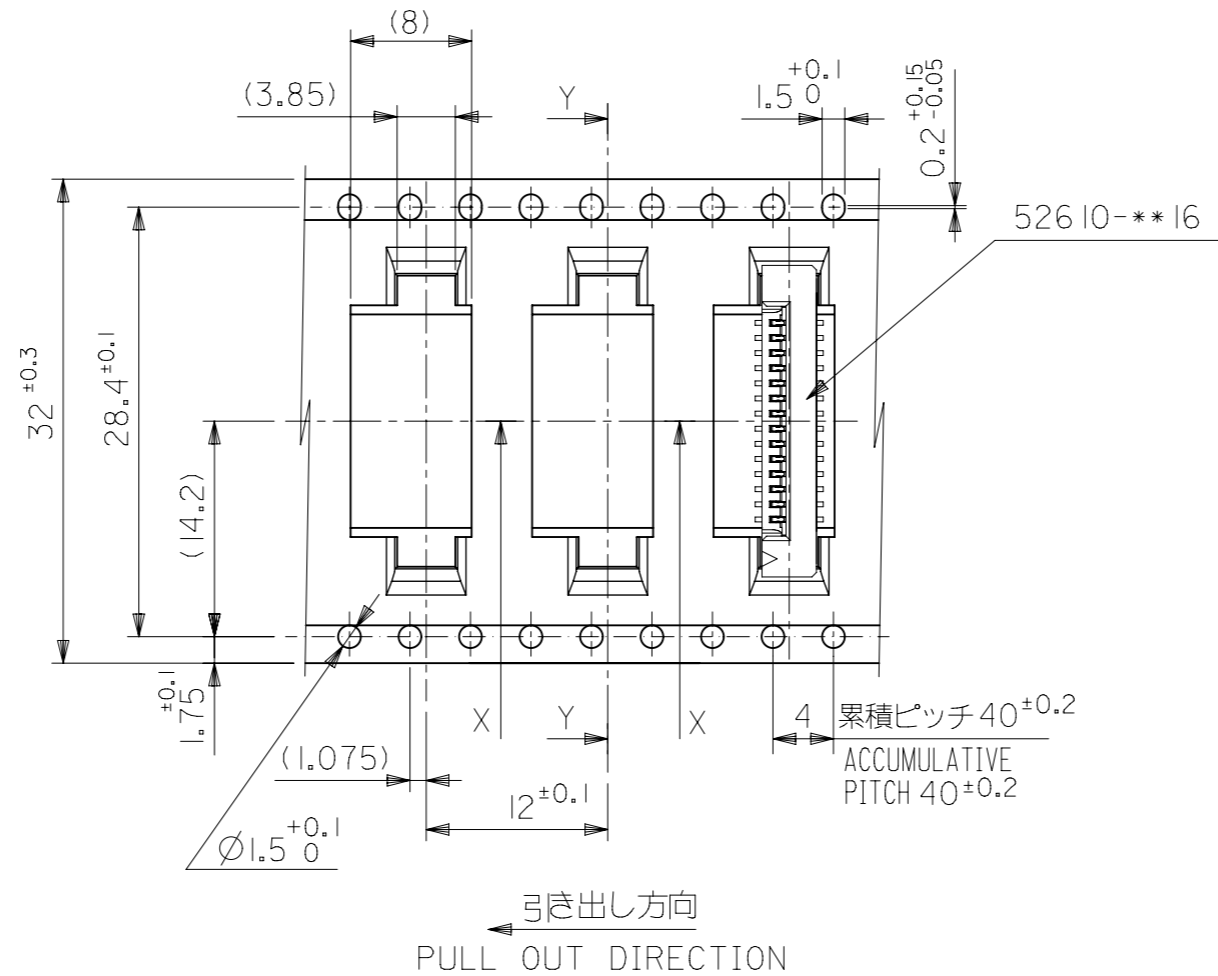
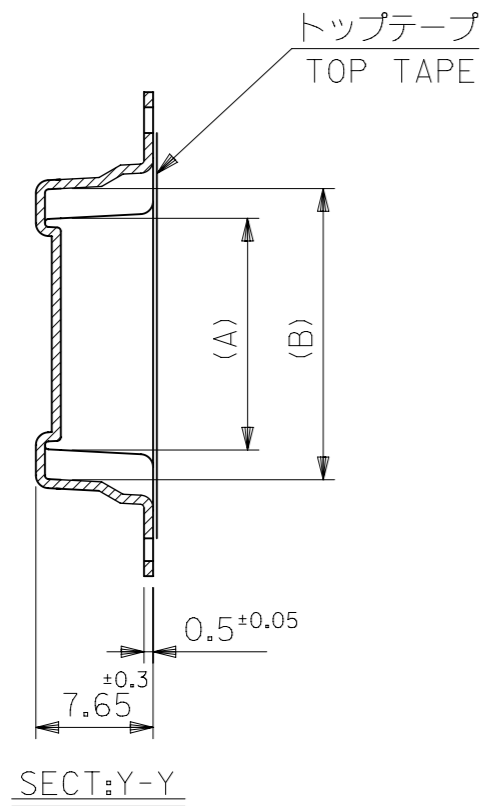


24	29.4	25.4	15.25	11.32	52610-1071	10		
			14.25	10.32	52610-0971	9		
			13.25	9.32	52610-0871	8		
			12.25	8.32	52610-0771	7		
			11.25	7.32	52610-0671	6		
			10.25	6.32	52610-0571	5		
キャリアテープ幅 CARRIER TAPE WIDTH			D	C	(B)	(A)	MATERIAL NO.	極数 CKT.

52610-**-71 MODEL NO.

THIS DRAWING CONTAINS INFORMATION THAT IS PROPRIETARY TO MOLEX ELECTRONIC TECHNOLOGIES, LLC AND SHOULD NOT BE USED WITHOUT WRITTEN PERMISSION									
DIMENSION UNITS mm		SCALE NTS		CURRENT REV DESC.					
GENERAL TOLERANCES (UNLESS SPECIFIED)				molex 1.0 FPC CONN SMT ZIF EMBSTP PKG -LEAD FREE- PRODUCT CUSTOMER DRAWING					
ANGULAR TOL ±									
4 PLACES ±									
3 PLACES ±									
2 PLACES ±									
1 PLACE ±				EC NO: 719890		2022/09/01		DRWN: DGONDO	
0 PLACES ±				APP: YNAITO		2022/09/05		CHK'D: SMARUYAMA	
DRAFT WHERE APPLICABLE MUST REMAIN WITHIN DIMENSIONS				INITIAL REVISION:		2005/08/08		DRWN: NAIDA	
				APP: NUKITA		2005/08/22		APPR: NUKITA	
THIRD ANGLE PROJECTION		DRAWING		SERIES		MATERIAL NUMBER		CUSTOMER	
A3-SIZE		52610		SEE TABLE		GENERAL MARKET		SHEET NUMBER	
								2 OF 5	

GENERAL TOLERANCES (UNLESS SPECIFIED)	
10 ^{UNDER}	±0.2
10 ^{OVER} 30 ^{UNDER}	±0.25
30 ^{OVER}	±0.3
ANGULAR	±3°

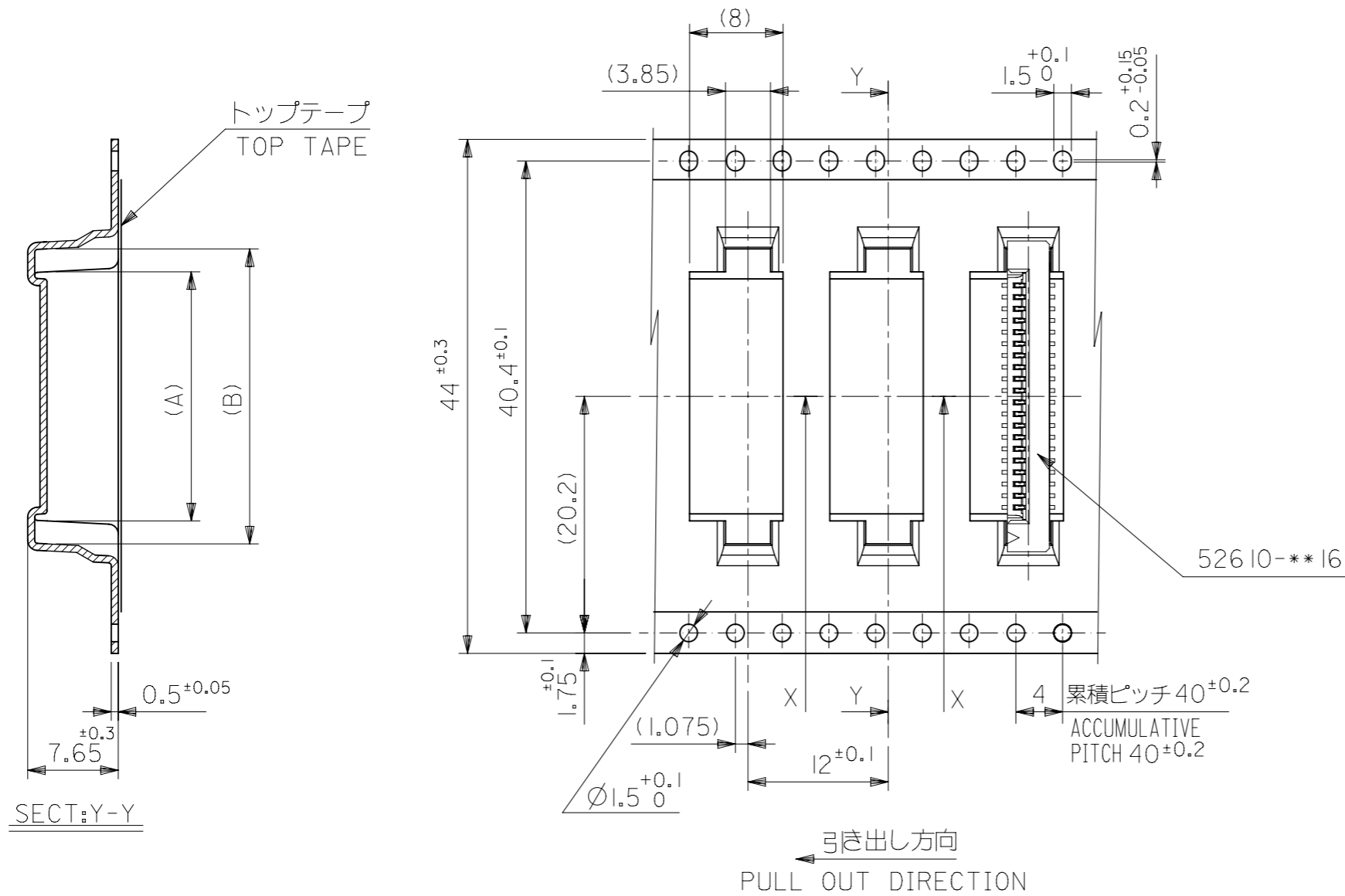


32	37.4	33.4	20.25	16.32	52610-1571	15
			19.25	15.32	52610-1471	14
			18.25	14.32	52610-1371	13
			17.25	13.32	52610-1271	12
			16.25	12.32	52610-1171	11
キャリアテープ幅 CARRIER TAPE WIDTH	D	C	(B)	(A)	MATERIAL NO.	極数 CKT.

52610-**71 MODEL NO.

THIS DRAWING CONTAINS INFORMATION THAT IS PROPRIETARY TO MOLEX ELECTRONIC TECHNOLOGIES, LLC AND SHOULD NOT BE USED WITHOUT WRITTEN PERMISSION		CURRENT REV DESC:		molex	
DIMENSION UNITS	SCALE	EC NO: 719890			
mm	NTS	DRWN: DGONDO 2022/09/01		1.0 FPC CONN SMT ZIF EMBSTP PKG -LEAD FREE-	
GENERAL TOLERANCES (UNLESS SPECIFIED)		CHK'D: SMARUYAMA 2022/09/05			
ANGULAR TOL ±		APPR: YNAITO 2022/09/05		PRODUCT CUSTOMER DRAWING	
4 PLACES ±		INITIAL REVISION:		DOCUMENT NUMBER	
3 PLACES ±		DRWN: NAIDA 2005/08/08		SD-52610-038	
2 PLACES ±		APPR: NUKITA 2005/08/22		DOC TYPE DOC PART REVISION	
1 PLACE ±		DRAWING		PSD 001 D	
0 PLACES ±		SERIES		SHEET NUMBER	
DRAFT WHERE APPLICABLE MUST REMAIN WITHIN DIMENSIONS		THIRD ANGLE PROJECTION		MATERIAL NUMBER CUSTOMER	
		DRAWING		SEE TABLE GENERAL MARKET	
		A3-SIZE		3 OF 5	

GENERAL TOLERANCES (UNLESS SPECIFIED)	
10 ^{UNDER}	±0.2
10 ^{OVER} 30 ^{UNDER}	±0.25
30 ^{OVER}	±0.3
ANGULAR	±3°



44	49.4	45.4	31.25	27.32	52610-2671	26
			30.25	26.32	52610-2571	25
			29.25	25.32	52610-2471	24
			28.25	24.32	52610-2371	23
			27.25	23.32	52610-2271	22
			26.25	22.32	52610-2171	21
			25.25	21.32	52610-2071	20
			24.25	20.32	52610-1971	19
			23.25	19.32	52610-1871	18
			22.25	18.32	52610-1771	17
			21.25	17.32	52610-1671	16
キャリアテープ幅 CARRIER TAPE WIDTH	D	C	(B)	(A)	MATERIAL NO.	極数 CKT.
					52610-**71	MODEL NO.

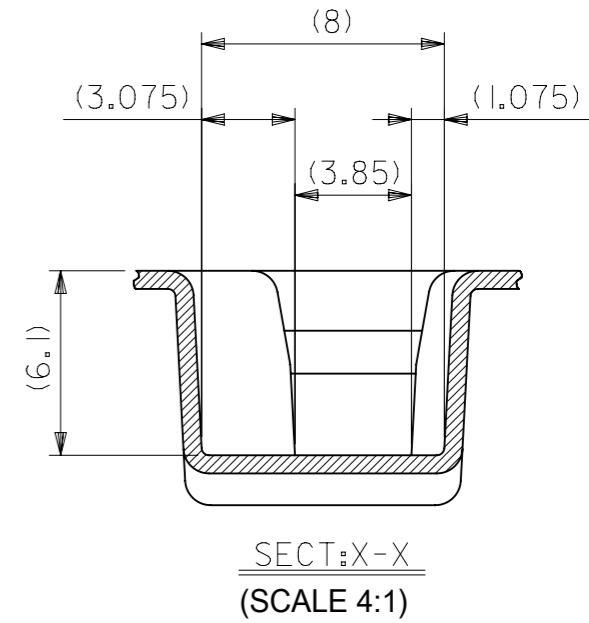
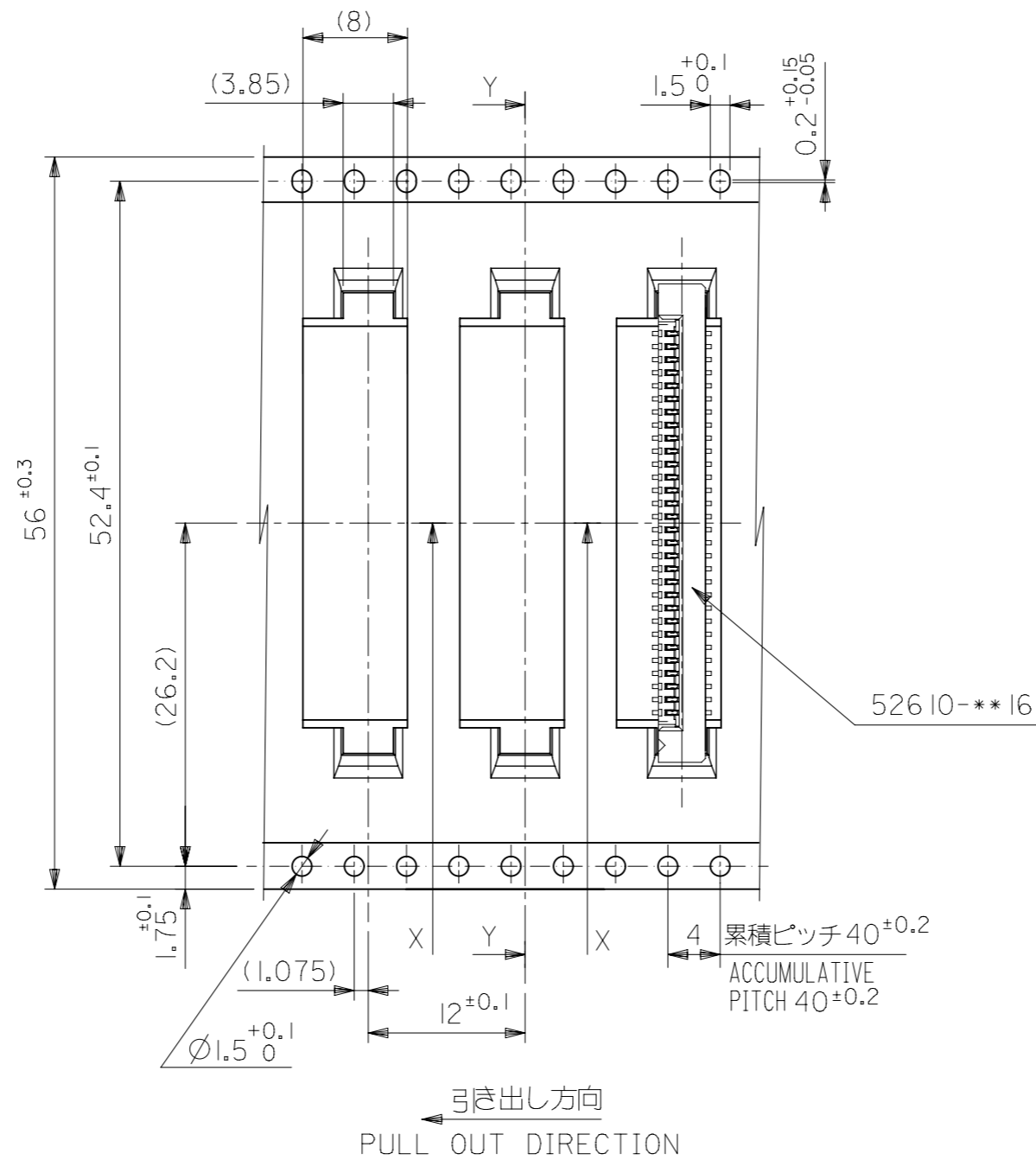
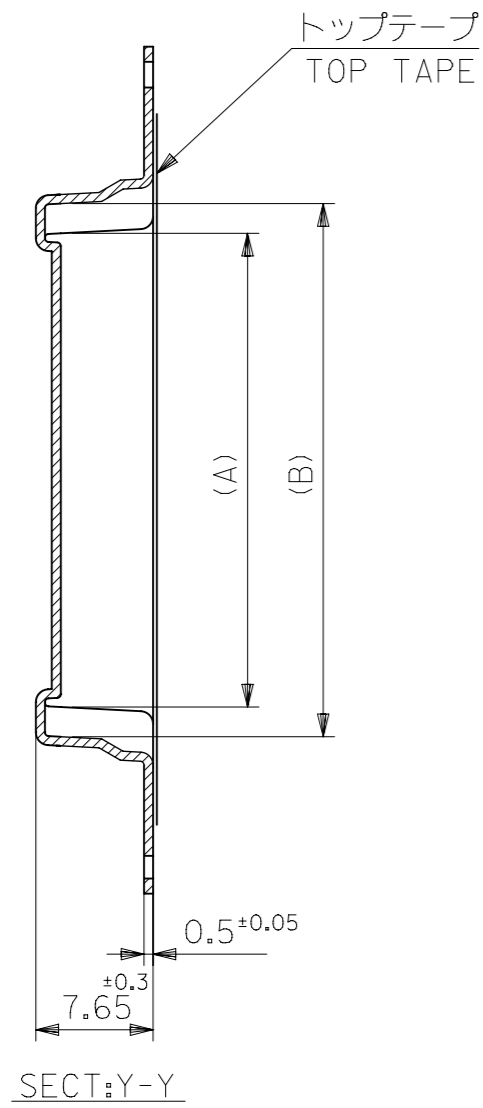
THIS DRAWING CONTAINS INFORMATION THAT IS PROPRIETARY TO MOLEX ELECTRONIC TECHNOLOGIES, LLC AND SHOULD NOT BE USED WITHOUT WRITTEN PERMISSION

DIMENSION UNITS	SCALE	CURRENT REV DESC:			
mm	NTS				
GENERAL TOLERANCES (UNLESS SPECIFIED)		molex			
ANGULAR TOL ±		1.0 FPC CONN SMT ZIF EMBSTP PKG -LEAD FREE-			
4 PLACES ±		PRODUCT CUSTOMER DRAWING			
3 PLACES ±		DOCUMENT NUMBER			
2 PLACES ±		SD-52610-038			
1 PLACE ±		DOC TYPE			
0 PLACES ±		PSD			
DRAFT WHERE APPLICABLE MUST REMAIN WITHIN DIMENSIONS		DOC PART			
THIRD ANGLE PROJECTION		001			
DRAWING		REVISION			
A3-SIZE		D			
SERIES		SHEET NUMBER			
52610		4 OF 5			
MATERIAL NUMBER		CUSTOMER			
SEE TABLE		GENERAL MARKET			

EC NO: 719890
DRWN: DGONDO 2022/09/01
CHK'D: SMARUYAMA 2022/09/05
APPR: YNAITO 2022/09/05

INITIAL REVISION:
DRWN: NAIDA 2005/08/08
APPR: NUKITA 2005/08/22

GENERAL TOLERANCES (UNLESS SPECIFIED)	
10 ^{UNDER}	±0.2
10 ^{OVER} 30 ^{UNDER}	±0.25
30 ^{OVER}	±0.3
ANGULAR	±3°

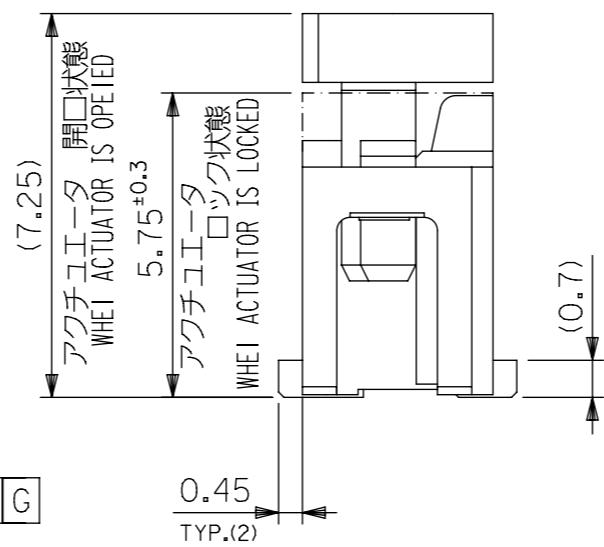
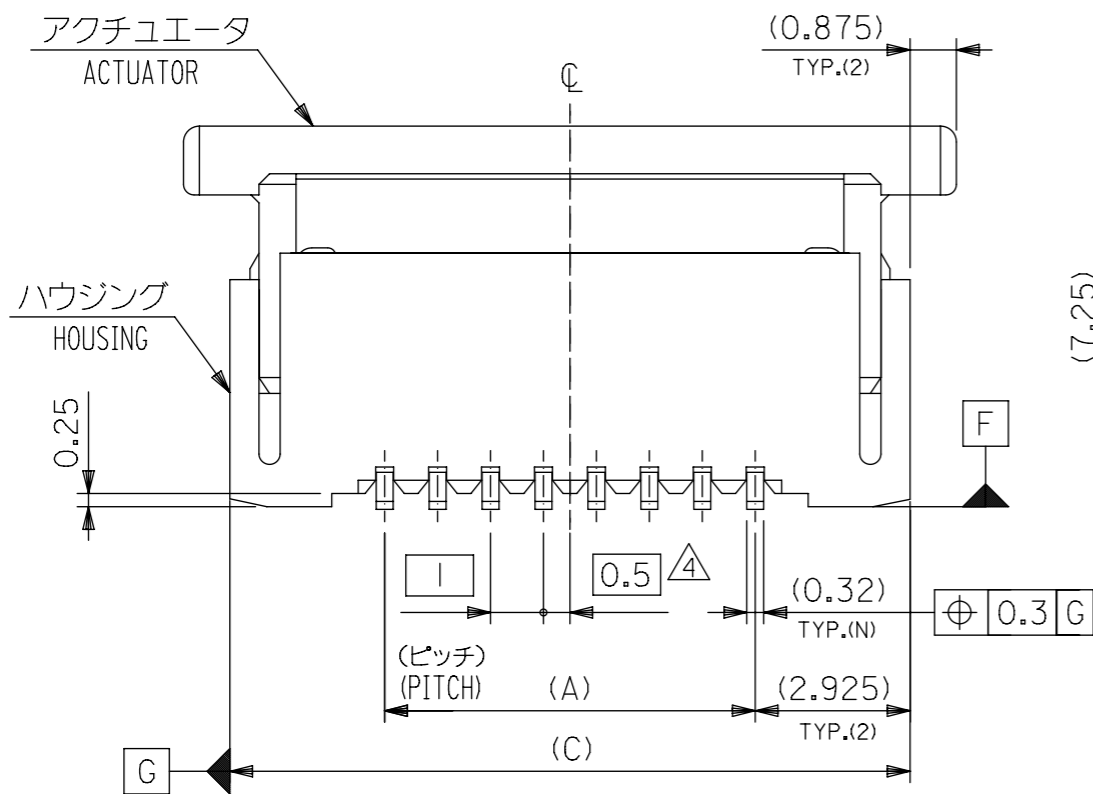
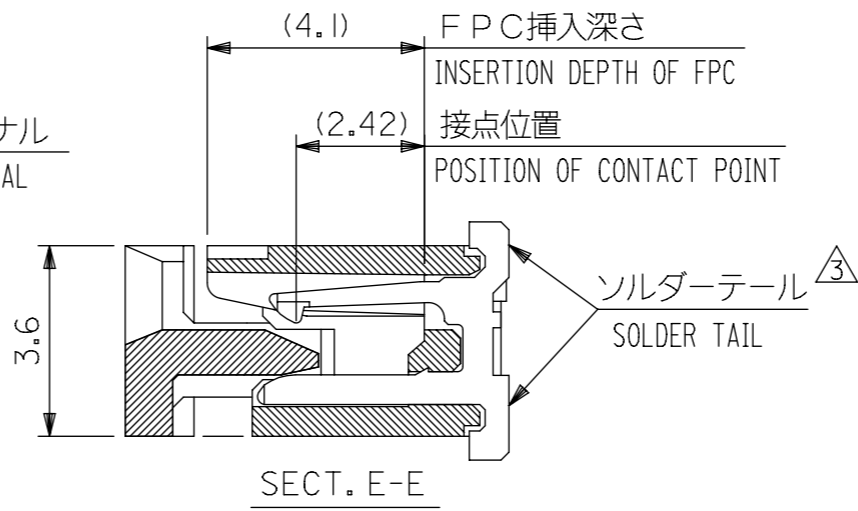
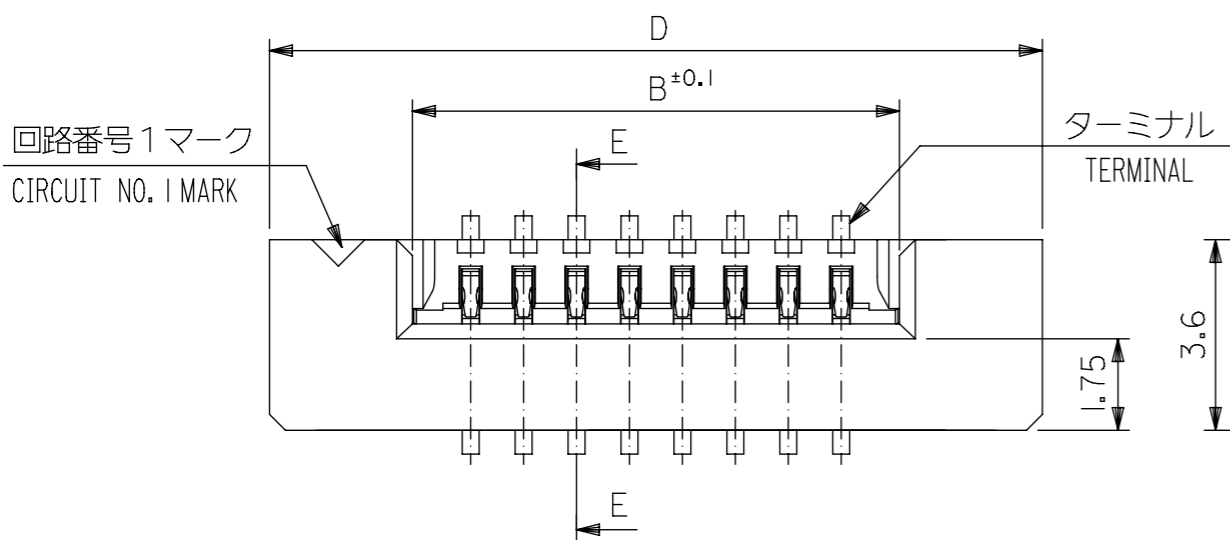


56	61.4	57.4	35.25	31.32	52610-3071	30
			33.25	29.32	52610-2871	28
キャリアテープ幅 CARRIER TAPE WIDTH	D	C	(B)	(A)	MATERIAL NO.	極数 CKT.

52610-**-71 MODEL NO.

THIS DRAWING CONTAINS INFORMATION THAT IS PROPRIETARY TO MOLEX ELECTRONIC TECHNOLOGIES, LLC AND SHOULD NOT BE USED WITHOUT WRITTEN PERMISSION		CURRENT REV DESC:		molex		
DIMENSION UNITS	SCALE					
mm	NTS			PRODUCT CUSTOMER DRAWING		
GENERAL TOLERANCES (UNLESS SPECIFIED)		GENERAL TOL ±		DOCUMENT NUMBER		
ANGULAR TOL ±		°		SD-52610-038		
4 PLACES ±				DOC TYPE		
3 PLACES ±				PSD		
2 PLACES ±				DOC PART		
1 PLACE ±				001		
0 PLACES ±				REVISION		
DRAFT WHERE APPLICABLE MUST REMAIN WITHIN DIMENSIONS		THIRD ANGLE PROJECTION		SHEET NUMBER		
		DRAWING		5 OF 5		
		SERIES		MATERIAL NUMBER		
		A3-SIZE		SEE TABLE		
		52610		CUSTOMER		
				GENERAL MARKET		

GENERAL TOLERANCES (UNLESS SPECIFIED)		
10 ^{UNDER}	±0.2	
10 ^{OVER} 30 ^{UNDER}	±0.25	
30 ^{OVER}	±0.3	
ANGULAR	±3°	

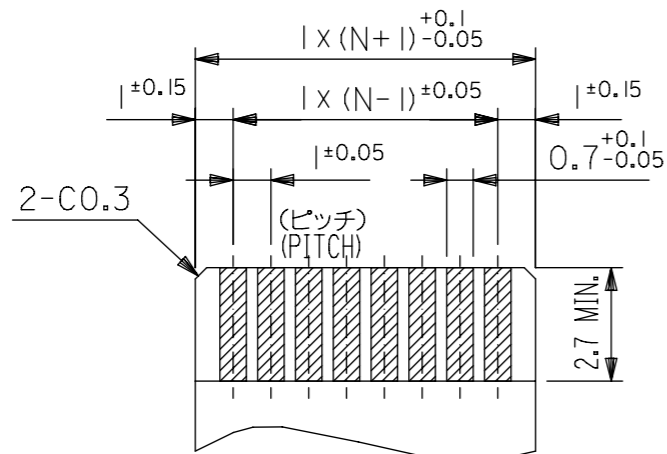


注記 (NOTES):

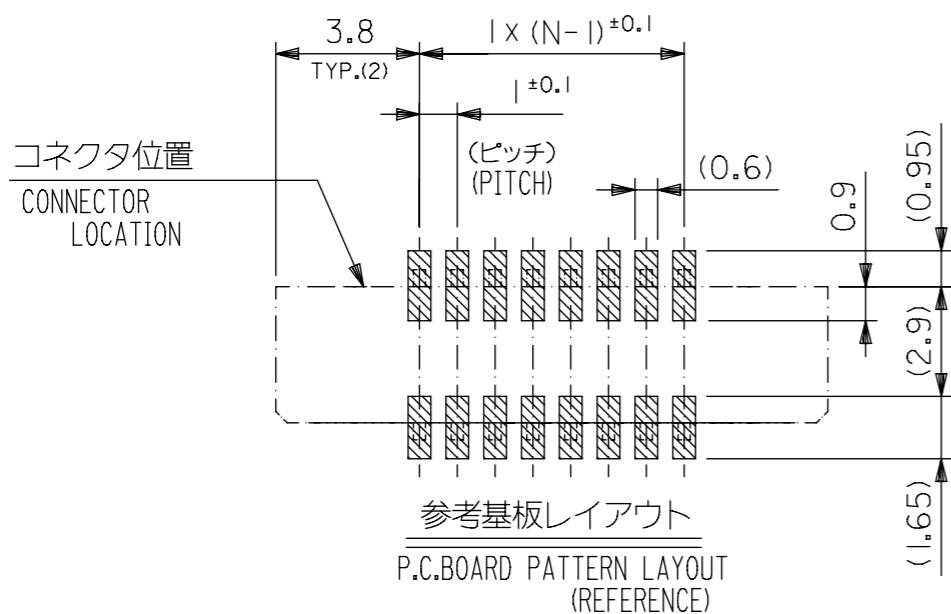
- 材料 (MATERIAL)
 ハウジング (HOUSING): 46NYLON, UL94V-0
 アクチュエータ (ACTUATOR): PPS, UL94V-0
 ターミナル (TERMINAL): リン青銅 (+0.32)
 PHOS-BRO
 錫 (3%±1%) ビスマスメッキ 1.0マイクロメートル以上
 TIN (3%±1%) BISMUTH 1.0 MICROMETER MINIMUM
 ニッケル下地 1.0マイクロメートル以上
 NICKEL (UNDER PLATING) 1.0 MICROMETER MINIMUM
- エンボステープ梱包時は、アクチュエータがロックした状態とする。
 IN THE PACKAGE, ACTUATOR OF PART NO. 52610-**16 SHOULD BE LOCKED.
- △3 ソルダータール半田付け面のズレ量は、基準面 [F] に対し上方向 0.05 MAX., 下方向 0.15 MAX. とする。
 MISALIGNMENT OF SOLDER TAILS FROM [F] UPPER DIRECTION : 0.05 MAX., LOWER DIRECTION : 0.15 MAX.
- △4 偶数極に適用。
 APPLY FOR EVEN CIRCUIT.
- 本製品は 52610-**17 の鉛フリー品です

THIS DRAWING CONTAINS INFORMATION THAT IS PROPRIETARY TO MOLEX ELECTRONIC TECHNOLOGIES, LLC AND SHOULD NOT BE USED WITHOUT WRITTEN PERMISSION		CURRENT REV DESC:		molex	
DIMENSION UNITS	SCALE				
mm	NTS			1.0 FPC CONNECTOR Z.I.F. FOR SMT.(ST.) -LEAD FREE-	
GENERAL TOLERANCES (UNLESS SPECIFIED)		GENERAL TOLERANCES (UNLESS SPECIFIED)		PRODUCT CUSTOMER DRAWING	
ANGULAR TOL ± °		ANGULAR TOL ± °		DOCUMENT NUMBER	
4 PLACES ±		4 PLACES ±		SD-52610-041	
3 PLACES ±		3 PLACES ±		DOC TYPE	
2 PLACES ±		2 PLACES ±		PSD	
1 PLACE ±		1 PLACE ±		DOC PART	
0 PLACES ±		0 PLACES ±		001	
DRAFT WHERE APPLICABLE MUST REMAIN WITHIN DIMENSIONS		THIRD ANGLE PROJECTION		REVISION	
				H	
DRAWING		SERIES		MATERIAL NUMBER	
A3-SIZE		52610		SEE SHEET-2	
CUSTOMER		GENERAL MARKET		SHEET NUMBER	
				1 OF 2	

GENERAL TOLERANCES (UNLESS SPECIFIED)	
10 ^{UNDER}	±0.2
10 ^{OVER} 30 ^{UNDER}	±0.25
30 ^{OVER}	±0.3
ANGULAR	±3°



適合FPC推奨寸法
 APPLICABLE FPC RECOMMENDED DIM.
 仕上がり厚さ(THICKNESS): 0.3 ±0.05



参考基板レイアウト
 P.C.BOARD PATTERN LAYOUT
 (REFERENCE)

FPCについて:
 打抜き方向は導体側から補強板側を推奨致します。
 補強フィルム材質はポリイミドを推奨致します。
 接着剤は熱硬化接着剤を推奨致します。

ABOUT FPC:
 RECOMMENDED PUNCHER DIRECTION : FROM CONDUCTOR SIDE TO STIFFENER BOARD SIDE.
 RECOMMENDED MATERIAL :
 STIFFENER FILM : POLYIMIDE
 BONDING AGENT : THRMOSSETTING BONDING AGENT

36.6	34.85	31.2	29	52610-3071	30
34.6	32.85	29.2	27	-2871	28
32.6	30.85	27.2	25	-2671	26
31.6	29.85	26.2	24	-2571	25
30.6	28.85	25.2	23	-2471	24
29.6	27.85	24.2	22	-2371	23
28.6	26.85	23.2	21	-2271	22
27.6	25.85	22.2	20	-2171	21
26.6	24.85	21.2	19	-2071	20
25.6	23.85	20.2	18	-1971	19
24.6	22.85	19.2	17	-1871	18
23.6	21.85	18.2	16	-1771	17
22.6	20.85	17.2	15	-1671	16
21.6	19.85	16.2	14	-1571	15
20.6	18.85	15.2	13	-1471	14
19.6	17.85	14.2	12	-1371	13
18.6	16.85	13.2	11	-1271	12
17.6	15.85	12.2	10	-1171	11
16.6	14.85	11.2	9	-1071	10
15.6	13.85	10.2	8	-0971	9
14.6	12.85	9.2	7	-0871	8
13.6	11.85	8.2	6	-0771	7
12.6	10.85	7.2	5	-0671	6
11.6	9.85	6.2	4	52610-0571	5
D	(C)	B	(A)	MATERIAL NO.	CKT.

THIS DRAWING CONTAINS INFORMATION THAT IS PROPRIETARY TO MOLEX ELECTRONIC TECHNOLOGIES, LLC AND SHOULD NOT BE USED WITHOUT WRITTEN PERMISSION

DIMENSION UNITS mm	SCALE NTS	CURRENT REV DESC:		molex		
GENERAL TOLERANCES (UNLESS SPECIFIED)		EC NO: 745355				
ANGULAR TOL ±	°	DRWN: RAJMOK		2023/04/06		
4 PLACES ±		CHK'D: HSHIMOYAMA		2023/04/07		
3 PLACES ±		APPR: HSHIMOYAMA		2023/04/07		
2 PLACES ±		INITIAL REVISION:		DOCUMENT NUMBER		
1 PLACE ±		DRWN: MNABEI		SD-52610-041		
0 PLACES ±		APPR: NUKITA		PSD 001 H		
DRAFT WHERE APPLICABLE MUST REMAIN WITHIN DIMENSIONS		THIRD ANGLE PROJECTION	DRAWING	SERIES	MATERIAL NUMBER	CUSTOMER
			A3-SIZE	52610	SEE TABLE	GENERAL MARKET
						SHEET NUMBER
						2 OF 2

GENERAL TOLERANCES (UNLESS SPECIFIED)	
10 ^{UNDER}	±0.2
10 ^{OVER} 30 ^{UNDER}	±0.25
30 ^{OVER}	±0.3
ANGULAR	±3 °