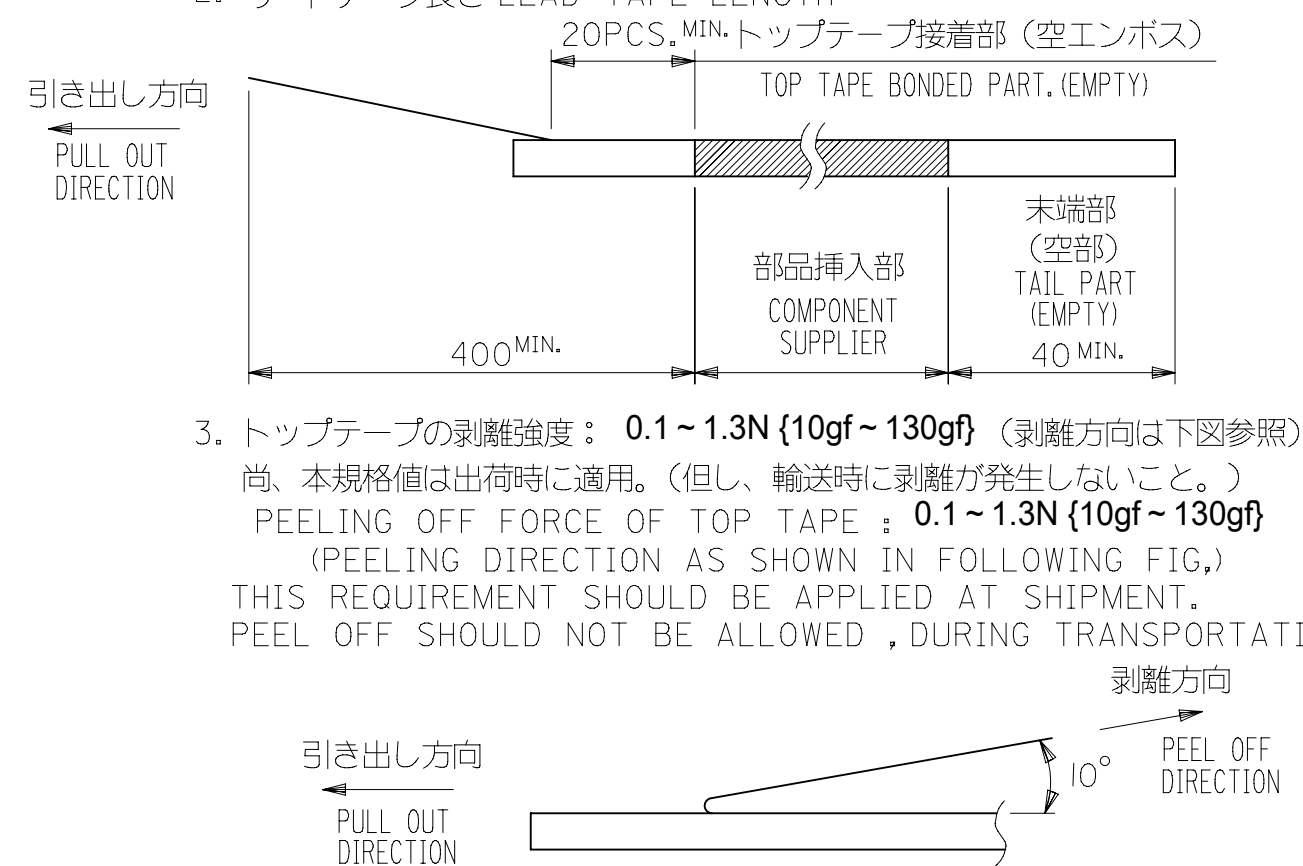


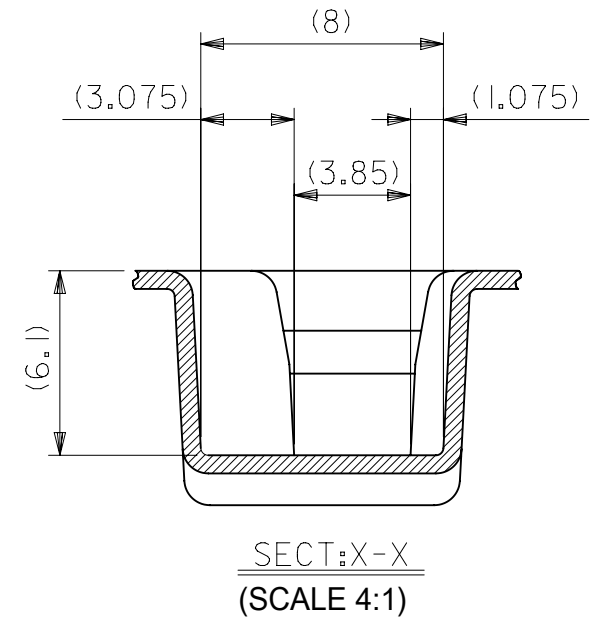
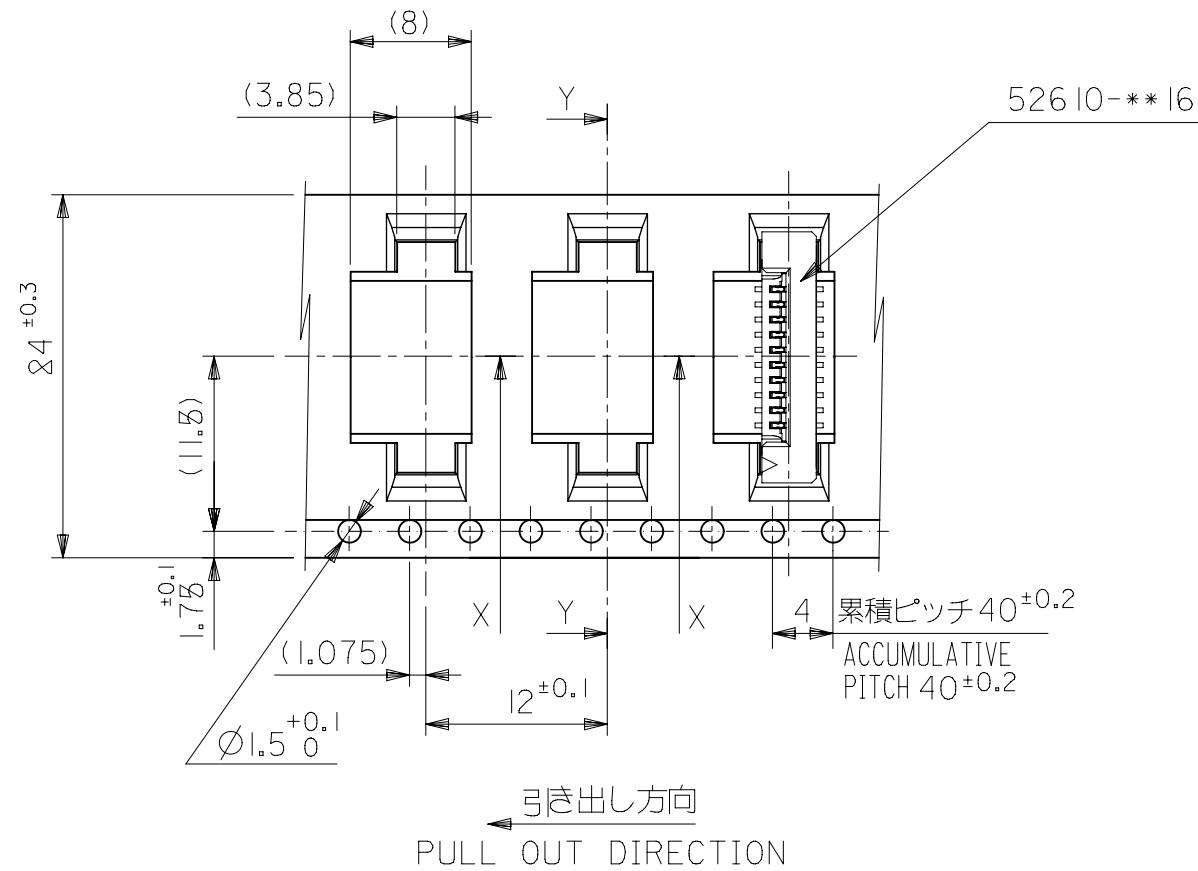
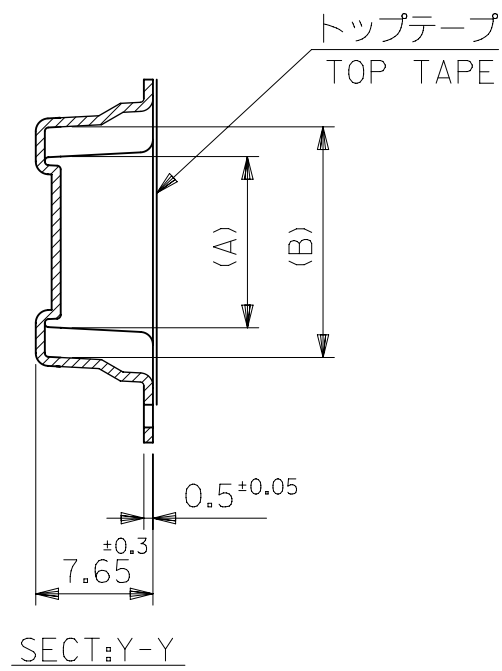
NOTES

- 梱包数量：1000個/リール
NUMBER OF CONNECTORS : 1000PCS/REEL
- リードテープ長さ LEAD TAPE LENGTH
20PCS. MIN. トップテープ接着部 (空エンボス)
TOP TAPE BONDED PART. (EMPTY)
部品挿入部
COMPONENT SUPPLIER
末端部 (空部)
TAIL PART (EMPTY)
40 MIN.
- トップテープの剥離強度：0.1~1.3N {10gf~130gf} (剥離方向は下図参照)
尚、本規格値は出荷時に適用。(但し、輸送時に剥離が発生しないこと。)
PEELING OFF FORCE OF TOP TAPE : 0.1~1.3N {10gf~130gf}
(PEELING DIRECTION AS SHOWN IN FOLLOWING FIG.)
THIS REQUIREMENT SHOULD BE APPLIED AT SHIPMENT.
PEEL OFF SHOULD NOT BE ALLOWED , DURING TRANSPORTATION.
- 52610-**-16のアクチュエータはハウジング内に押し下げた状態とする。
詳細寸法については 製品単体図面 を参照下さい。
ACTUATOR OF PART NO. 52610-**-16 SHOULD BE LOCKED.
RE DETAILED DIMENSIONS , SEE SALES DRAWING FOR CONNECTOR.
- 材料(MATERIAL)
キャリアテープ(CARRIER TAPE) : ポリプロピレン(POLYPROPYLENE)
トップテープ(TOPTAPE) : PET , PE , PEF
リール(REEL) : ポリスチレン (PS) <リサイクル材を含む>
POLYSTYREN(PS) <RECYCLE MATERIAL CONTAINED>
- 本製品は 52610-**-90 の鉛フリー品です
- 本製品は乾燥剤入り、ハイバリア梱包仕様である。
THIS PRODUCT IS HIGH BARRIER PACKAGE WITH DESICCANT.



| GENERAL TOLERANCES (UNLESS SPECIFIED) | |
|--|-------|
| 10 ^{UNDER} | ±0.2 |
| 10 ^{OVER} 30 ^{UNDER} | ±0.25 |
| 30 ^{OVER} | ±0.3 |
| ANGULAR | ±3° |

| | | | | | |
|---|-------|--|--|----------------------------|--|
| THIS DRAWING CONTAINS INFORMATION THAT IS PROPRIETARY TO MOLEX ELECTRONIC TECHNOLOGIES, LLC AND SHOULD NOT BE USED WITHOUT WRITTEN PERMISSION | | 52610-**71 | | MODEL NO. | |
| DIMENSION UNITS | SCALE | CURRENT REV DESC: | | | |
| mm | NTS | molex | | | |
| GENERAL TOLERANCES (UNLESS SPECIFIED) | | 1.0 FPC CONN SMT ZIF EMBSTP PKG -LEAD FREE- | | | |
| ANGULAR TOL ± | | PRODUCT CUSTOMER DRAWING | | | |
| 4 PLACES ± | * | EC NO: 719890 | | DOCUMENT NUMBER | |
| 3 PLACES ± | * | DRWN: DGONDO 2022/09/01 | | SD-52610-038 | |
| 2 PLACES ± | * | CHK'D: SMARUYAMA 2022/09/05 | | DOC TYPE DOC PART REVISION | |
| 1 PLACE ± | * | APPR: YNAITO 2022/09/05 | | PSD 001 D | |
| 0 PLACES ± | * | INITIAL REVISION: | | SHEET NUMBER | |
| DRAFT WHERE APPLICABLE MUST REMAIN WITHIN DIMENSIONS | | DRWN: NAIDA 2005/08/08 | | MATERIAL NUMBER | |
| THIRD ANGLE PROJECTION | | APPR: NUKITA 2005/08/22 | | CUSTOMER | |
| DRAWING | | SERIES | | GENERAL MARKET | |
| A3-SIZE | | 52610 | | 1 OF 5 | |

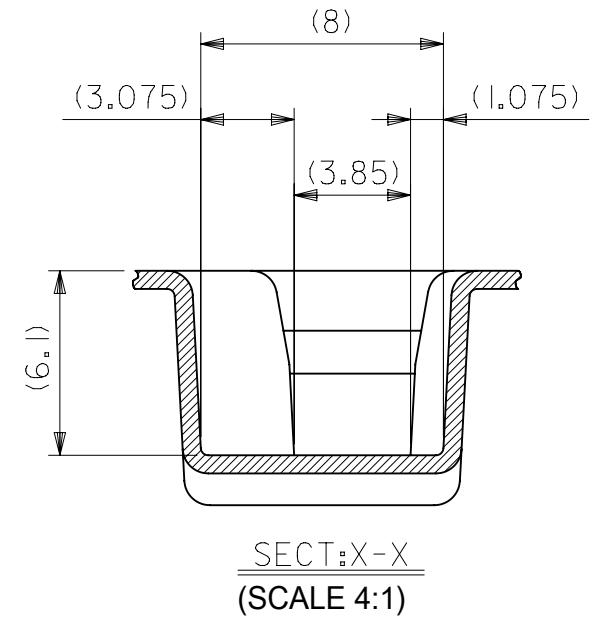
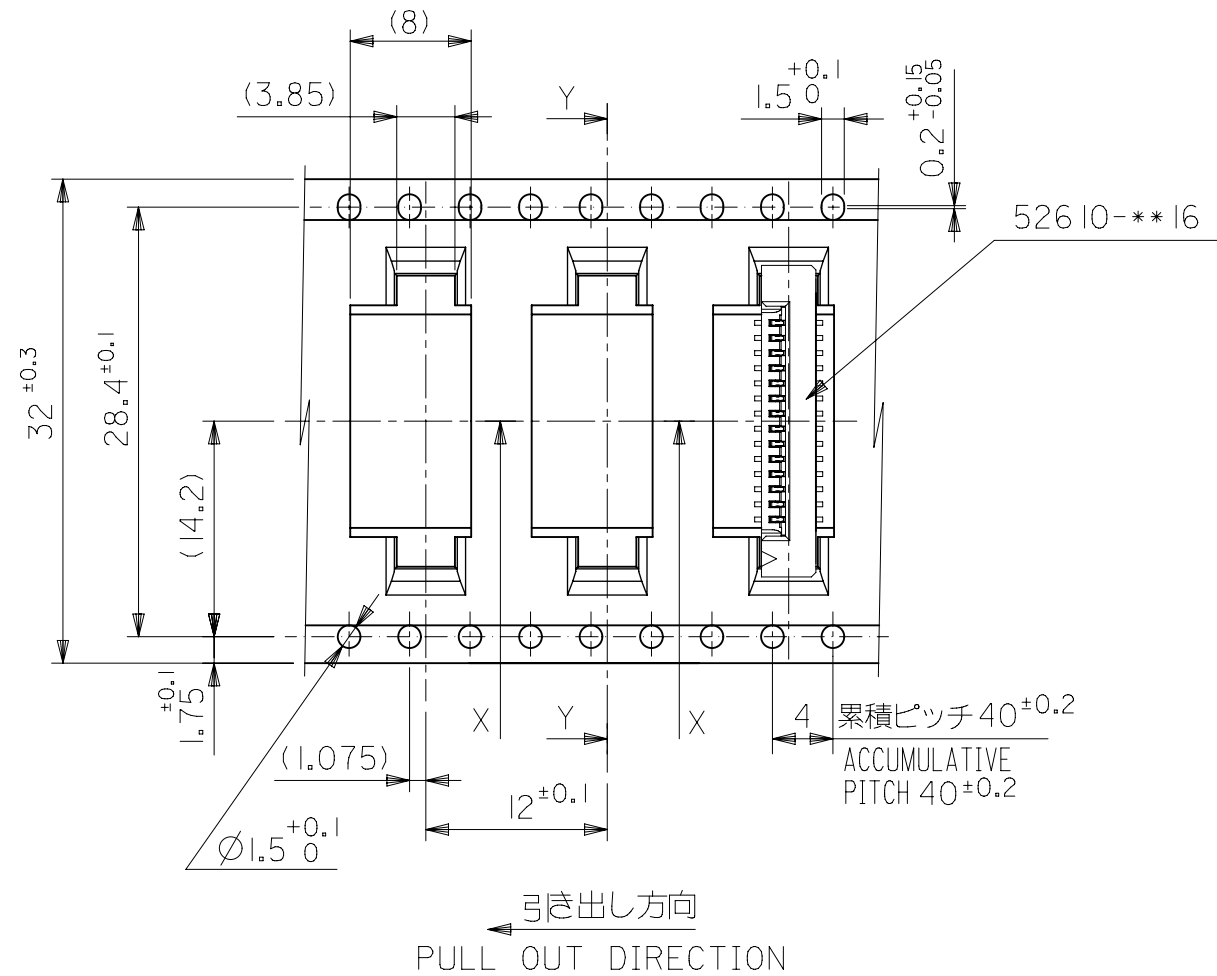
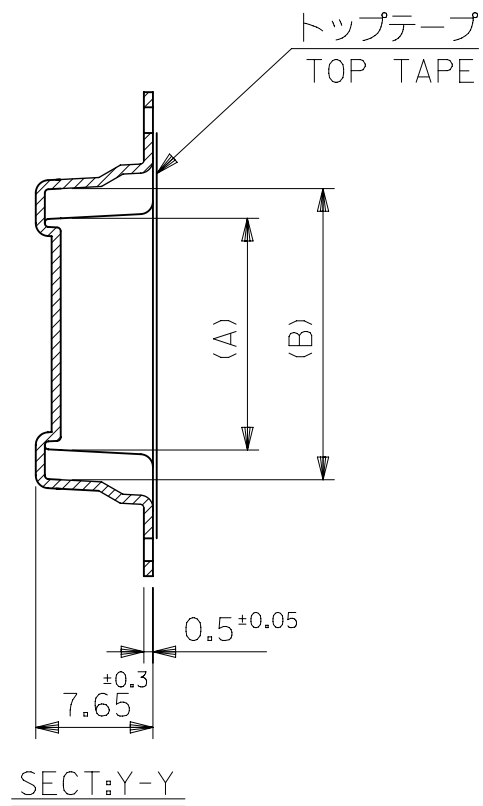


| | | | | | | |
|--------------------------------|------|------|-------|-------|--------------|------------|
| 24 | 29.4 | 25.4 | 15.25 | 11.32 | 52610-1071 | 10 |
| | | | 14.25 | 10.32 | 52610-0971 | 9 |
| | | | 13.25 | 9.32 | 52610-0871 | 8 |
| | | | 12.25 | 8.32 | 52610-0771 | 7 |
| | | | 11.25 | 7.32 | 52610-0671 | 6 |
| | | | 10.25 | 6.32 | 52610-0571 | 5 |
| キャリアテープ幅 CARRIER TAPE WIDTH | D | C | (B) | (A) | MATERIAL NO. | 極数 CKT. |

52610-**-71 MODEL NO.

| | | | | | | | | | |
|---|--|-------|--|--|--|----------------|--|-----------------|--|
| THIS DRAWING CONTAINS INFORMATION THAT IS PROPRIETARY TO MOLEX ELECTRONIC TECHNOLOGIES, LLC AND SHOULD NOT BE USED WITHOUT WRITTEN PERMISSION | | | | | | | | | |
| DIMENSION UNITS | | SCALE | | CURRENT REV DESC: | | | | | |
| mm | | NTS | | molex 1.0 FPC CONN SMT ZIF EMBSTP PKG -LEAD FREE- PRODUCT CUSTOMER DRAWING | | | | | |
| GENERAL TOLERANCES (UNLESS SPECIFIED) | | | | | | | | | |
| ANGULAR TOL ± | | | | | | | | | |
| 4 PLACES ± | | | | | | | | | |
| 3 PLACES ± | | | | | | | | | |
| 2 PLACES ± | | | | EC NO: 719890 | | 2022/09/01 | | DOCUMENT NUMBER | |
| 1 PLACE ± | | | | DRWN: DGONDO | | 2022/09/05 | | DOC TYPE | |
| 0 PLACES ± | | | | CHK'D: SMARUYAMA | | 2022/09/05 | | DOC PART | |
| DRAFT WHERE APPLICABLE MUST REMAIN WITHIN DIMENSIONS | | | | APPR: YNAITO | | 2022/09/05 | | REVISION | |
| THIRD ANGLE PROJECTION | | | | INITIAL REVISION: | | 2005/08/08 | | SD-52610-038 | |
| DRAWING | | | | DRWN: NAIDA | | 2005/08/22 | | PSD 001 D | |
| SERIES | | | | APPR: NUKITA | | 2005/08/22 | | SHEET NUMBER | |
| A3-SIZE | | | | MATERIAL NUMBER | | CUSTOMER | | 2 OF 5 | |
| 52610 | | | | SEE TABLE | | GENERAL MARKET | | | |

| | |
|--|-------|
| GENERAL TOLERANCES (UNLESS SPECIFIED) | |
| 10 ^{UNDER} | ±0.2 |
| 10 ^{OVER} 30 ^{UNDER} | ±0.25 |
| 30 ^{OVER} | ±0.3 |
| ANGULAR | ±3° |

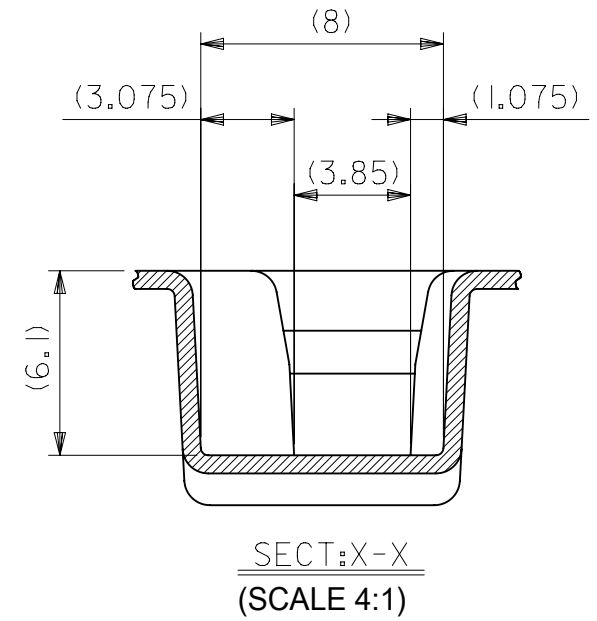
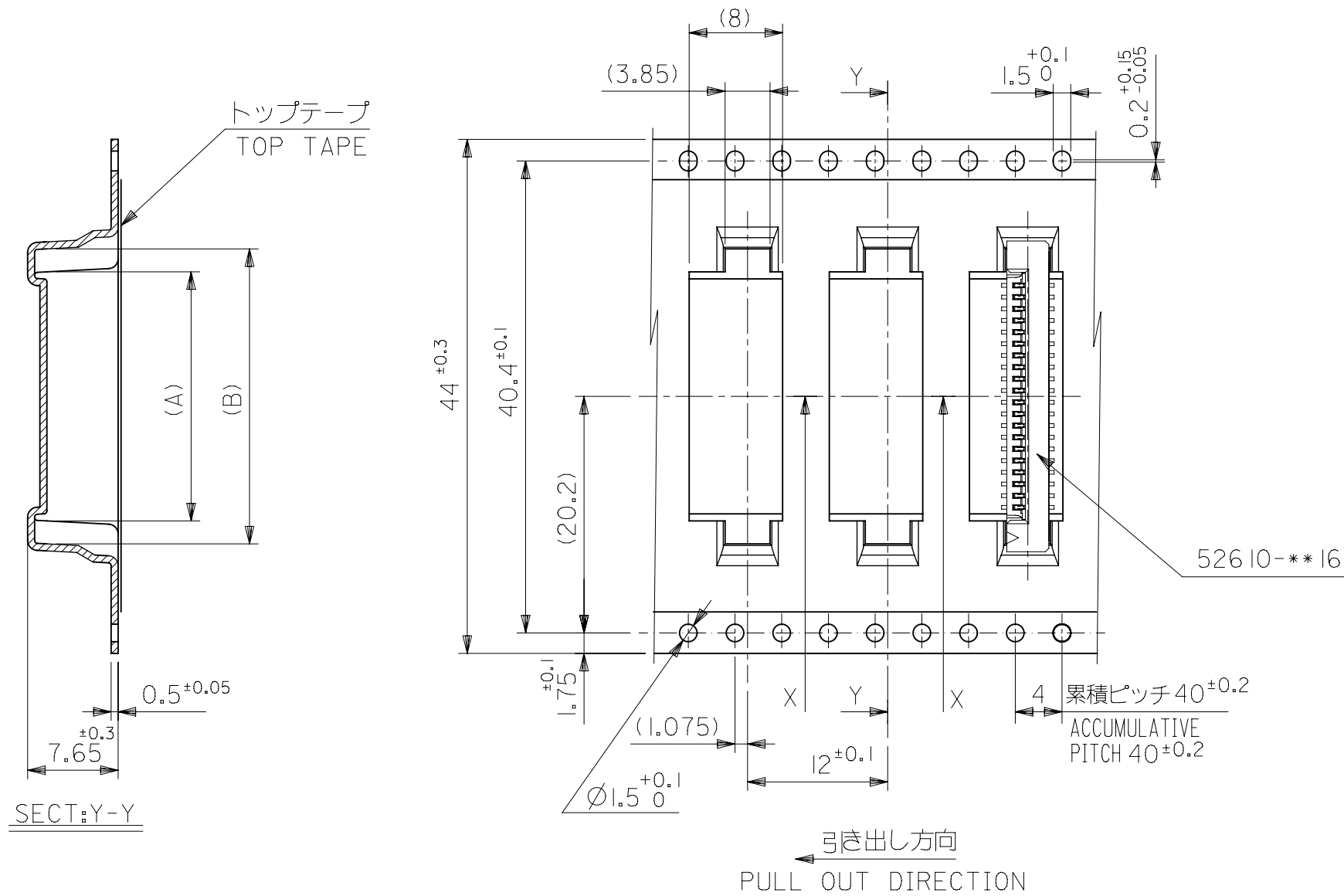


| | | | | | | |
|--------------------------------|------|------|-------|-------|--------------|------------|
| 32 | 37.4 | 33.4 | 20.25 | 16.32 | 52610-1571 | 15 |
| | | | 19.25 | 15.32 | 52610-1471 | 14 |
| | | | 18.25 | 14.32 | 52610-1371 | 13 |
| | | | 17.25 | 13.32 | 52610-1271 | 12 |
| | | | 16.25 | 12.32 | 52610-1171 | 11 |
| キャリアテープ幅 CARRIER TAPE WIDTH | D | C | (B) | (A) | MATERIAL NO. | 極数 CKT. |

52610-**71 MODEL NO.

| | | | | | | | | |
|---|-------|--|--|--------------------------|--|-----------------|----------|--|
| THIS DRAWING CONTAINS INFORMATION THAT IS PROPRIETARY TO MOLEX ELECTRONIC TECHNOLOGIES, LLC AND SHOULD NOT BE USED WITHOUT WRITTEN PERMISSION | | CURRENT REV DESC: | | molex | | | | |
| DIMENSION UNITS | SCALE | EC NO: 719890 | | | | | | 1.0 FPC CONN SMT ZIF EMBSTP PKG -LEAD FREE- |
| mm | NTS | DRWN: DGONDO 2022/09/01 | | PRODUCT CUSTOMER DRAWING | | | | |
| GENERAL TOLERANCES (UNLESS SPECIFIED) | | CHK'D: SMARUYAMA 2022/09/05 | | DOCUMENT NUMBER | | | | |
| ANGULAR TOL ± | | APPR: YNAITO 2022/09/05 | | SD-52610-038 | | DOC TYPE | DOC PART | REVISION |
| 4 PLACES ± | | INITIAL REVISION: | | 2005/08/08 | | PSD | 001 | D |
| 3 PLACES ± | | DRWN: NAIDA 2005/08/08 | | 2005/08/22 | | SHEET NUMBER | | |
| 2 PLACES ± | | APPR: NUKITA | | SERIES | | MATERIAL NUMBER | | CUSTOMER |
| 1 PLACE ± | | THIRD ANGLE PROJECTION | | DRAWING | | GENERAL MARKET | | 3 OF 5 |
| 0 PLACES ± | | DRAFT WHERE APPLICABLE MUST REMAIN WITHIN DIMENSIONS | | A3-SIZE | | SEE TABLE | | |

| | |
|--|-------|
| GENERAL TOLERANCES (UNLESS SPECIFIED) | |
| 10 ^{UNDER} | ±0.2 |
| 10 ^{OVER} 30 ^{UNDER} | ±0.25 |
| 30 ^{OVER} | ±0.3 |
| ANGULAR | ±3° |



| | | | | | | |
|--------------------------------|------|------|-------|-------|--------------|------------|
| 44 | 49.4 | 45.4 | 31.25 | 27.32 | 52610-2671 | 26 |
| | | | 30.25 | 26.32 | 52610-2571 | 25 |
| | | | 29.25 | 25.32 | 52610-2471 | 24 |
| | | | 28.25 | 24.32 | 52610-2371 | 23 |
| | | | 27.25 | 23.32 | 52610-2271 | 22 |
| | | | 26.25 | 22.32 | 52610-2171 | 21 |
| | | | 25.25 | 21.32 | 52610-2071 | 20 |
| | | | 24.25 | 20.32 | 52610-1971 | 19 |
| | | | 23.25 | 19.32 | 52610-1871 | 18 |
| | | | 22.25 | 18.32 | 52610-1771 | 17 |
| | | | 21.25 | 17.32 | 52610-1671 | 16 |
| キャリアテープ幅 CARRIER TAPE WIDTH | D | C | (B) | (A) | MATERIAL NO. | 極数 CKT. |

52610-**71 MODEL NO.

| | | | | | | | | | | | |
|---|--|-------|--|---------------------------------------|--|---------|--|-----------|--|-----------------|--|
| THIS DRAWING CONTAINS INFORMATION THAT IS PROPRIETARY TO MOLEX ELECTRONIC TECHNOLOGIES, LLC AND SHOULD NOT BE USED WITHOUT WRITTEN PERMISSION | | | | | | | | | | | |
| DIMENSION UNITS | | SCALE | | CURRENT REV DESC: | | | | | | | |
| mm | | NTS | | | | | | | | | |
| GENERAL TOLERANCES (UNLESS SPECIFIED) | | | | GENERAL TOLERANCES (UNLESS SPECIFIED) | | | | | | | |
| ANGULAR TOL ± | | | | ANGULAR TOL ± | | | | | | | |
| 4 PLACES ± | | | | 4 PLACES ± | | | | | | | |
| 3 PLACES ± | | | | 3 PLACES ± | | | | | | | |
| 2 PLACES ± | | | | 2 PLACES ± | | | | | | | |
| 1 PLACE ± | | | | 1 PLACE ± | | | | | | | |
| 0 PLACES ± | | | | 0 PLACES ± | | | | | | | |
| DRAFT WHERE APPLICABLE MUST REMAIN WITHIN DIMENSIONS | | | | THIRD ANGLE PROJECTION | | DRAWING | | SERIES | | MATERIAL NUMBER | |
| | | | | A3-SIZE | | 52610 | | SEE TABLE | | GENERAL MARKET | |

| | |
|--|-------|
| GENERAL TOLERANCES (UNLESS SPECIFIED) | |
| 10 ^{UNDER} | ±0.2 |
| 10 ^{OVER} 30 ^{UNDER} | ±0.25 |
| 30 ^{OVER} | ±0.3 |
| ANGULAR | ±3° |

EC NO: 719890
 DRWN: DGONDO 2022/09/01
 CHK'D: SMARUYAMA 2022/09/05
 APPR: YNAITO 2022/09/05

INITIAL REVISION:
 DRWN: NAIDA 2005/08/08
 APPR: NUKITA 2005/08/22

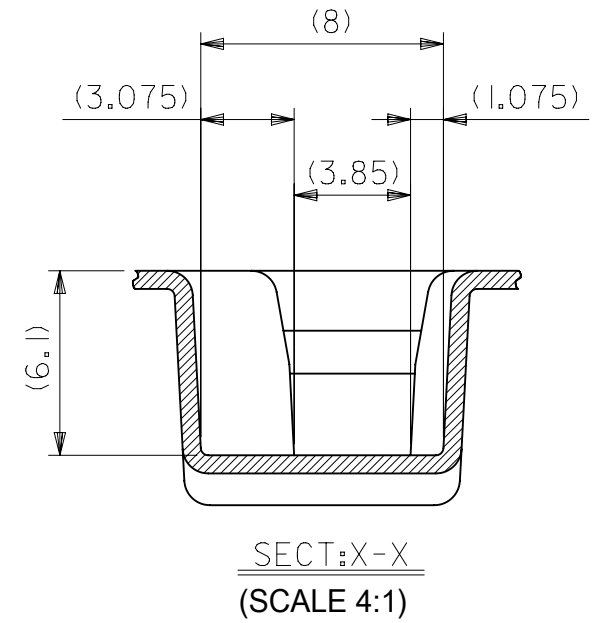
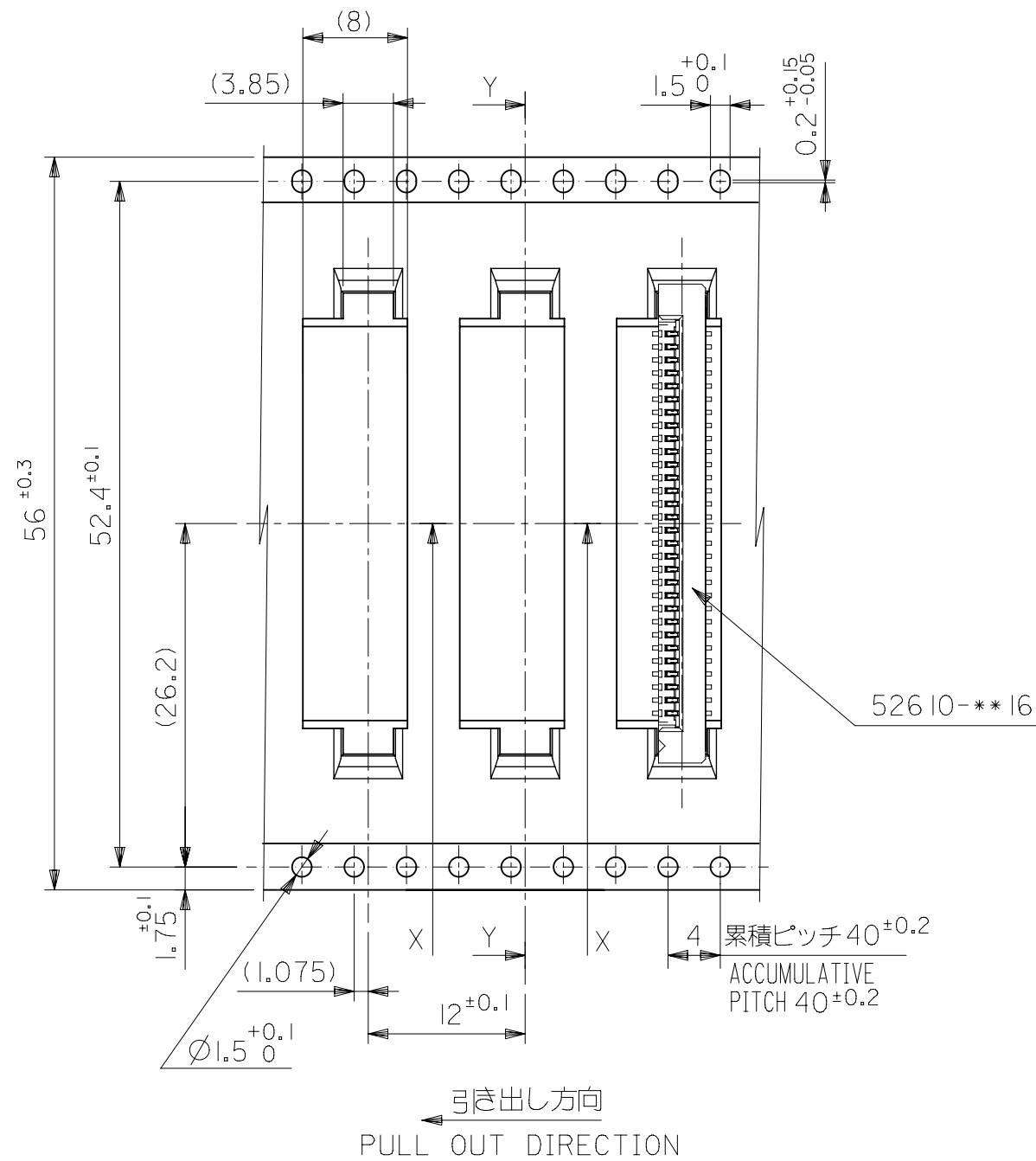
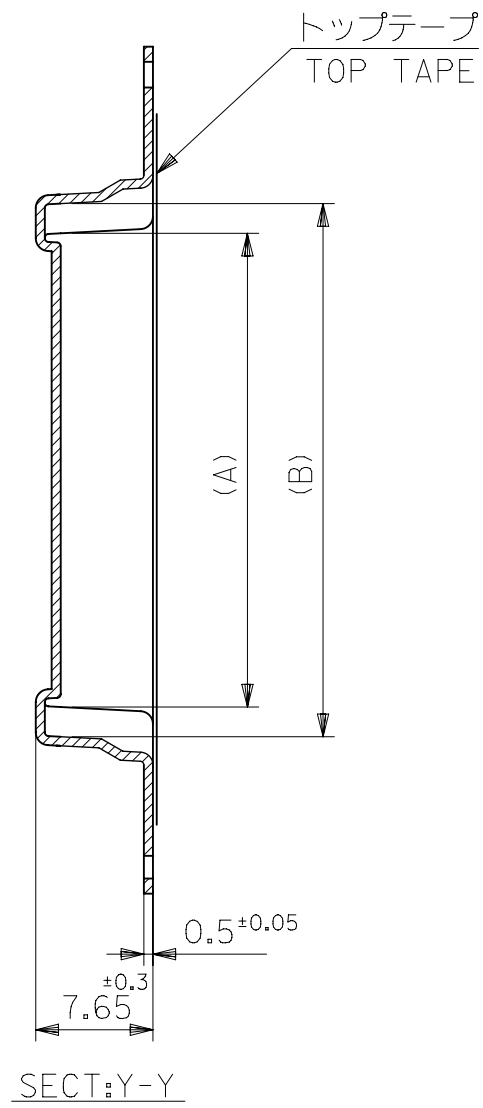
molex

1.0 FPC CONN SMT
 ZIF EMBSTP PKG -LEAD FREE-

PRODUCT CUSTOMER DRAWING

DOCUMENT NUMBER: SD-52610-038
 DOC TYPE: PSD
 DOC PART: 001
 REVISION: D

SHEET NUMBER: 4 OF 5

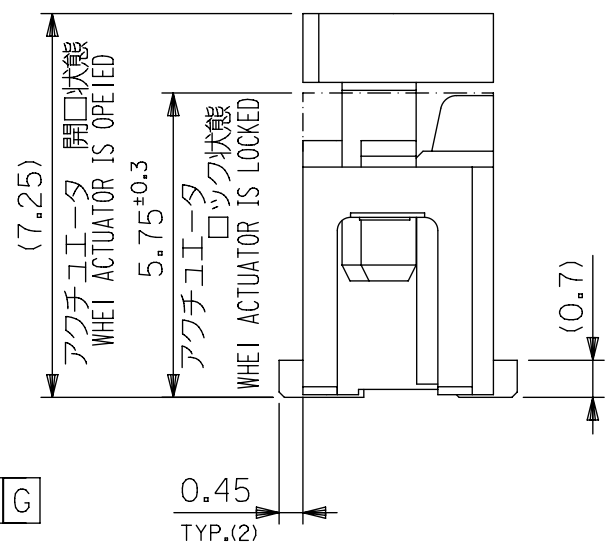
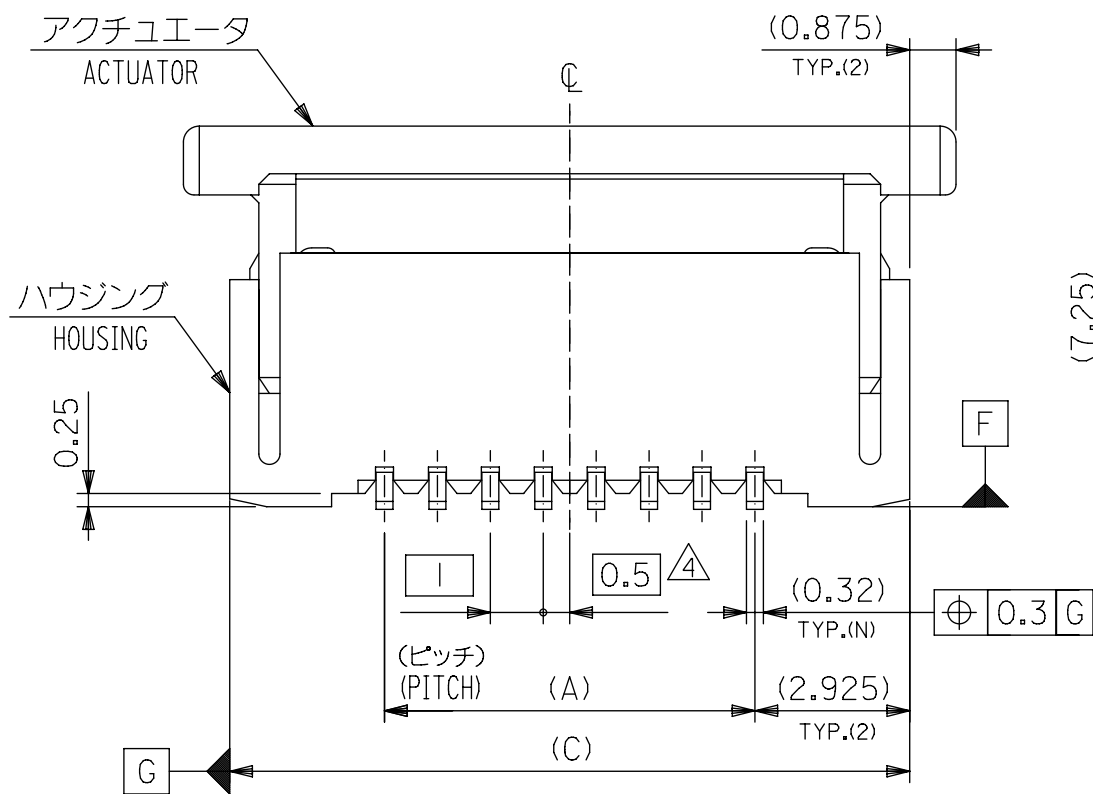
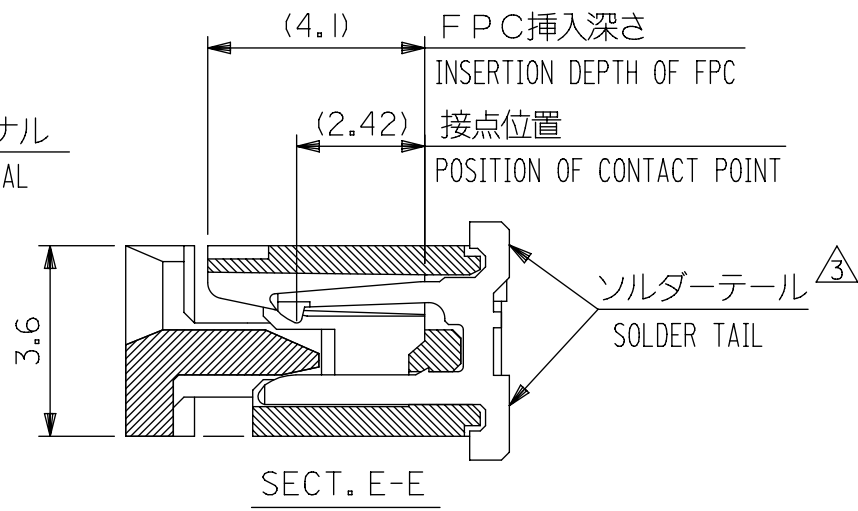
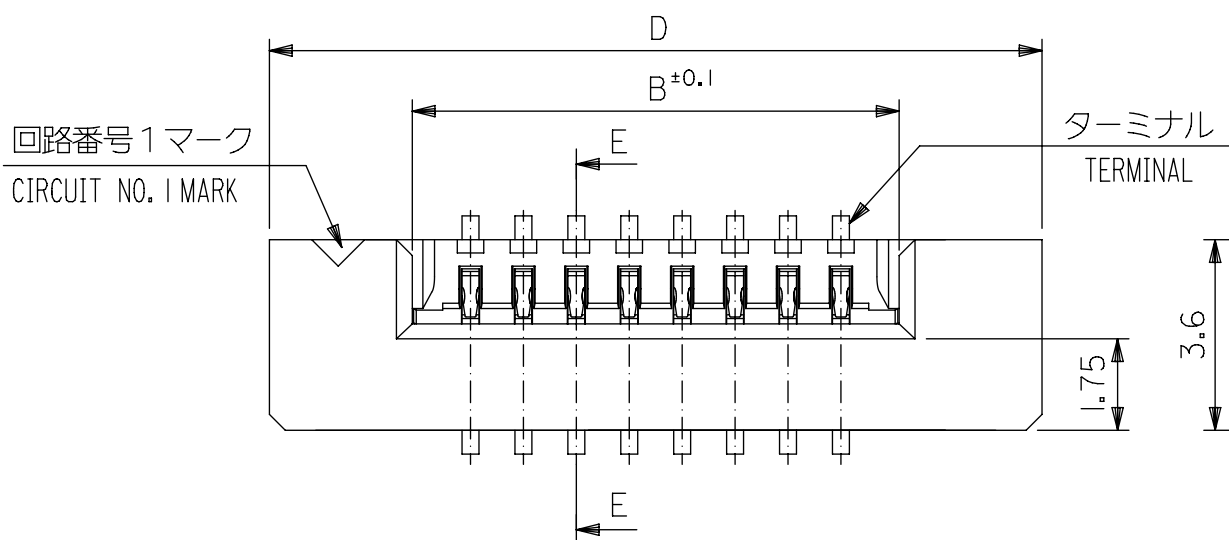


| | | | | | | |
|--------------------------------|------|------|-------|-------|--------------|------------|
| 56 | 61.4 | 57.4 | 35.25 | 31.32 | 52610-3071 | 30 |
| | | | 33.25 | 29.32 | 52610-2871 | 28 |
| キャリアテープ幅 CARRIER TAPE WIDTH | D | C | (B) | (A) | MATERIAL NO. | 極数 CKT. |

52610-**-71 MODEL NO.

| | | | | | | | | | |
|---|--|-------|--|--|--|--------------------------|--|----------------------------|--|
| THIS DRAWING CONTAINS INFORMATION THAT IS PROPRIETARY TO MOLEX ELECTRONIC TECHNOLOGIES, LLC AND SHOULD NOT BE USED WITHOUT WRITTEN PERMISSION | | | | | | | | | |
| DIMENSION UNITS | | SCALE | | CURRENT REV DESC: | | | | | |
| mm | | NTS | | molex 1.0 FPC CONN SMT ZIF EMBSTP PKG -LEAD FREE- PRODUCT CUSTOMER DRAWING | | | | | |
| GENERAL TOLERANCES (UNLESS SPECIFIED) | | | | | | | | | |
| ANGULAR TOL ± | | | | | | | | | |
| 4 PLACES ± | | | | | | | | | |
| 3 PLACES ± | | | | | | | | | |
| 2 PLACES ± | | | | EC NO: 719890 | | 2022/09/01 | | DOCUMENT NUMBER | |
| 1 PLACE ± | | | | DRWN: DGONDO | | 2022/09/05 | | SD-52610-038 | |
| 0 PLACES ± | | | | CHK'D: SMARUYAMA | | 2022/09/05 | | DOC TYPE DOC PART REVISION | |
| DRAFT WHERE APPLICABLE MUST REMAIN WITHIN DIMENSIONS | | | | APPR: YNAITO | | 2022/09/05 | | PSD 001 D | |
| THIRD ANGLE PROJECTION | | | | INITIAL REVISION: | | 2005/08/08 | | SHEET NUMBER | |
| DRAWING | | | | DRWN: NAIDA | | 2005/08/22 | | 5 OF 5 | |
| SERIES | | | | APPR: NUKITA | | 2005/08/22 | | MATERIAL NUMBER CUSTOMER | |
| A3-SIZE | | | | 52610 | | SEE TABLE GENERAL MARKET | | | |

| | |
|--|-------|
| GENERAL TOLERANCES (UNLESS SPECIFIED) | |
| 10 ^{UNDER} | ±0.2 |
| 10 ^{OVER} 30 ^{UNDER} | ±0.25 |
| 30 ^{OVER} | ±0.3 |
| ANGULAR | ±3° |

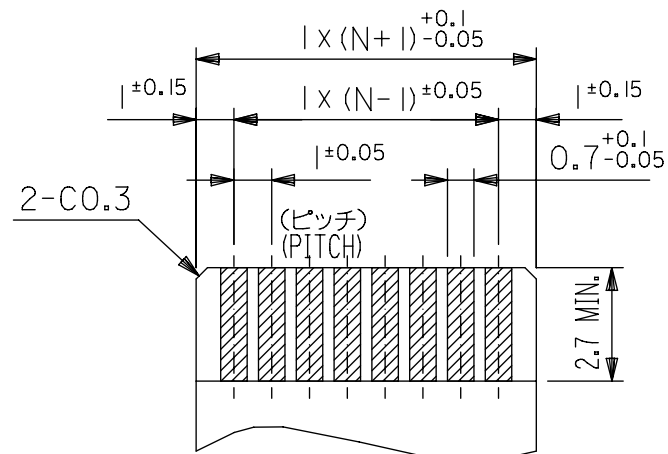


注記 (NOTES):

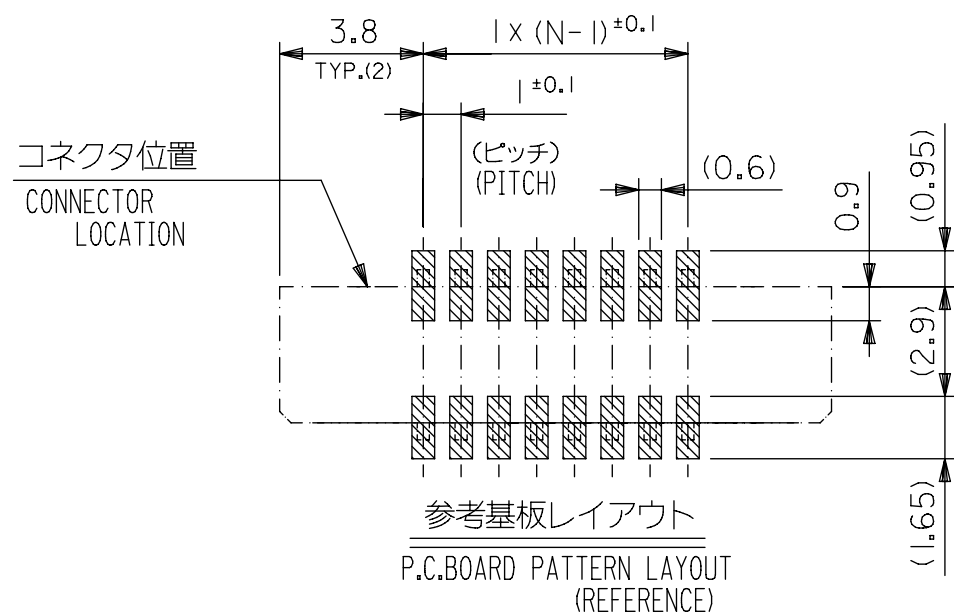
- 材料 (MATERIAL)
 ハウジング (HOUSING): 46NYLON, UL94V-0
 アクチュエータ (ACTUATOR): PPS, UL94V-0
 ターミナル (TERMINAL): リン青銅 (+0.32)
 PHOS-BRO
 錫 (3%±1%) ビスマスメッキ 1.0マイクロメートル以上
 TIN (3%±1%) BISMUTH 1.0 MICROMETER MINIMUM
 ニッケル下地 1.0マイクロメートル以上
 NICKEL (UNDER PLATING) 1.0 MICROMETER MINIMUM
- エンボステープ梱包時は、アクチュエータがロックした状態とする。
 IN THE PACKAGE, ACTUATOR OF PART NO. 52610-**16 SHOULD BE LOCKED.
- △3 ソルダータール半田付け面のズレ量は、基準面 [F] に対し上方向 0.05 MAX., 下方向 0.15 MAX. とする。
 MISALIGNMENT OF SOLDER TAILS FROM [F] UPPER DIRECTION : 0.05 MAX., LOWER DIRECTION : 0.15 MAX.
- △4 偶数極に適用。
 APPLY FOR EVEN CIRCUIT.
- 本製品は 52610-**17 の鉛フリー品です

| | | | | | |
|---|-------|---------------------------------------|--|---|--|
| THIS DRAWING CONTAINS INFORMATION THAT IS PROPRIETARY TO MOLEX ELECTRONIC TECHNOLOGIES, LLC AND SHOULD NOT BE USED WITHOUT WRITTEN PERMISSION | | CURRENT REV DESC: | | molex | |
| DIMENSION UNITS | SCALE | | | | |
| mm | NTS | | | 1.0 FPC CONNECTOR Z.I.F. FOR SMT.(ST.) -LEAD FREE- | |
| GENERAL TOLERANCES (UNLESS SPECIFIED) | | GENERAL TOLERANCES (UNLESS SPECIFIED) | | PRODUCT CUSTOMER DRAWING | |
| ANGULAR TOL ± ° | | ANGULAR TOL ± ° | | DOCUMENT NUMBER | |
| 4 PLACES ± | | 4 PLACES ± | | SD-52610-041 | |
| 3 PLACES ± | | 3 PLACES ± | | DOC TYPE | |
| 2 PLACES ± | | 2 PLACES ± | | PSD | |
| 1 PLACE ± | | 1 PLACE ± | | DOC PART | |
| 0 PLACES ± | | 0 PLACES ± | | 001 | |
| DRAFT WHERE APPLICABLE MUST REMAIN WITHIN DIMENSIONS | | THIRD ANGLE PROJECTION | | REVISION | |
| | | | | H | |
| DRAWING | | SERIES | | MATERIAL NUMBER | |
| A3-SIZE | | 52610 | | CUSTOMER | |
| SEE SHEET-2 | | GENERAL MARKET | | SHEET NUMBER | |
| 1 OF 2 | | | | | |

| | |
|--|-------|
| GENERAL TOLERANCES (UNLESS SPECIFIED) | |
| 10 ^{UNDER} | ±0.2 |
| 10 ^{OVER} 30 ^{UNDER} | ±0.25 |
| 30 ^{OVER} | ±0.3 |
| ANGULAR | ±3° |



適合FPC推奨寸法
 APPLICABLE FPC RECOMMENDED DIM.
 仕上がり厚さ(THICKNESS): 0.3 ±0.05



参考基板レイアウト
 P.C.BOARD PATTERN LAYOUT
 (REFERENCE)

FPCについて:
 打抜き方向は導体側から補強板側を推奨致します。
 補強フィルム材質はポリイミドを推奨致します。
 接着剤は熱硬化接着剤を推奨致します。

ABOUT FPC:
 RECOMMENDED PUNCHER DIRECTION : FROM CONDUCTOR SIDE TO STIFFENER BOARD SIDE.
 RECOMMENDED MATERIAL :
 STIFFENER FILM : POLYIMIDE
 BONDING AGENT : THERMOSETTING BONDING AGENT

| | | | | | |
|------|-------|------|-----|--------------|------|
| 36.6 | 34.85 | 31.2 | 29 | 52610-3071 | 30 |
| 34.6 | 32.85 | 29.2 | 27 | -2871 | 28 |
| 32.6 | 30.85 | 27.2 | 25 | -2671 | 26 |
| 31.6 | 29.85 | 26.2 | 24 | -2571 | 25 |
| 30.6 | 28.85 | 25.2 | 23 | -2471 | 24 |
| 29.6 | 27.85 | 24.2 | 22 | -2371 | 23 |
| 28.6 | 26.85 | 23.2 | 21 | -2271 | 22 |
| 27.6 | 25.85 | 22.2 | 20 | -2171 | 21 |
| 26.6 | 24.85 | 21.2 | 19 | -2071 | 20 |
| 25.6 | 23.85 | 20.2 | 18 | -1971 | 19 |
| 24.6 | 22.85 | 19.2 | 17 | -1871 | 18 |
| 23.6 | 21.85 | 18.2 | 16 | -1771 | 17 |
| 22.6 | 20.85 | 17.2 | 15 | -1671 | 16 |
| 21.6 | 19.85 | 16.2 | 14 | -1571 | 15 |
| 20.6 | 18.85 | 15.2 | 13 | -1471 | 14 |
| 19.6 | 17.85 | 14.2 | 12 | -1371 | 13 |
| 18.6 | 16.85 | 13.2 | 11 | -1271 | 12 |
| 17.6 | 15.85 | 12.2 | 10 | -1171 | 11 |
| 16.6 | 14.85 | 11.2 | 9 | -1071 | 10 |
| 15.6 | 13.85 | 10.2 | 8 | -0971 | 9 |
| 14.6 | 12.85 | 9.2 | 7 | -0871 | 8 |
| 13.6 | 11.85 | 8.2 | 6 | -0771 | 7 |
| 12.6 | 10.85 | 7.2 | 5 | -0671 | 6 |
| 11.6 | 9.85 | 6.2 | 4 | 52610-0571 | 5 |
| D | (C) | B | (A) | MATERIAL NO. | CKT. |

THIS DRAWING CONTAINS INFORMATION THAT IS PROPRIETARY TO MOLEX ELECTRONIC TECHNOLOGIES, LLC AND SHOULD NOT BE USED WITHOUT WRITTEN PERMISSION

| | | | | | | |
|--|--------------|-------------------|------------|--------------------------|----------------|--------------|
| DIMENSION UNITS mm | SCALE NTS | CURRENT REV DESC: | | molex | | |
| GENERAL TOLERANCES (UNLESS SPECIFIED) | | EC NO: 745355 | | | | |
| ANGULAR TOL ± ° | 4 PLACES ± | DRWN: RAJMOK | 2023/04/06 | PRODUCT CUSTOMER DRAWING | | |
| 3 PLACES ± | 2 PLACES ± | CHK'D: HSHIMOYAMA | 2023/04/07 | DOCUMENT NUMBER | | |
| 1 PLACE ± | 0 PLACES ± | APPR: HSHIMOYAMA | 2023/04/07 | SD-52610-041 | | |
| DRAFT WHERE APPLICABLE MUST REMAIN WITHIN DIMENSIONS | | INITIAL REVISION: | 2006/04/17 | DOC TYPE | DOC PART | REVISION |
| THIRD ANGLE PROJECTION | | DRWN: MNABEI | 2006/04/20 | MATERIAL NUMBER | CUSTOMER | SHEET NUMBER |
| DRAWING | | APPR: NUKITA | | SEE TABLE | GENERAL MARKET | 2 OF 2 |
| A3-SIZE | | SERIES | 52610 | | | |

| GENERAL TOLERANCES (UNLESS SPECIFIED) | |
|--|-------|
| 10 ^{UNDER} | ±0.2 |
| 10 ^{OVER} 30 ^{UNDER} | ±0.25 |
| 30 ^{OVER} | ±0.3 |
| ANGULAR | ±3 ° |