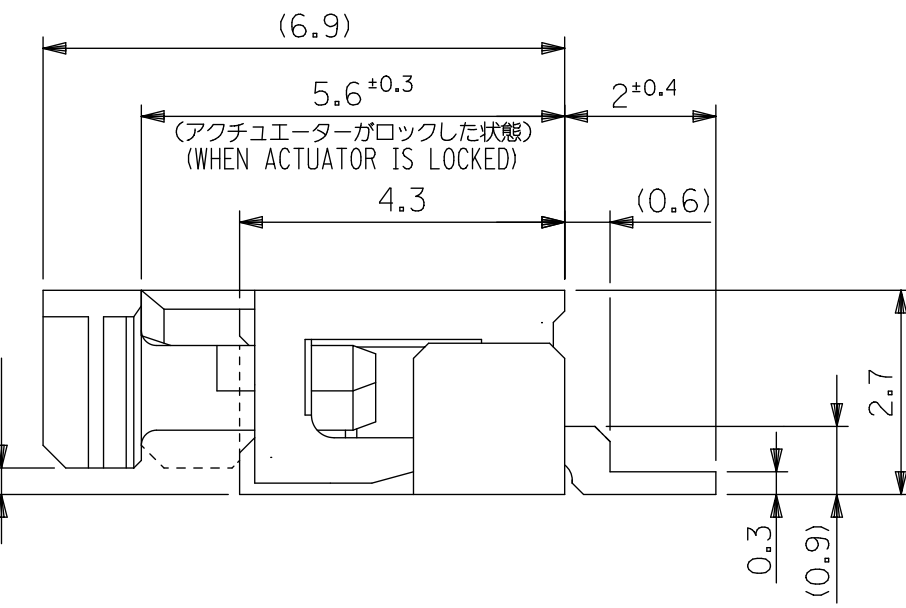
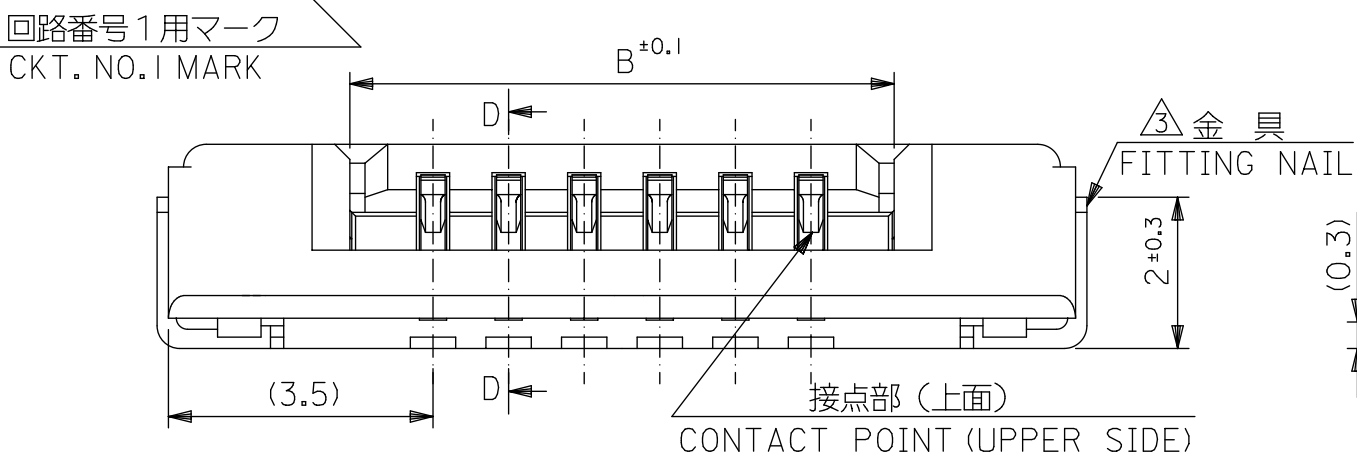
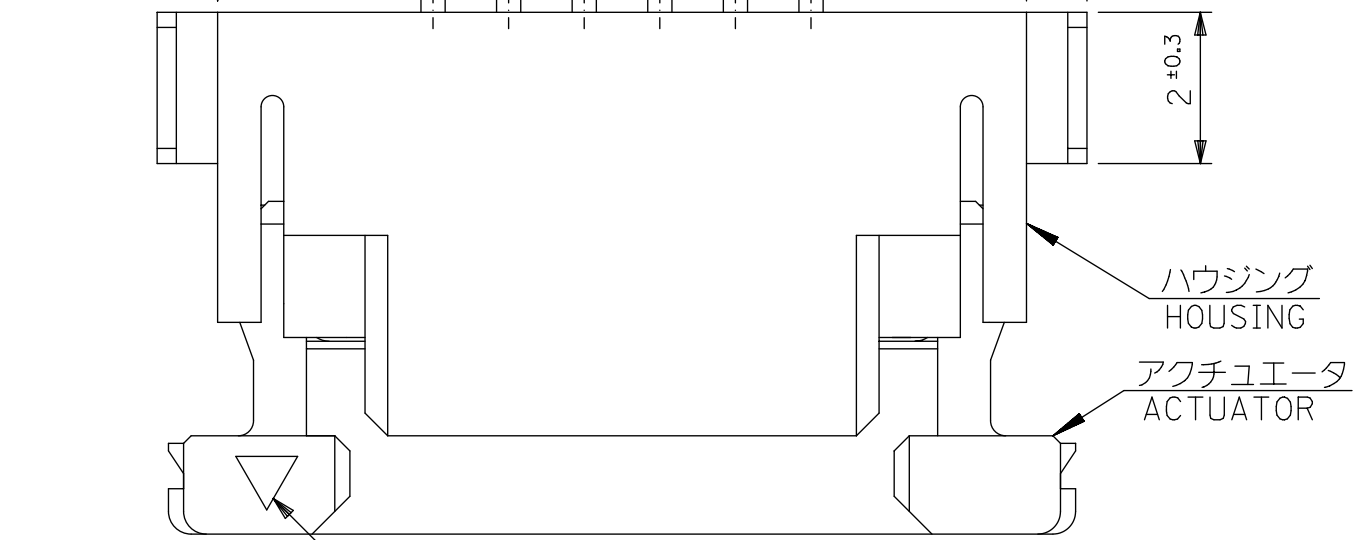


断面D-D
SECT.D-D



| | | | | |
|------|------|----|----------------------------|-------------|
| 38.7 | 35.2 | 33 | 52207-3485 | 34 |
| 34.7 | 31.2 | 29 | 52207-3085 | 30 |
| 33.7 | 30.2 | 28 | 52207-2985 | 29 |
| 32.7 | 29.2 | 27 | 52207-2885 | 28 |
| 31.7 | 28.2 | 26 | 52207-2785 | 27 |
| 30.7 | 27.2 | 25 | 52207-2685 | 26 |
| 29.7 | 26.2 | 24 | 52207-2585 | 25 |
| 28.7 | 25.2 | 23 | 52207-2485 | 24 |
| 27.7 | 24.2 | 22 | 52207-2385 | 23 |
| 26.7 | 23.2 | 21 | 52207-2285 | 22 |
| 25.7 | 22.2 | 20 | 52207-2185 | 21 |
| 24.7 | 21.2 | 19 | 52207-2085 | 20 |
| 23.7 | 20.2 | 18 | 52207-1985 | 19 |
| 22.7 | 19.2 | 17 | 52207-1885 | 18 |
| 21.7 | 18.2 | 16 | 52207-1785 | 17 |
| 20.7 | 17.2 | 15 | 52207-1685 | 16 |
| 19.7 | 16.2 | 14 | 52207-1585 | 15 |
| 18.7 | 15.2 | 13 | 52207-1485 | 14 |
| 17.7 | 14.2 | 12 | 52207-1385 | 13 |
| 16.7 | 13.2 | 11 | 52207-1285 | 12 |
| 15.7 | 12.2 | 10 | 52207-1185 | 11 |
| 14.7 | 11.2 | 9 | 52207-1085 | 10 |
| 13.7 | 10.2 | 8 | 52207-0985 | 9 |
| 12.7 | 9.2 | 7 | 52207-0885 | 8 |
| 11.7 | 8.2 | 6 | 52207-0785 | 7 |
| 10.7 | 7.2 | 5 | 52207-0685 | 6 |
| 9.7 | 6.2 | 4 | 52207-0585 | 5 |
| 8.7 | 5.2 | 3 | 52207-0485 | 4 |
| 7.7 | 4.2 | 2 | 52207-0385 | 3 |
| C | B | A | EMBOSSED PACKAGE ORDER NO. | 極数 CIRCUITS |

CONNECTOR SERIES NO. 52207-**19

THIS DRAWING CONTAINS INFORMATION THAT IS PROPRIETARY TO MOLEX ELECTRONIC TECHNOLOGIES, LLC AND SHOULD NOT BE USED WITHOUT WRITTEN PERMISSION

SCALE: mm NTS

GENERAL TOLERANCES (UNLESS SPECIFIED)

ANGULAR TOL ± °

4 PLACES ±

3 PLACES ±

2 PLACES ±

1 PLACE ±

0 PLACES ±

DRAFT WHERE APPLICABLE MUST REMAIN WITHIN DIMENSIONS

THIRD ANGLE PROJECTION

DRAWING: A3-SIZE

SERIES: 52207

MATERIAL NUMBER: SEE TABLE

CUSTOMER: GENERAL MARKET

SHEET NUMBER: 1 OF 2

EC NO: 719890

DRWN: NARENC 2022/08/22

CHK'D: SMARUYAMA 2022/09/05

APPR: YNAITO 2022/09/05

INITIAL REVISION:

DRWN: MNINOMIYA 2004/02/18

APPR: MSASAO 2004/02/18

DOCUMENT NUMBER: SD-52207-060

DOC TYPE: PSD

DOC PART: 001

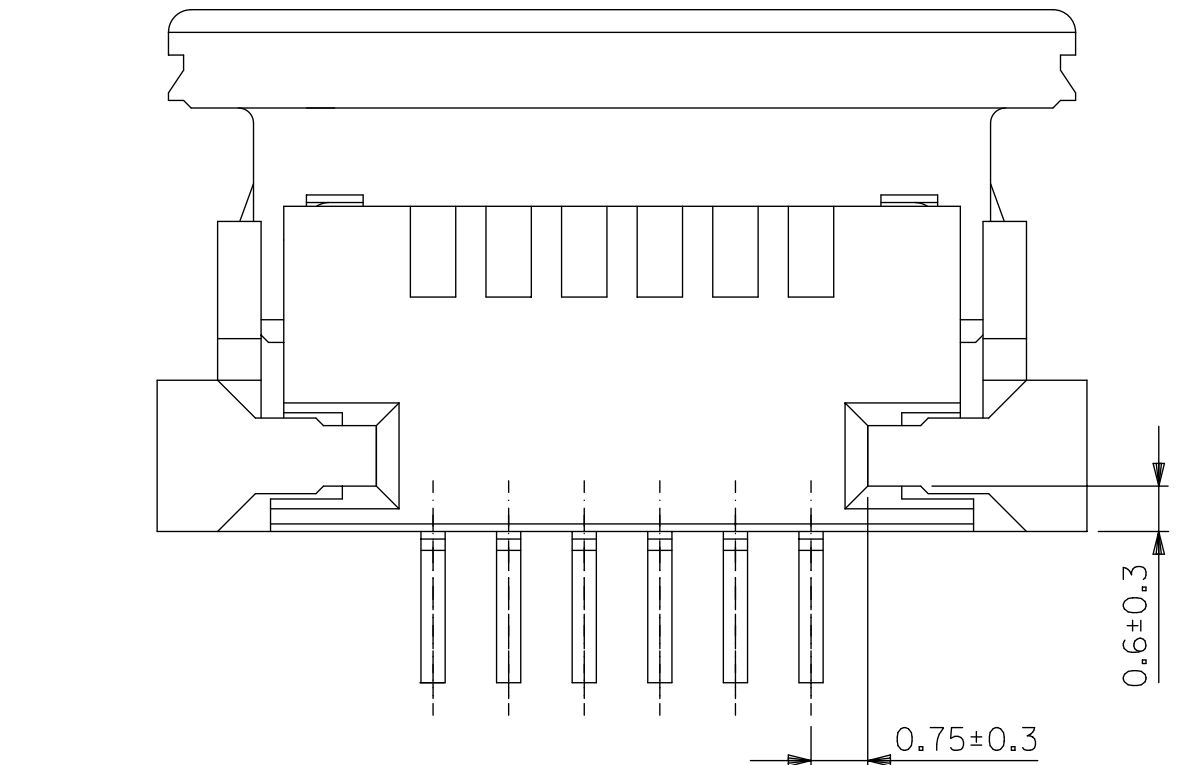
REVISION: F

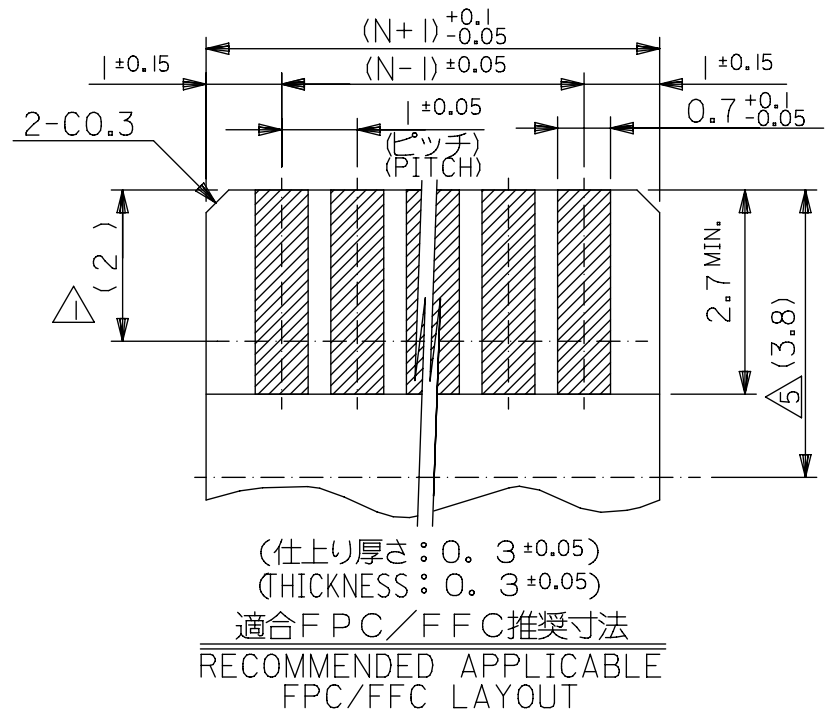
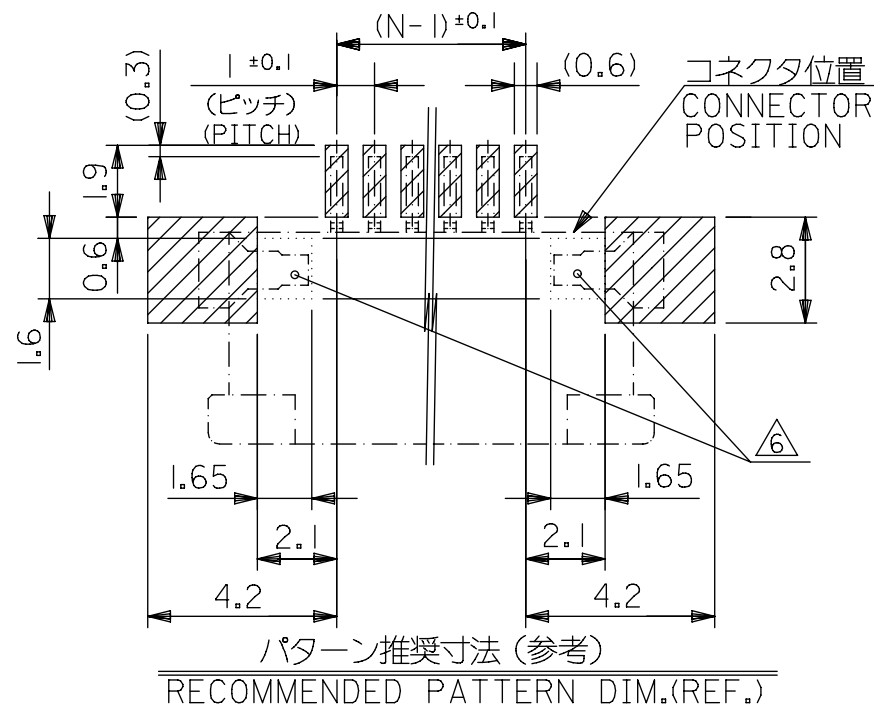
PRODUCT CUSTOMER DRAWING

1.0 PITCH FPC CONN. ZIF SMT -LEAD FREE-

GENERAL TOLERANCES (UNLESS SPECIFIED)

| | |
|--|-------|
| 10 ^{UNDER} | ±0.2 |
| 10 ^{OVER} 30 ^{UNDER} | ±0.25 |
| 30 ^{OVER} | ±0.3 |
| ANGULAR | ±3° |





注記 NOTES

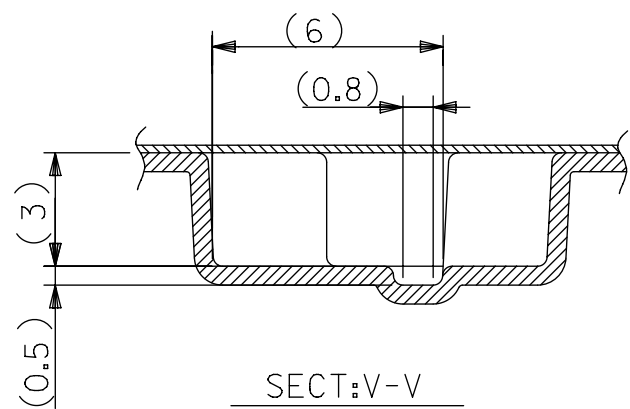
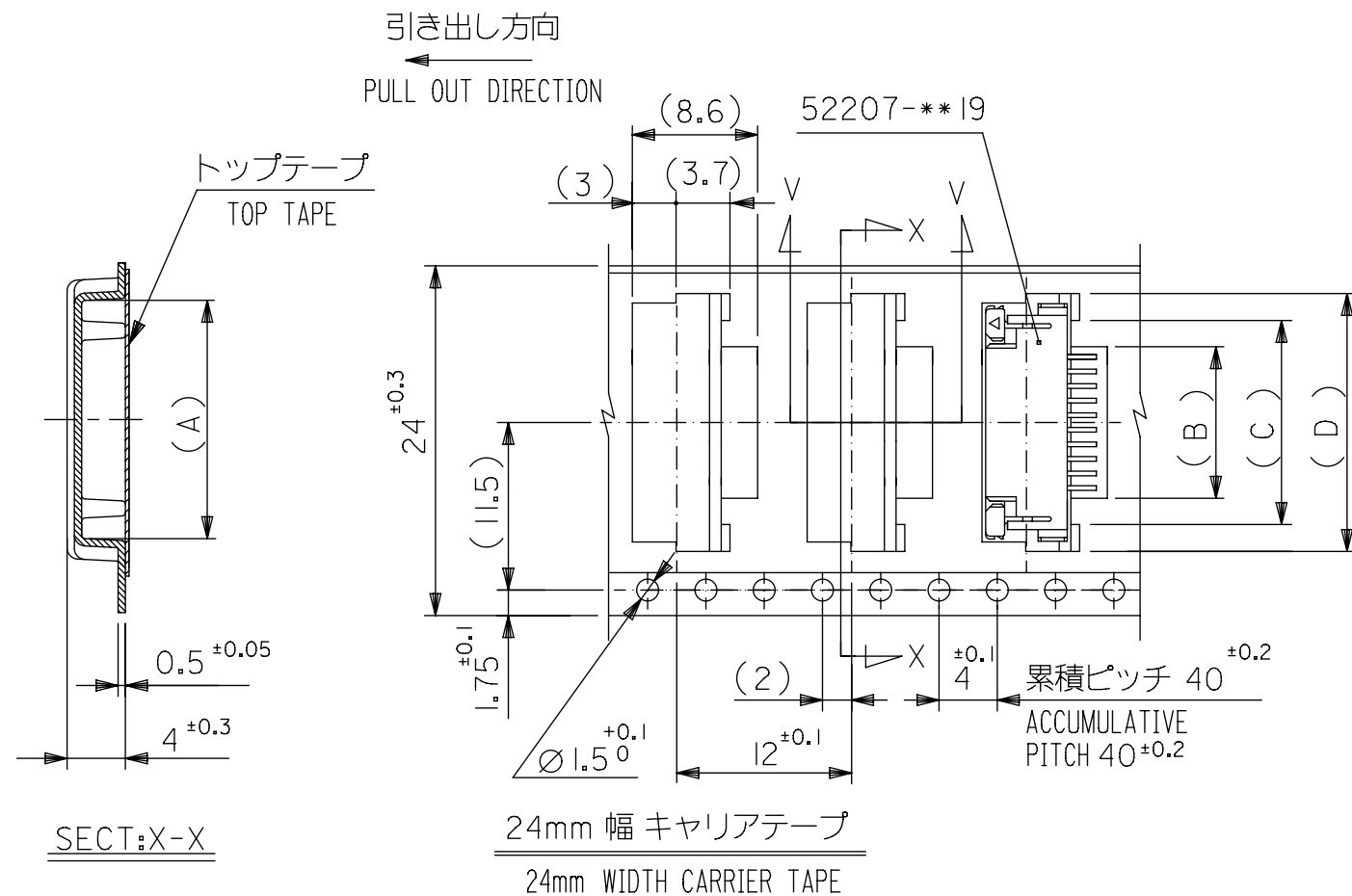
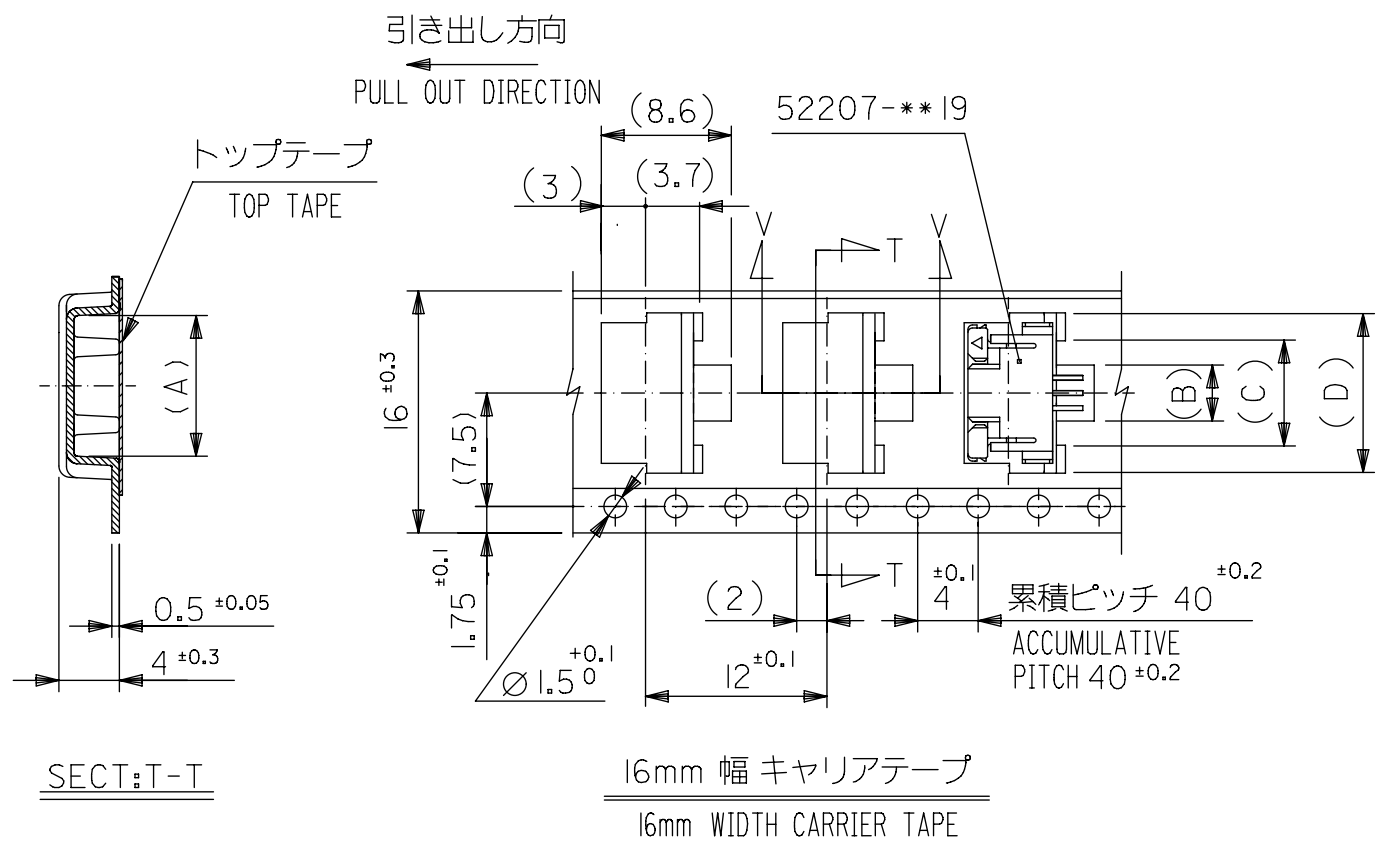
- △ 接点部までの嵌合長さ。
LENGTH TO CONTACT POINT.
- 2. 使用材料 MATERIAL
 - ハウジング : 46ナイロン (耐熱性), UL94V-0
HOUSING : 46NYLON, UL94V-0
 - アクチュエータ : PPS, UL94V-0
ACTUATOR : PPS, UL94V-0
 - ターミナル : リン青銅
TERMINAL : PHOSPHOR BRONZE
 - 錫・ビスマスマッキ 1.0マイクロメートル以上
: TIN BISMUTH 1.0 MICROMETER MINIMUM
 - ニッケル下地 1.0マイクロメートル以上
: NICKEL (UNDER PLATING) 1.0 MICROMETER MINIMUM
 - 銅合金
: COPPER ALLOY
 - 金具 FITTING NAIL : 錫メッキ 1.0マイクロメートル以上
: TIN 1.0 MICROMETER MINIMUM
 - : ニッケル下地 1.0マイクロメートル以上
: NICKEL (UNDER PLATING) 1.0 MICROMETER MINIMUM
- ③ パターンはくり止め用金具
FITTING NAIL FOR PREVENTION OF PEELING OF P.C.B. PATTERN.
- 4. エンボステーブ梱包時は、アクチュエータがロックした状態とする。
IN THE PACKAGE, ACTUATOR OF PART NO. 52207-**-19 SHOULD BE LOCKED.
- △ ケーブル挿入深さ
INSERTION DEPTH OF CABLE.
- ⑥ パターン書き込み禁止エリア。
NO FOOT PRINT AREA.
- 7. 本製品は 52207-**-17 の鉛フリー品である。
THIS PRODUCT IS LEAD FREE OF 52207-**-17.
- 8. ELV及びRoHS適合品
ELV AND RoHS COMPLIANT

FPCについて:

打抜き方向は導体側から補強板を推奨致します。
補強フィルム材質はポリイミドを推奨致します。
接着剤は熱硬化接着剤を推奨致します。

ABOUT FPC:
RECOMMENDED PUNCHER DIRECTION : FROM CONDUCTOR SIDE TO STIFFENER BOARD SIDE.
RECOMMENDED MATERIAL :
STIFFENER FILM : POLYIMIDE
BONDING AGENT : THERMOSETTING BONDING AGENT

| | | | | | |
|---|-------|-------------------|------------|--|--|
| THIS DRAWING CONTAINS INFORMATION THAT IS PROPRIETARY TO MOLEX ELECTRONIC TECHNOLOGIES, LLC AND SHOULD NOT BE USED WITHOUT WRITTEN PERMISSION | | CURRENT REV DESC: | | molex | |
| DIMENSION UNITS | SCALE | | | | |
| mm | NTS | | | 1.0 PITCH FPC CONN. ZIF SMT -LEAD FREE- | |
| GENERAL TOLERANCES (UNLESS SPECIFIED) | | ANGULAR TOL ± ° | | PRODUCT CUSTOMER DRAWING | |
| 4 PLACES | ± | EC NO: 719890 | 2022/08/22 | DOCUMENT NUMBER | |
| 3 PLACES | ± | DRWN: NARENC | 2022/09/05 | DOC TYPE DOC PART REVISION | |
| 2 PLACES | ± | CHK'D: SMARUYAMA | 2022/09/05 | SD-52207-060 | |
| 1 PLACE | ± | APPR: YNAITO | 2022/09/05 | PSD 001 F | |
| 0 PLACES | ± | INITIAL REVISION: | | MATERIAL NUMBER | |
| DRAFT WHERE APPLICABLE MUST REMAIN WITHIN DIMENSIONS | | DRWN: MNINOMIYA | 2004/02/18 | CUSTOMER | |
| THIRD ANGLE PROJECTION | | APPR: MSASAO | 2004/02/18 | GENERAL MARKET | |
| DRAWING | | SERIES | | SHEET NUMBER | |
| A3-SIZE | | 52207 | | 2 OF 2 | |



| | | | | | | | | | |
|-------------|--------------------------------|------|------|------|-----|------|------|--------------|------------|
| | | | | 18.5 | 15 | 11.7 | 17.3 | 52207-1185 | 11 |
| | | | | 17.5 | 14 | 10.7 | 16.3 | 4 -1085 | 10 |
| | | | | 16.5 | 13 | 9.7 | 15.3 | -0985 | 9 |
| | | | | 15.5 | 12 | 8.7 | 14.3 | -0885 | 8 |
| | | | | 14.5 | 11 | 7.7 | 13.3 | -0785 | 7 |
| | | | | 13.5 | 10 | 6.7 | 12.3 | -0685 | 6 |
| | | | | 12.5 | 9 | 5.7 | 11.3 | -0585 | 5 |
| | | | | 11.5 | 8 | 4.7 | 10.3 | 7 -0485 | 4 |
| 52207-***85 | 16 | 21.4 | 17.4 | 10.5 | 7 | 3.7 | 9.3 | 52207-0385 | 3 |
| MODEL NO. | キャリアテープ幅 CARRIER TAPE WIDTH | H | E | (D) | (C) | (B) | (A) | MATERIAL NO. | 極数 CKT. |

THIS DRAWING CONTAINS INFORMATION THAT IS PROPRIETARY TO MOLEX ELECTRONIC TECHNOLOGIES, LLC AND SHOULD NOT BE USED WITHOUT WRITTEN PERMISSION

| GENERAL TOLERANCES (UNLESS SPECIFIED) | |
|--|-------|
| 10 ^{UNDER} | ±0.2 |
| 10 ^{OVER} 30 ^{UNDER} | ±0.25 |
| 30 ^{OVER} | ±0.3 |
| ANGULAR | ±3° |

| | |
|--|-----|
| mm | NTS |
| GENERAL TOLERANCES (UNLESS SPECIFIED) | |
| ANGULAR TOL | ± ° |
| 4 PLACES | ± |
| 3 PLACES | ± |
| 2 PLACES | ± |
| 1 PLACE | ± |
| 0 PLACES | ± |
| DRAFT WHERE APPLICABLE MUST REMAIN WITHIN DIMENSIONS | |

CURRENT REV DESC:

molex

EMBOSSED TAPE PACKAGE FOR 52207-***19 -LEAD FREE-

PRODUCT CUSTOMER DRAWING

DOCUMENT NUMBER: SD-52207-061

DOC TYPE: PSD

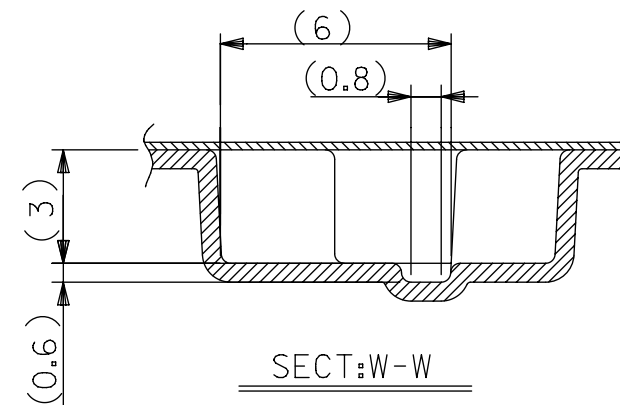
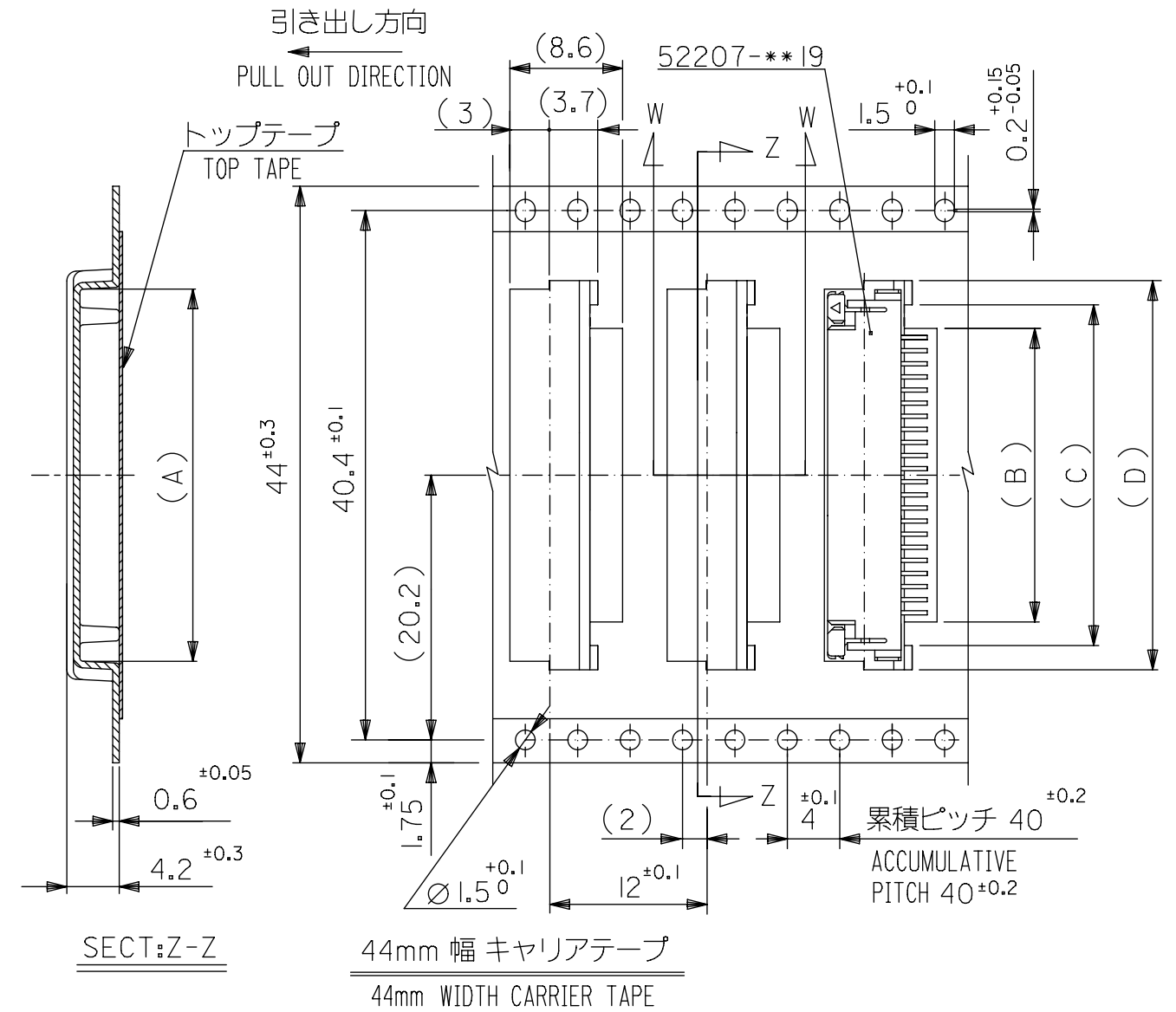
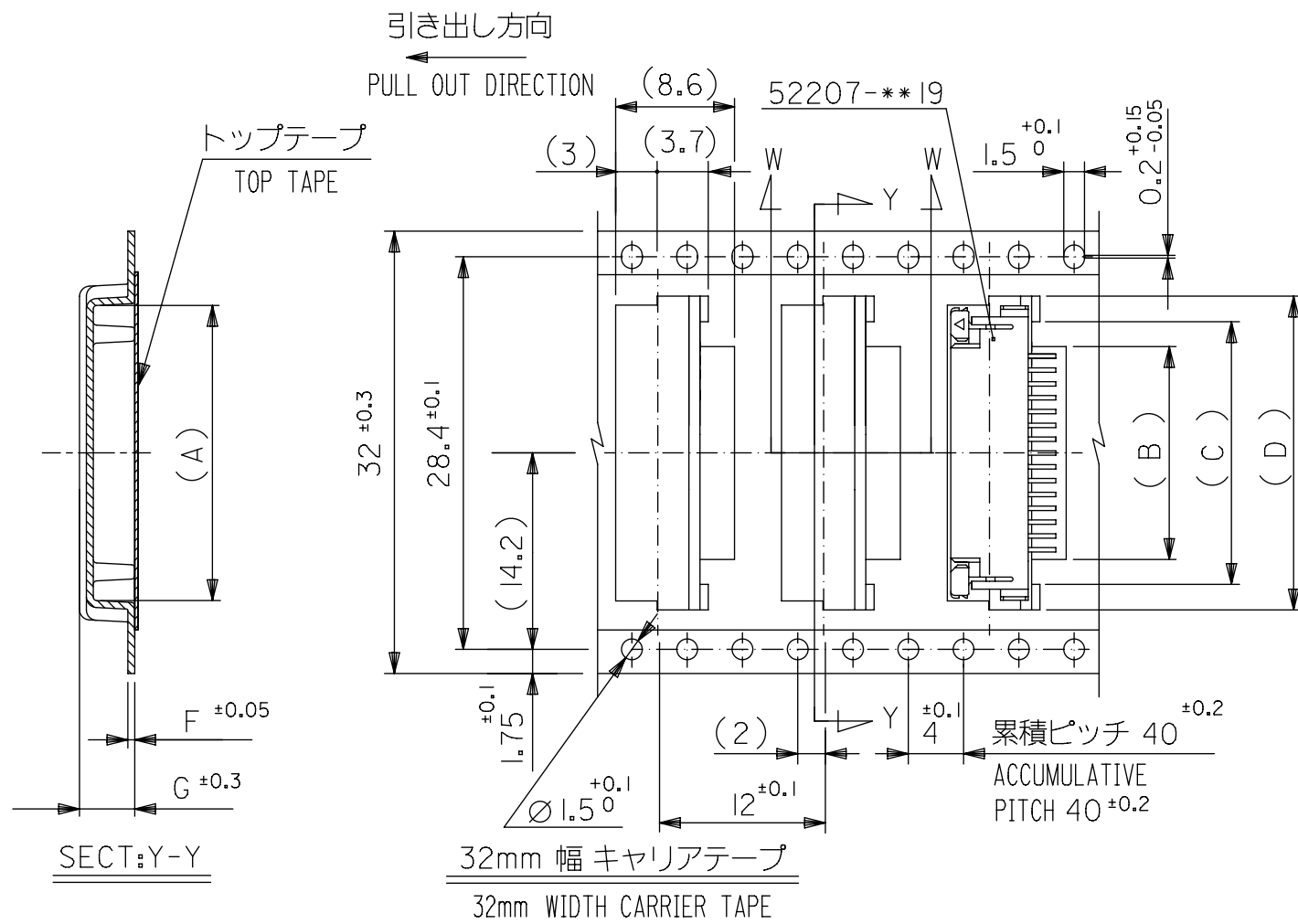
DOC PART: 001

REVISION: D

MATERIAL NUMBER: SEE TABLE

CUSTOMER: GENERAL MARKET

SHEET NUMBER: 1 OF 3

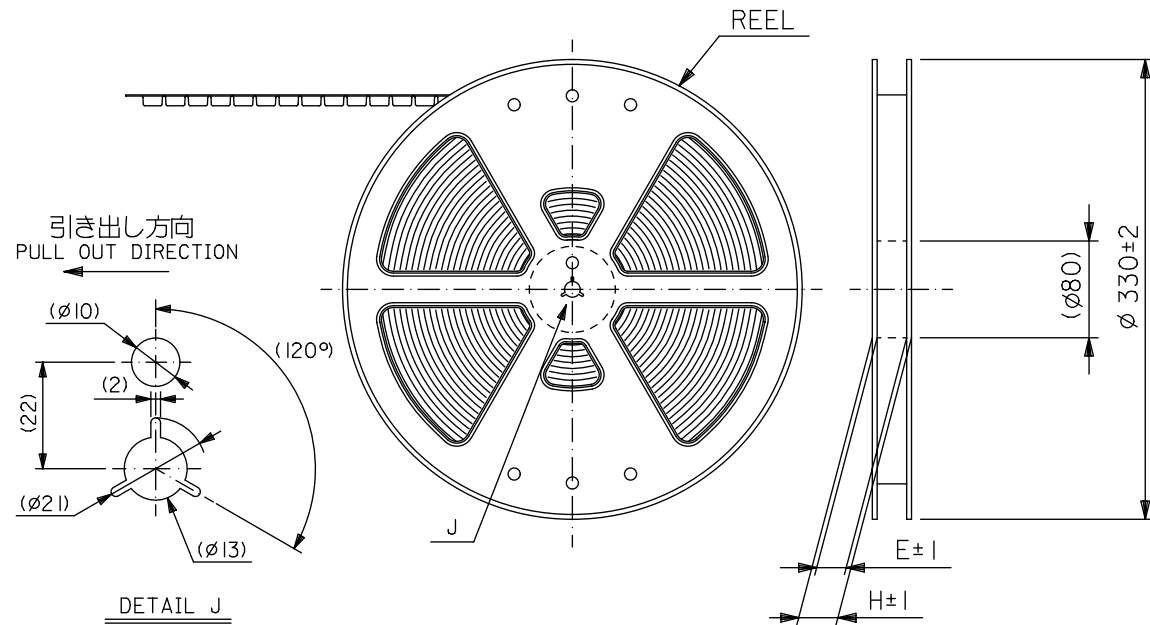


| | | | | | | | | | | |
|--------------------------------|------|------|-----|-----|------|-----|------|-------|--------------|------------|
| 32 | 37.4 | 33.4 | 4.0 | 0.5 | 23.5 | 20 | 16.7 | 22.35 | 52207-1685 | 16 |
| | | | 4.2 | 0.6 | 22.5 | 19 | 15.7 | 21.35 | 4-1585 | 15 |
| | | | 4.2 | 0.6 | 21.5 | 18 | 14.7 | 20.35 | -1485 | 14 |
| | | | 4.2 | 0.6 | 20.5 | 17 | 13.7 | 19.35 | 7-1385 | 13 |
| | | | 4.2 | 0.6 | 19.5 | 16 | 12.7 | 18.35 | 52207-1285 | 12 |
| キャリアテープ幅 CARRIER TAPE WIDTH | H | E | (G) | (F) | (D) | (C) | (B) | (A) | MATERIAL NO. | 極数 CKT. |

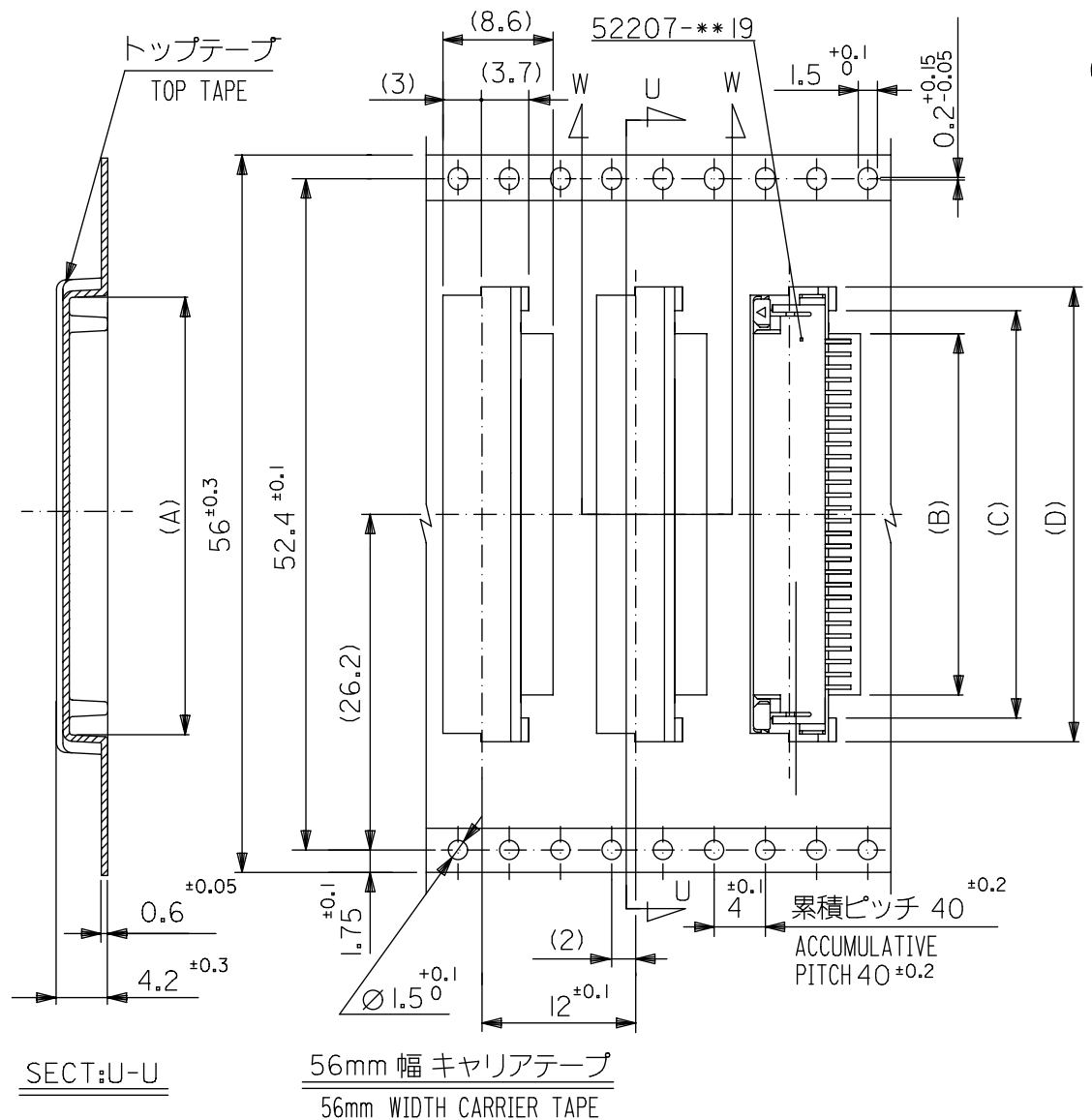
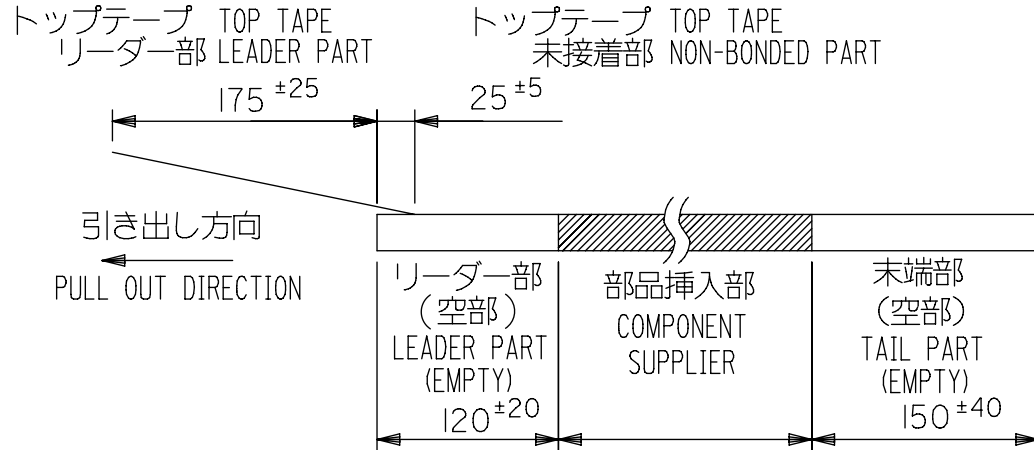
| | | | | | | | | |
|--------------------------------|------|------|-------|------------|------|-------|--------------|------------|
| 44 | 49.4 | 45.4 | 34.5 | 31 | 27.7 | 33.35 | 52207-2785 | 27 |
| | | | 33.5 | 30 | 26.7 | 32.35 | 4-2685 | 26 |
| | | | 32.5 | 29 | 25.7 | 31.35 | -2585 | 25 |
| | | | 31.5 | 28 | 24.7 | 30.35 | -2485 | 24 |
| | | | 30.5 | 27 | 23.7 | 29.35 | -2385 | 23 |
| | | | 29.5 | 26 | 22.7 | 28.35 | -2285 | 22 |
| | | | 28.5 | 25 | 21.7 | 27.35 | -2185 | 21 |
| | | | 27.5 | 24 | 20.7 | 26.35 | -2085 | 20 |
| | | | 26.5 | 23 | 19.7 | 25.35 | -1985 | 19 |
| | | | 25.5 | 22 | 18.7 | 24.35 | 7-1885 | 18 |
| 24.5 | 21 | 17.7 | 23.35 | 52207-1785 | 17 | | | |
| キャリアテープ幅 CARRIER TAPE WIDTH | H | E | (D) | (C) | (B) | (A) | MATERIAL NO. | 極数 CKT. |

| | | | | |
|-----------------|----|--------------|------------|----------|
| DOCUMENT STATUS | P1 | RELEASE DATE | 2022/09/05 | 05:51:49 |
|-----------------|----|--------------|------------|----------|

| | | | | | |
|---|-------|---------------------------------------|-----------------|---|-----------------|
| THIS DRAWING CONTAINS INFORMATION THAT IS PROPRIETARY TO MOLEX ELECTRONIC TECHNOLOGIES, LLC AND SHOULD NOT BE USED WITHOUT WRITTEN PERMISSION | | CURRENT REV DESC: | | | |
| DIMENSION UNITS | SCALE | | | | |
| mm | NTS | | | EMBOSSSED TAPE PACKAGE FOR 52207-**19 -LEAD FREE- | |
| GENERAL TOLERANCES (UNLESS SPECIFIED) | | GENERAL TOLERANCES (UNLESS SPECIFIED) | | PRODUCT CUSTOMER DRAWING | |
| 10 ^{UNDER} | ±0.2 | 4 PLACES | ± | DOCUMENT NUMBER | |
| 10 ^{OVER} | ±0.25 | 3 PLACES | ± | DOC TYPE | |
| 30 ^{OVER} | ±0.3 | 2 PLACES | ± | DOC PART | |
| ANGULAR | ±3° | 1 PLACE | ± | REVISION | |
| DRAFT WHERE APPLICABLE MUST REMAIN WITHIN DIMENSIONS | | THIRD ANGLE PROJECTION | DRAWING | SERIES | MATERIAL NUMBER |
| | | | A3-SIZE | 52207 | SEE TABLE |
| | | EC NO: 719890 | DRWN: NARENC | 2022/08/22 | GENERAL MARKET |
| | | CHK'D: SMARUYAMA | APPR: YNAITO | 2022/09/05 | |
| | | INITIAL REVISION: | DRWN: MNINOMIYA | 2004/02/18 | |
| | | APPR: MSASAO | 2004/02/18 | | |
| | | CUSTOMER | | SHEET NUMBER | |
| | | GENERAL MARKET | | 2 OF 3 | |

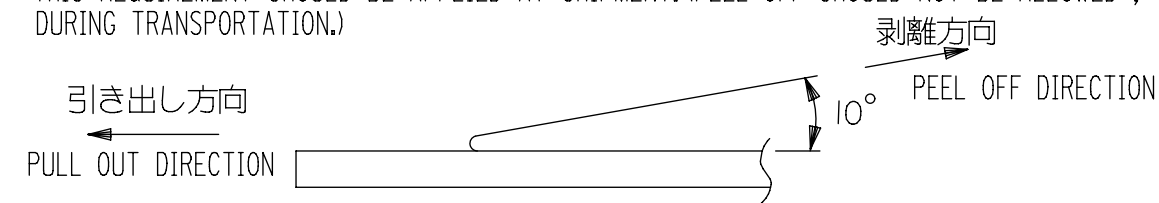


- 注記
- 製品番号 52207-**-19 の梱包状態はアクチュエータがロックした状態とする。
IN THE PACKAGE, ACTUATOR OF PART NO. 52207-**-19 SHOULD BE LOCKED
RE DETAILED DIMENSIONS, SEE SD-52207-060
 - 梱包数量：1000個/リール
NUMBER OF CONNECTORS：1000PCS/REEL
 - リードテープ長さ(LEAD TAPE LENGTH)



- 本製品は 52207-**-90 の鉛フリー品である。
THIS PRODUCT IS LEAD FREE OF 52207-**-90.
- 本製品は乾燥剤入り、ハイバリア梱包仕様である。
THIS PRODUCT IS HIGH BARRIER PACKAGE WITH DESICCANT.

- トップテープの剥離強度：(剥離方向は下図参照)
0.1N ~ 1.3N(10gf ~ 130gf) MAX. 尚、本規格値は、出荷時に適用。
(但し、輸送時に剥離が発生しない事。)
PEELING OFF FORCE OF TOP TAPE : 0.1N ~ 1.3N(10gf ~ 130gf) MAX.
(PEELING DIRECTION AS SHOWN IN FOLLOWING FIG.)
THIS REQUIREMENT SHOULD BE APPLIED AT SHIPMENT. (PEEL OFF SHOULD NOT BE ALLOWED, DURING TRANSPORTATION.)



- 材料 (MATERIAL)
キャリアテープ (CARRIER TAPE) : ポリプロピレン (POLYPROPYLENE)
トップテープ (TOPTAPE) : PET, PE, PEF
リール (REEL) : ポリスチレン (PS) <リサイクル材を含む>
POLYSTYRENE (PS) <RECYCLE MATERIAL CONTAINED>

| | | | | | | | | | |
|-------------|--------------------------------|------|------|------|-----|------|-------|--------------|------------|
| 52207-**-85 | 56 | 61.4 | 57.4 | 41.5 | 38 | 34.7 | 40.35 | 52207-3485 | 34 |
| | | | | 37.5 | 34 | 30.7 | 36.35 | 52207-3085 | 30 |
| | | | | 36.5 | 33 | 29.7 | 35.35 | 52207-2985 | 29 |
| | | | | 35.5 | 32 | 28.7 | 34.35 | 52207-2885 | 28 |
| MODEL NO. | キャリアテープ幅 CARRIER TAPE WIDTH | H | E | (D) | (C) | (B) | (A) | MATERIAL NO. | 極数 CKT. |

THIS DRAWING CONTAINS INFORMATION THAT IS PROPRIETARY TO MOLEX ELECTRONIC TECHNOLOGIES, LLC AND SHOULD NOT BE USED WITHOUT WRITTEN PERMISSION

| | | | |
|--|--|--|---|
| GENERAL TOLERANCES (UNLESS SPECIFIED) 10 ^{UNDER} ±0.2 10 ^{OVER} 30 ^{UNDER} ±0.25 30 ^{OVER} ±0.3 ANGULAR ±3° | DIMENSION UNITS: mm SCALE: NTS GENERAL TOLERANCES (UNLESS SPECIFIED) ANGULAR TOL ± ° 4 PLACES ± ° 3 PLACES ± ° 2 PLACES ± ° 1 PLACE ± ° 0 PLACES ± ° DRAFT WHERE APPLICABLE MUST REMAIN WITHIN DIMENSIONS | CURRENT REV DESC: EC NO: 719890 DRWN: NARENC 2022/08/22 CHK'D: SMARUYAMA 2022/09/05 APPR: YNAITO 2022/09/05 INITIAL REVISION: DRWN: MNINOMIYA 2004/02/18 APPR: MSASAO 2004/02/18 THIRD ANGLE PROJECTION DRAWING: A3-SIZE SERIES: 52207 | molex EMBOSSED TAPE PACKAGE FOR 52207-**-19 -LEAD FREE- PRODUCT CUSTOMER DRAWING DOCUMENT NUMBER: SD-52207-061 DOC TYPE: PSD DOC PART: 001 REVISION: D MATERIAL NUMBER: SEE TABLE CUSTOMER: GENERAL MARKET SHEET NUMBER: 3 OF 3 |
|--|--|--|---|