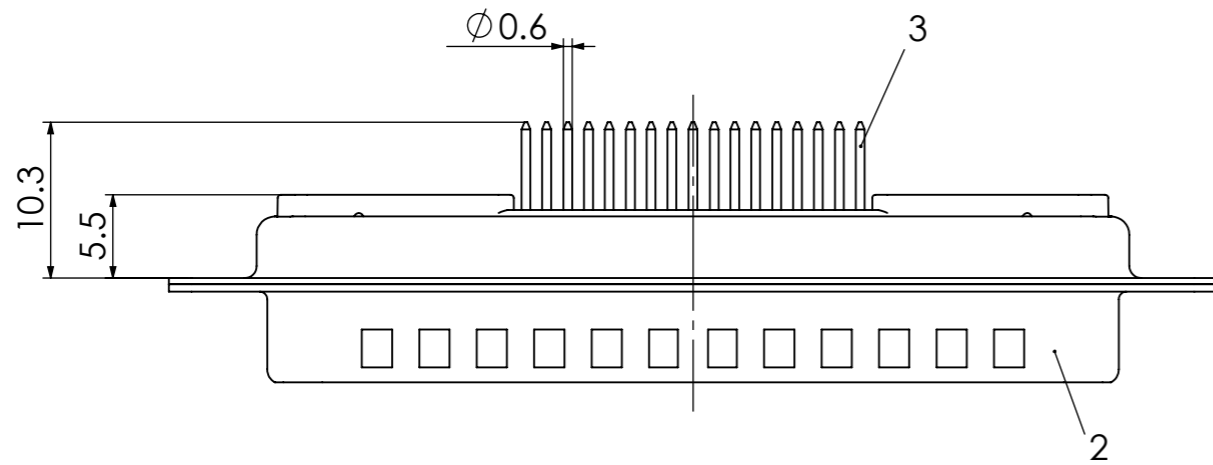
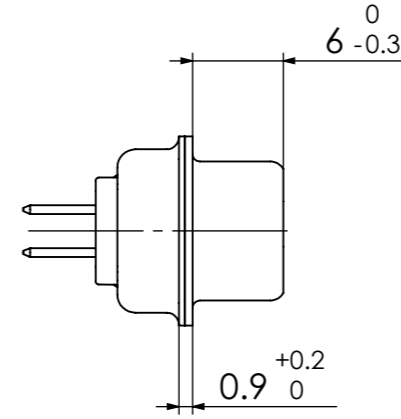
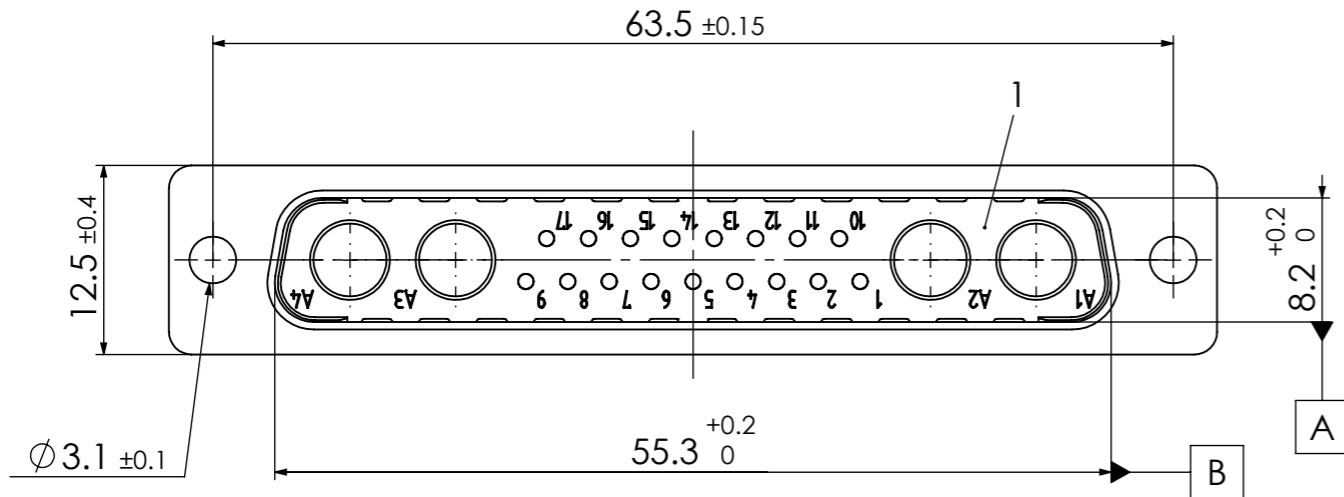
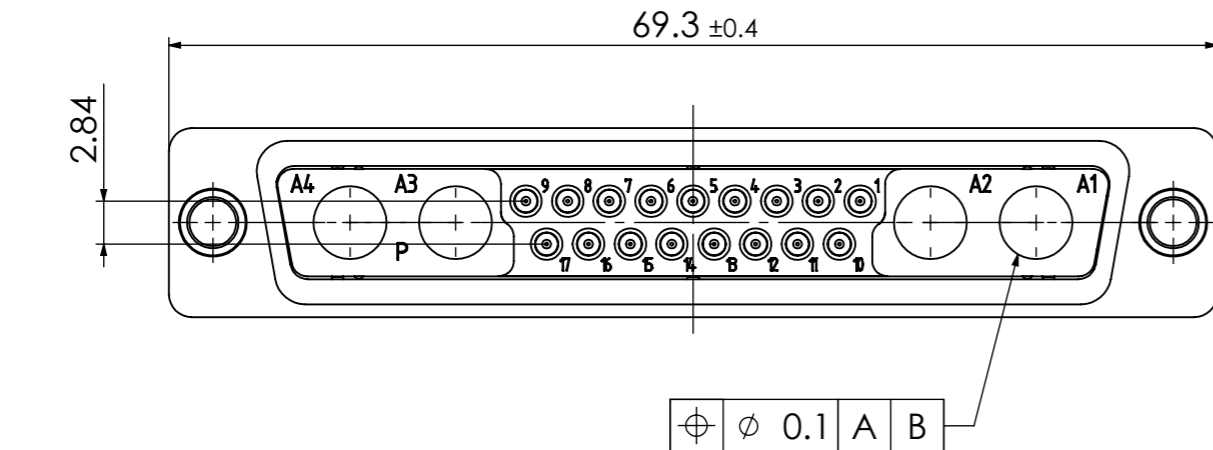
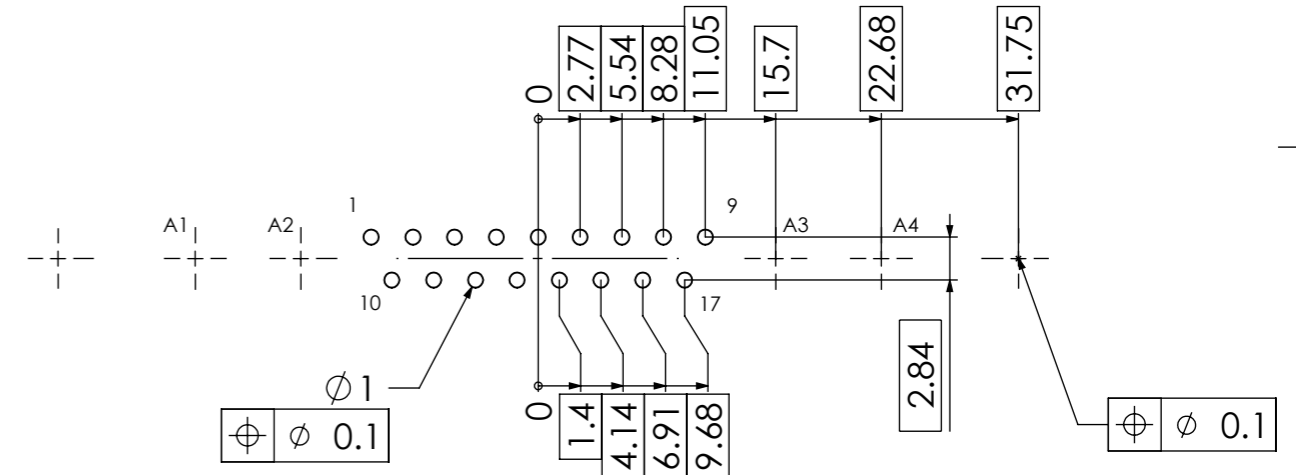


RoHS compliant  
by exemption



PCB hole pattern, mounting side



3	17	Signal contact	P1 / Brass	0.8µm Au
2	1	Shell	Steel	tin plated
1	1	Insulator	PBT (-55°C to +130°C) acc. UL94V-0	green
No.	St.	Part	Type Description/Material	Surface plating/Colour/Class

FUNCTIONAL SYMBOLS ▽ = 0 ▽ = 0 ▽ = 0					THIS DRAWING CONTAINS INFORMATION THAT IS PROPRIETARY TO MOLEX ELECTRONIC TECHNOLOGIES, LLC AND SHOULD NOT BE USED WITHOUT WRITTEN PERMISSION				
DIMENSION UNITS		SCALE		MEASUREMENTS WITHOUT TOLERANCE ACC. TO					
mm		2:1		ISO 2768-m					
CURRENT REVISION					PRODUCT CUSTOMER DRAWING				
DRWN: DRAWN BY			FVetter		31-01-2019		FCT D-Sub Mixed-Layout Connector MATERIAL NUMBER <b>1731070083</b>		
APPR: APPR BY			MTeubel		04-02-2019				
INITIAL REVISION					REVISION				
DRWN: DRAWN BY			ADenzinger		20-02-2007		DOCUMENT NUMBER <b>FM21WA4P1-K120</b>		
APPR: APPR BY			sschref		20-02-2007				
REPLACEMENT FOR:		FIRST ANGLE PROJECTION		DRAWING		CUSTOMER		SHEET NUMBER	
				A3-SIZE		GENERAL MARKET		1 OF 1	

COMMENT: ALL RIGHTS ARE RESERVED BY US FOR THIS DRAWING. WITHOUT OUR PRIOR CONSENT, IT MAY NEITHER BE DUPLICATED NOR MADE AVAILABLE TO A THIRD PARTY. AND IT ALSO MAY NOT BE IMPROPERLY USED BY THE RECEIVER, OR A THIRD PARTY.