

30.5	29.3	25.65	24.5	54104-5096	54104 - 5039	50
28.5	27.3	23.65	22.5	54104-4696	54104 - 4639	46
28.0	26.8	23.15	22.0	54104-4596	54104 - 4539	45
25.5	24.3	20.65	19.5	54104-4096	54104 - 4039	40
24.5	23.3	19.65	18.5	54104-3896	54104 - 3839	38
23.5	22.3	18.65	17.5	54104-3696	54104 - 3639	36
23.0	21.8	18.15	17.0	54104-3596	54104 - 3539	35
22.5	21.3	17.65	16.5	54104-3496	54104 - 3439	34
22.0	20.8	17.15	16.0	54104-3396	54104 - 3339	33
21.5	20.3	16.65	15.5	54104-3296	54104 - 3239	32
20.5	19.3	15.65	14.5	54104-3096	54104 - 3039	30
D	C	B	A	EMBOSSED TAPE	MATERIAL NO.	CIRCUIT
				ORDER No. オーダー番号		

金具  
FITTING NAIL

**GENERAL TOLERANCES (UNLESS SPECIFIED)**

10 <sup>UNDER</sup>	±0.2
10 <sup>OVER</sup> 30 <sup>UNDER</sup>	±0.25
30 <sup>OVER</sup>	±0.3
ANGULAR	±3°

THIS DRAWING CONTAINS INFORMATION THAT IS PROPRIETARY TO MOLEX ELECTRONIC TECHNOLOGIES, LLC AND SHOULD NOT BE USED WITHOUT WRITTEN PERMISSION

DIMENSION UNITS: mm SCALE: NTS

GENERAL TOLERANCES (UNLESS SPECIFIED): ANGULAR TOL ± °

4 PLACES ± °  
3 PLACES ± °  
2 PLACES ± °  
1 PLACE ± °  
0 PLACES ± °

DRAFT WHERE APPLICABLE MUST REMAIN WITHIN DIMENSIONS

THIRD ANGLE PROJECTION

DRAWING: A3-SIZE

SERIES: 54104

EC NO: 719890  
DRWN: NARENC  
CHK'D: SMARUYAMA  
APPR: YNAITO

INITIAL REVISION:  
DRWN: YSAKIYAMA  
APPR: MSASAO

2022/08/22  
2022/09/05  
2022/09/05

2004/01/27  
2004/01/29

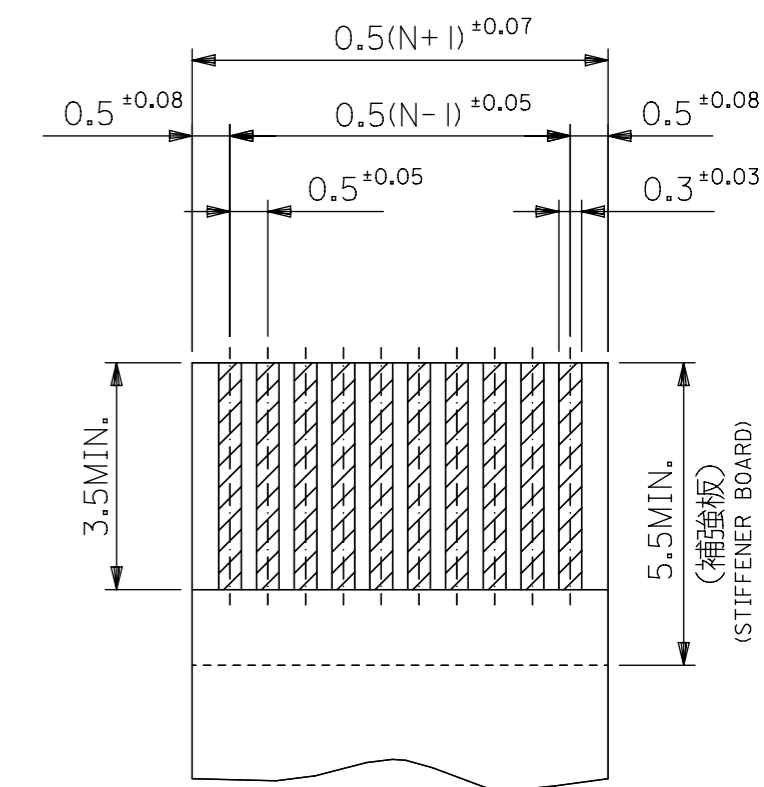
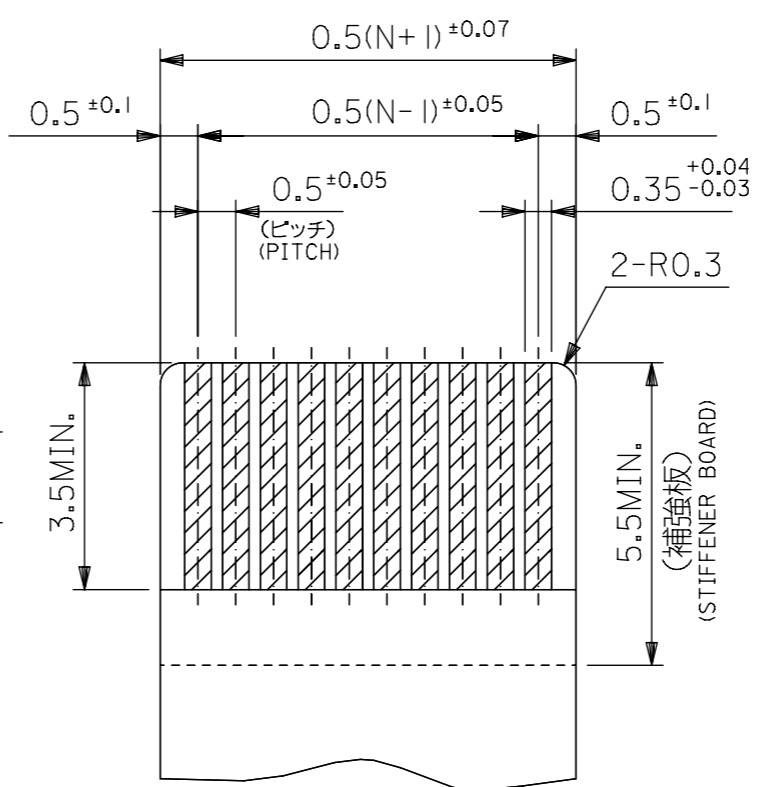
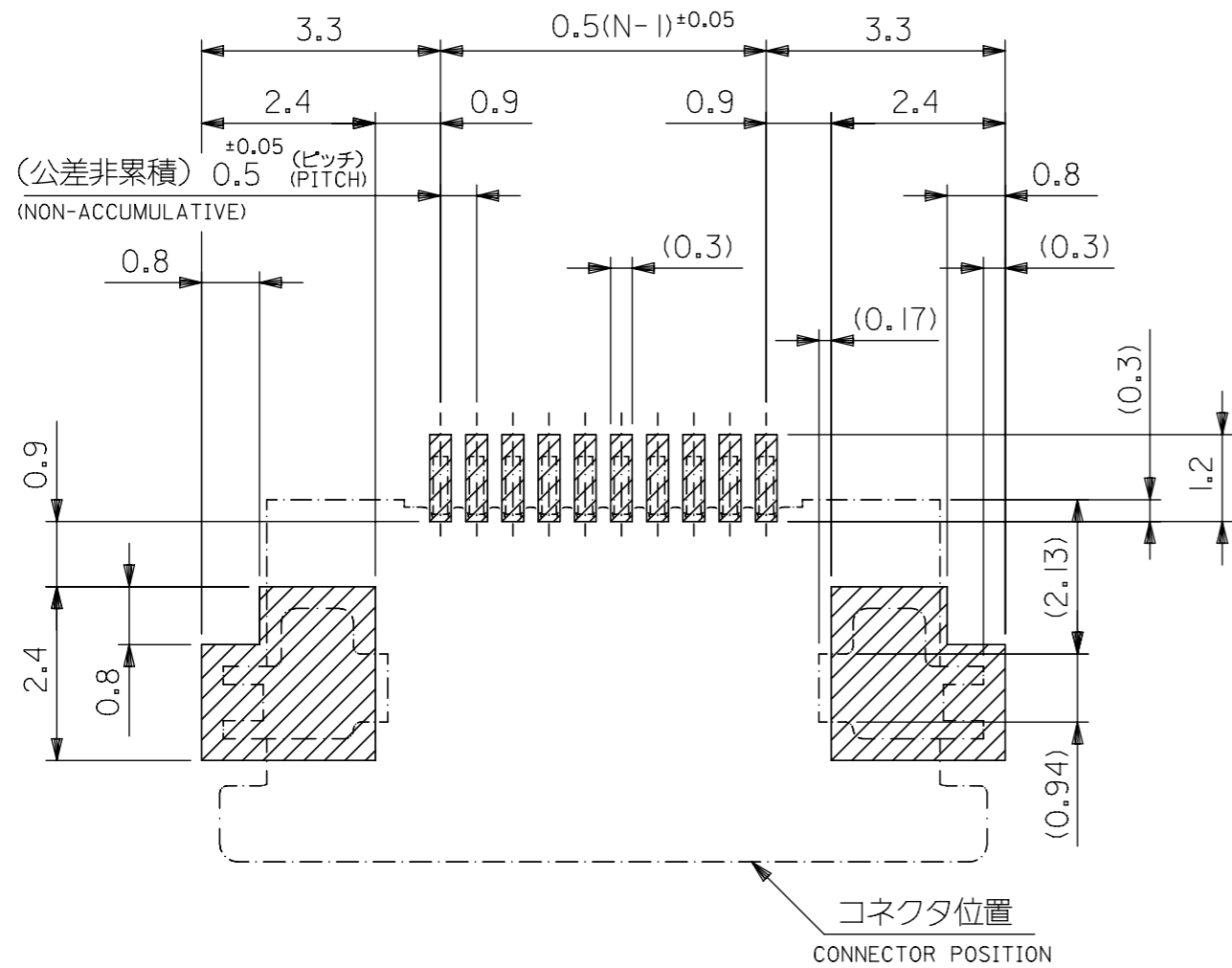
**molex**

0.5 FPC CONN ZIF HSG  
ASSY FOR SMT RA UPR CONT -LEAD FREE-

PRODUCT CUSTOMER DRAWING

DOCUMENT NUMBER: SD-54104-071  
DOC TYPE: PSD  
DOC PART: 001  
REVISION: B

MATERIAL NUMBER: SEE TABLE  
CUSTOMER: GENERAL MARKET  
SHEET NUMBER: 1 OF 2



適合FPC推奨寸法  
 APPLICABLE FPC  
 RECOMMENDED DIMENSION  
 (仕上がり厚さ: 0.3±0.03)  
 (THICKNESS: 0.3±0.03)

適合FFC推奨寸法  
 APPLICABLE FFC  
 RECOMMENDED DIMENSION  
 (仕上がり厚さ: 0.3±0.03)  
 (THICKNESS: 0.3±0.03)

参考基板レイアウト  
 RECOMMENDED P.C. BOARD  
 PATTERN DIMENSION (REF.)  
 (マウント面)  
 (MOUNTING SIDE)

コネクタ位置  
 CONNECTOR POSITION

注記 NOTES

- I. 使用材料 MATERIAL
- ハウジング HOUSING : 46ナイロン, UL94V-0 46NYLON
  - アクチュエータ ACTUATOR : PPS, UL94V-0
  - ターミナル TERMINAL : リン青銅, ニッケル下地 錫ビスマスメッキ (t=0.2) PHOS-BRONZE, TIN-BISMUTH OVER NICKEL PLATING.(t=0.2)
  - 金具 FITTING NAIL : リン青銅, ニッケル下地 錫メッキ (t=0.2) PHOS-BRONZE, TIN OVER NICKEL PLATING.(t=0.2)

2. エンボステープ梱包時は、アクチュエータがロックした状態とする。  
 IN THE PACKAGE, ACTUATOR OF PART NO.54104-\*\*\*39 SHOULD BE LOCKED.
- ⚠️ ソルダータール半田付け面のズレ量、及び金具半田付け面のズレ量は、基準面 H に対し上方向 0.1 MAX. 下方向 0.15 MAX. とし、相互のバラツキ量は、0.1 MAX. とする。  
 MISALIGNMENT OF SOLDER TAILS AND FITTING NAILS FROM UPPER DIRECTION: 0.1 MAX. , LOWER DIRECTION: 0.15 MAX. OFFSET BETWEEN UPPER AND LOWER 0.1 MAX. H
- ⚠️ 偶数極に適用。  
 APPLY FOR EVEN CIRCUIT.
- ⚠️ パターンはくり止め用金具  
 FITTING NAIL FOR PREVENTION OF PEELING OF P.C.B. PATTERN.
6. 本製品は 54104-\*\*\*37 の鉛フリー品である。  
 THIS PRODUCT IS LEAD FREE OF 54104-\*\*\*37.

FPC/FFCについて

打抜き方向は導体側から補強板側を推奨いたします。  
 導体部については軟銅箔35マイクロメートルまたは50マイクロメートルメッキ厚 3~9マイクロメートル錫または半田メッキ(電気メッキ)  
 RECOMMENDED PUNCHER DIRECTION:  
 FROM CONDUCTOR SIDE TO STIFFENER BOARD SIDE.  
 RECOMMENDED CONDUCTOR SPEC.:  
 THICKNESS OF SOFT COPPER FOIL:  
 35 micrometer or 50 micrometer  
 TIN OR SOLDER PLATING:  
 3~9 micrometer(ELECTRICAL PLATING)

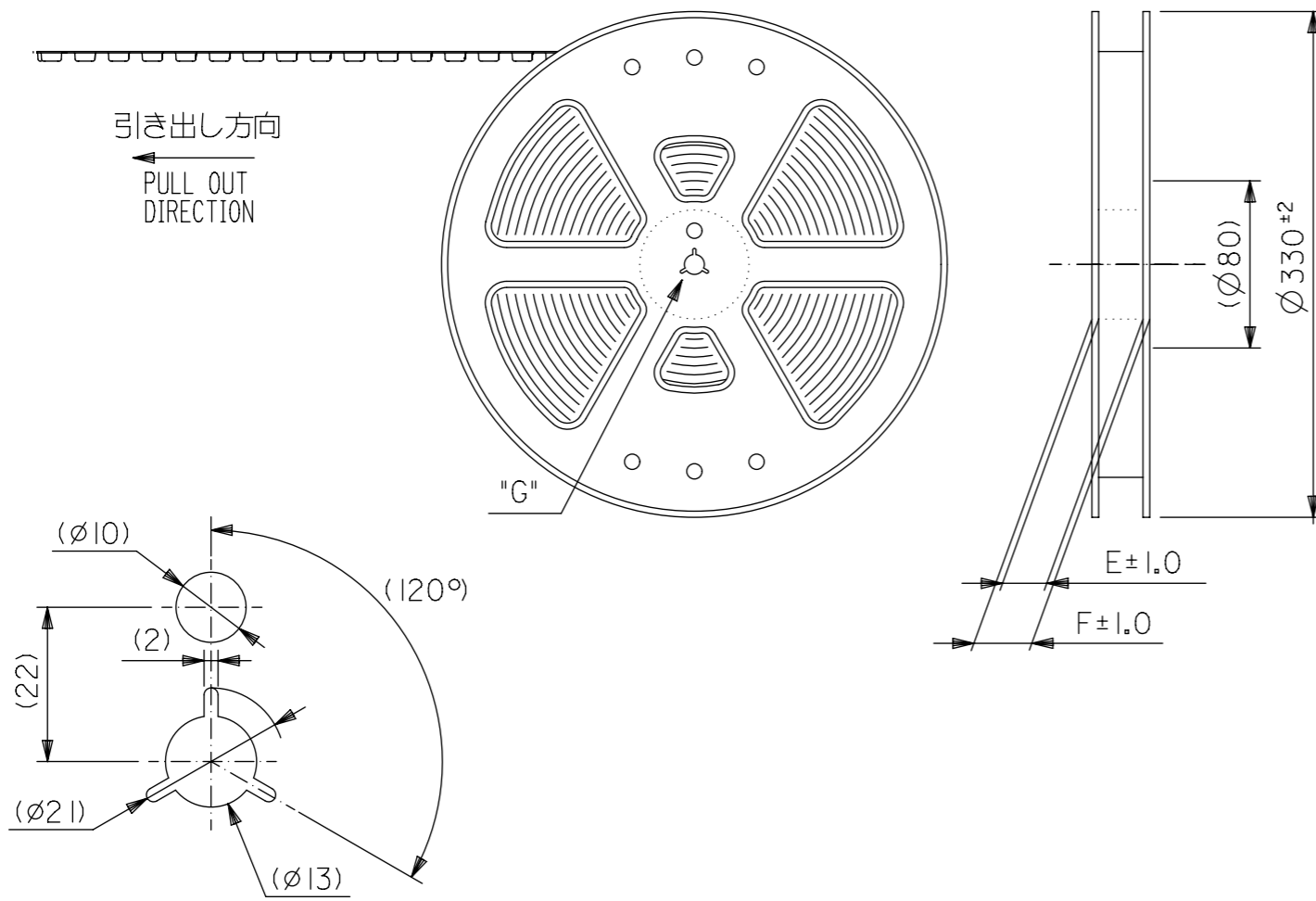
FPCについて

補強フィルム材質はポリイミドを推奨致します。  
 接着剤は熱硬化接着剤を推奨致します。  
 RECOMMENDED MATERIAL:  
 STIFFENER FILM : POLYIMIDE  
 BONDING AGENT : THERMOSETTING BONDING AGENT

54104-\*\*\*39 MODEL NO.

THIS DRAWING CONTAINS INFORMATION THAT IS PROPRIETARY TO MOLEX ELECTRONIC TECHNOLOGIES, LLC AND SHOULD NOT BE USED WITHOUT WRITTEN PERMISSION		CURRENT REV DESC:		<b>molex</b>	
DIMENSION UNITS	SCALE				
mm	NTS			0.5 FPC CONN ZIF HSG ASSY FOR SMT RA UPR CONT -LEAD FREE-	
GENERAL TOLERANCES (UNLESS SPECIFIED)		EC NO: 719890		PRODUCT CUSTOMER DRAWING	
ANGULAR TOL ± °		DRWN: NARENC 2022/08/22		DOCUMENT NUMBER	
4 PLACES ±		CHK'D: SMARUYAMA 2022/09/05		SD-54104-071	
3 PLACES ±		APPR: YNAITO 2022/09/05		DOC TYPE	
2 PLACES ±		INITIAL REVISION:		DOC PART	
1 PLACE ±		DRWN: YSAKIYAMA 2004/01/27		001	
0 PLACES ±		APPR: MSASAO 2004/01/29		REVISION	
DRAFT WHERE APPLICABLE MUST REMAIN WITHIN DIMENSIONS		THIRD ANGLE PROJECTION	DRAWING	SERIES	SHEET NUMBER
		⊕	A3-SIZE	54104	2 OF 2

GENERAL TOLERANCES (UNLESS SPECIFIED)	
10 <sup>UNDER</sup>	±0.2
10 <sup>OVER</sup> 30 <sup>UNDER</sup>	±0.25
30 <sup>OVER</sup>	±0.3
ANGULAR	±3°



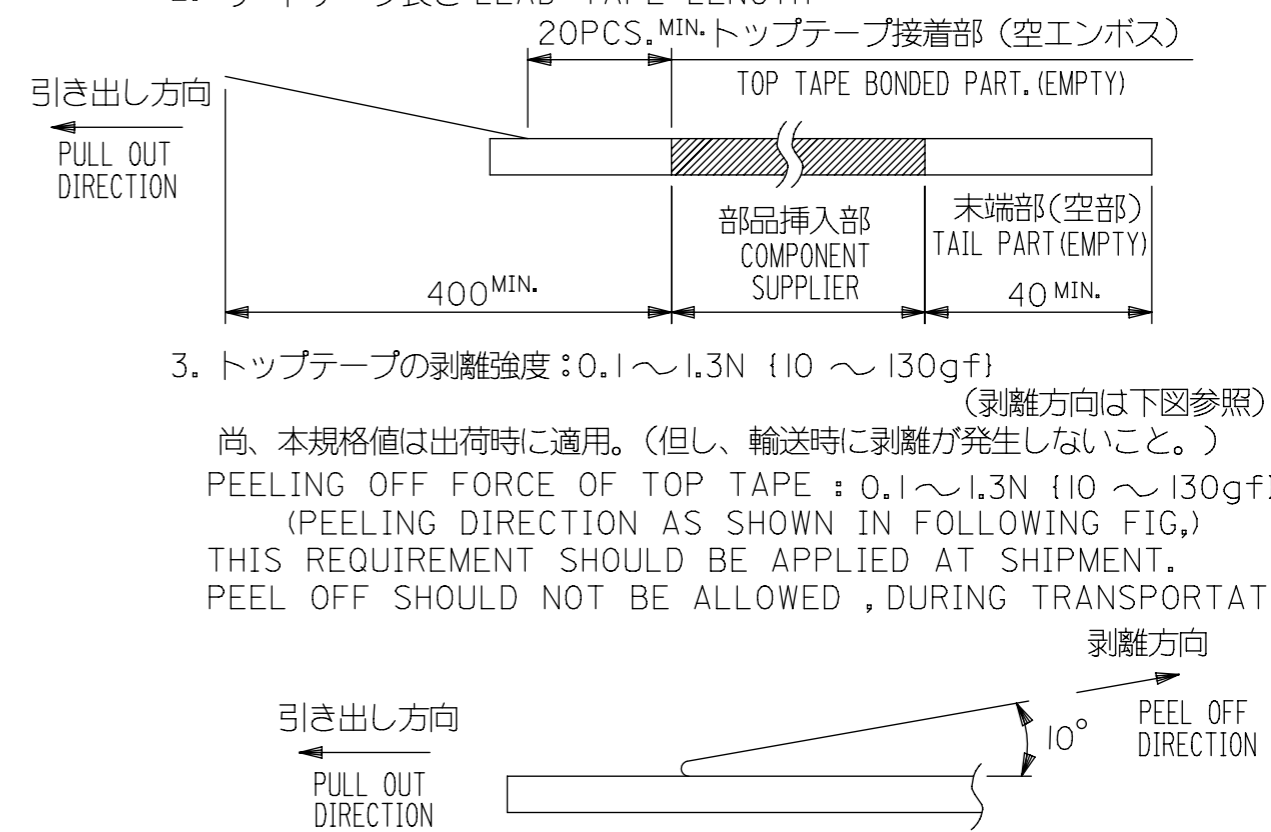
DETAIL "G"

4. 材料 (MATERIAL)  
 キャリアテープ (CARRIER TAPE) : ポリプロピレン (POLYPROPYLENE)  
 トップテープ (TOPTAPE) : PET, PE, PEF  
 リール (REEL) : ポリスチレン (PS) <リサイクル材を含む>  
 POLYSTYRENE (PS) <RECYCLE MATERIAL CONTAINED>

5. 本製品は 54104-\*\*\*92 の鉛フリー品である。  
 THIS PRODUCT IS LEAD FREE OF 54104-\*\*\*92.

NOTES

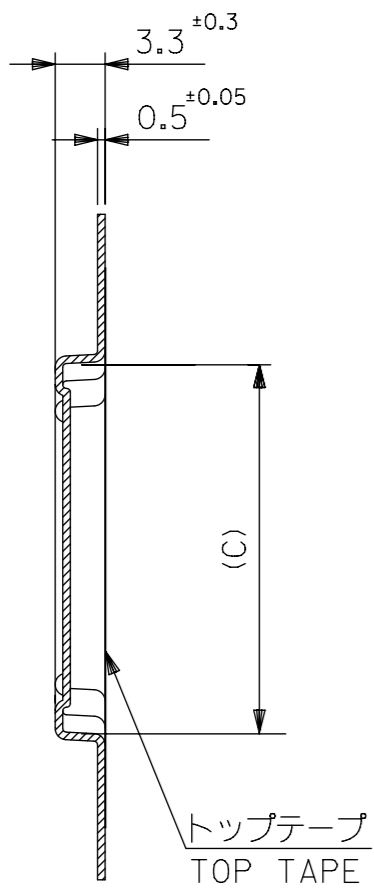
- 梱包数量 : 1500個/リール  
 NUMBER OF CONNECTORS : 1500PCS/REEL
- リードテープ長さ LEAD TAPE LENGTH  
 20PCS. MIN. トップテープ接着部 (空エンボス)  
 TOP TAPE BONDED PART. (EMPTY)  
 400 MIN. 部品挿入部 COMPONENT SUPPLIER  
 40 MIN. 末端部 (空部) TAIL PART (EMPTY)
- トップテープの剥離強度 : 0.1 ~ 1.3N {10 ~ 130gf}  
 (剥離方向は下図参照)  
 尚、本規格値は出荷時に適用。(但し、輸送時に剥離が発生しないこと。)  
 PEELING OFF FORCE OF TOP TAPE : 0.1 ~ 1.3N {10 ~ 130gf}  
 (PEELING DIRECTION AS SHOWN IN FOLLOWING FIG.)  
 THIS REQUIREMENT SHOULD BE APPLIED AT SHIPMENT.  
 PEEL OFF SHOULD NOT BE ALLOWED, DURING TRANSPORTATION.



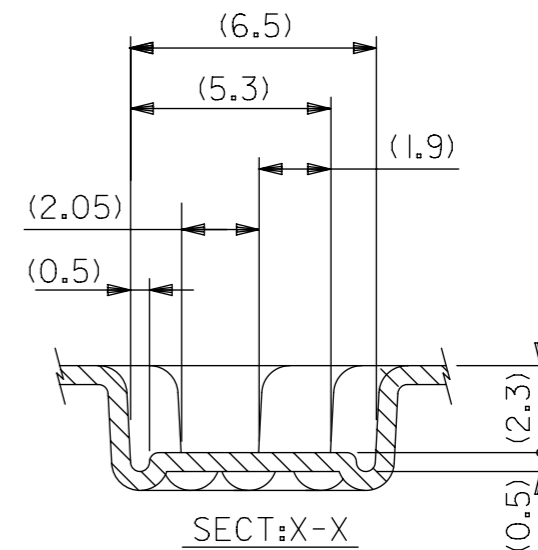
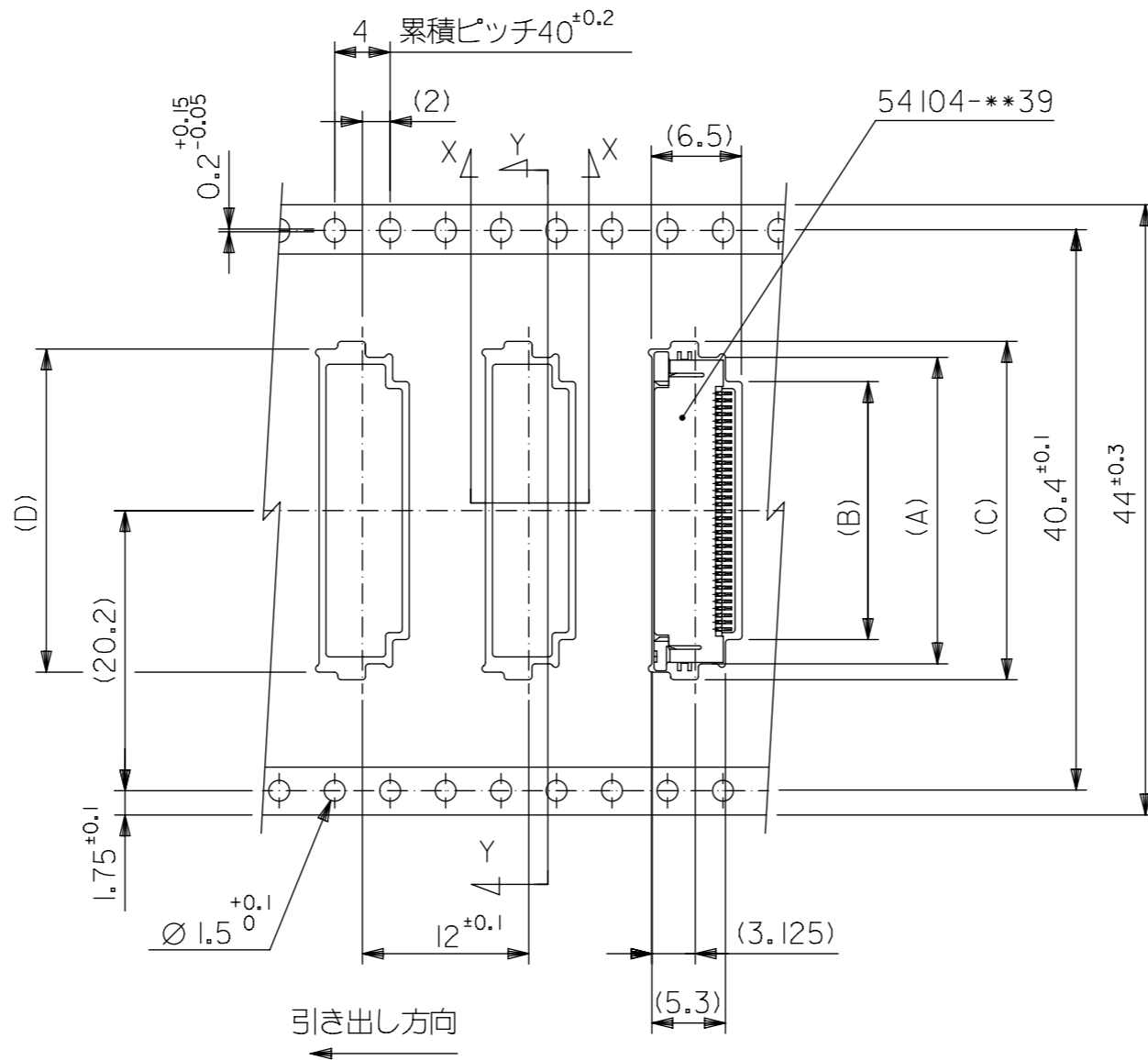
44	49.4	45.4	30.8	31.9	26.1	29.6	54104-5096	50
			28.8	29.9	24.1	27.6	-4696	46
			28.3	29.4	23.6	27.1	-4596	45
			25.8	26.9	21.1	24.6	-4096	40
			24.8	25.9	20.1	23.6	-3896	38
			23.8	24.9	19.1	22.6	-3696	36
			23.3	24.4	18.6	22.1	-3596	35
			22.8	23.9	18.1	21.6	-3496	34
			22.3	23.4	17.6	21.1	-3396	33
			21.8	22.9	17.1	20.6	-3296	32
20.8	21.9	16.1	19.6	54104-3096	30			
キャリアテープ幅 CARRIER TAPE WIDTH	F	E	D	C	B	A	MATERIAL NO.	CIRCUIT

MODEL NO. 54104-\*\*\*96

THIS DRAWING CONTAINS INFORMATION THAT IS PROPRIETARY TO MOLEX ELECTRONIC TECHNOLOGIES, LLC AND SHOULD NOT BE USED WITHOUT WRITTEN PERMISSION		CURRENT REV DESC:		<b>molex</b>	
DIMENSION UNITS	SCALE	EC NO: 719890			
mm	NTS	DRWN: NARENC 2022/08/22		PRODUCT CUSTOMER DRAWING	
GENERAL TOLERANCES (UNLESS SPECIFIED)		CHK'D: SMARUYAMA 2022/09/05		DOCUMENT NUMBER	
ANGULAR TOL ± °		APPR: YNAITO 2022/09/05		SD-54104-072	
4 PLACES ±		INITIAL REVISION:		DOC TYPE	
3 PLACES ±		DRWN: YSAKIYAMA 2004/01/27		001	
2 PLACES ±		APPR: MSASAO 2004/01/29		DOC PART	
1 PLACE ±		DRAFT WHERE APPLICABLE MUST REMAIN WITHIN DIMENSIONS		001	
0 PLACES ±		THIRD ANGLE PROJECTION		REVISION	
10 <sup>UNDER</sup> ±0.2		DRAWING		B	
10 <sup>OVER</sup> 30 <sup>UNDER</sup> ±0.25		SERIES		SHEET NUMBER	
30 <sup>OVER</sup> ±0.3		A3-SIZE		1 OF 2	
ANGULAR ±3°		MATERIAL NUMBER		CUSTOMER	
		SEE TABLE		GENERAL MARKET	



SECT:Y-Y



SECT:X-X  
(SCALE:5-1)

THIS DRAWING CONTAINS INFORMATION THAT IS PROPRIETARY TO MOLEX ELECTRONIC TECHNOLOGIES, LLC AND SHOULD NOT BE USED WITHOUT WRITTEN PERMISSION		CURRENT REV DESC:		<b>molex</b>		
DIMENSION UNITS	SCALE					
mm	NTS			EMBSTP PKG FOR 0.5 FPC CONN. ZIF HSG ASSY -LEAD FREE-		
GENERAL TOLERANCES (UNLESS SPECIFIED)		EC NO: 719890		2022/08/22		
ANGULAR TOL ± °		DRWN: NARENC		2022/09/05		
4 PLACES ±		CHK'D: SMARUYAMA		2022/09/05		
3 PLACES ±		APPR: YNAITO		2022/09/05		
2 PLACES ±		INITIAL REVISION:		DOCUMENT NUMBER		
1 PLACE ±		DRWN: YSAKIYAMA		SD-54104-072		
0 PLACES ±		APPR: MSASAO		PSD 001 B		
DRAFT WHERE APPLICABLE MUST REMAIN WITHIN DIMENSIONS		THIRD ANGLE PROJECTION	DRAWING	SERIES	MATERIAL NUMBER	CUSTOMER
			A3-SIZE	54104	SEE SHEET 1	GENERAL MARKET
GENERAL TOLERANCES (UNLESS SPECIFIED)				SHEET NUMBER		
10 <sup>UNDER</sup>	±0.2			2 OF 2		
10 <sup>OVER</sup> 30 <sup>UNDER</sup>	±0.25					
30 <sup>OVER</sup>	±0.3					
ANGULAR	±3 °					