

HD Output 1080p & 720p Direct-Connect to Monitor

**HD**

HD-Output DVI Cameras

STC-HD93DV 【720p】

STC-HD203DV 【1080p】

STC-HD93DV-B 【720p】

STC-HD203DV-B 【1080p】

HD Digital DVI and SDI Output cased and board level cameras are ideal for applications requiring direct-connect monitor viewing with High Definition resolution. These CCD (720p) and CMOS (1080p) based cameras outputs a true HD 1080p or 720p, 16x9 image at 60fps. It also features the capability to program 28 individual DSP profiles and has a programmable on-camera push-button for manual control.

**HD**

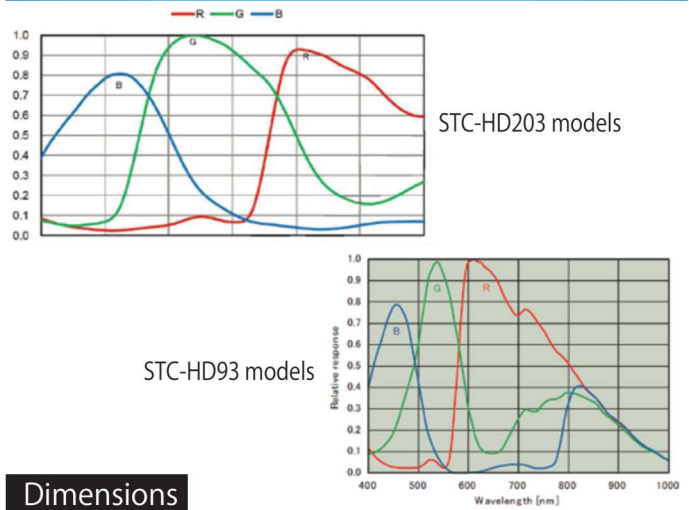
Cased and Board

- 1080p
- 1/2.8" CMOS Sensor
- 1936 (H) x 1096 (V)
- Rolling Shutter
- 60fps
- C Mount
- 720p
- 1/3" CCD Sensor
- 1280 (H) x 720 (V)
- Global Shutter
- 60fps
- C Mount

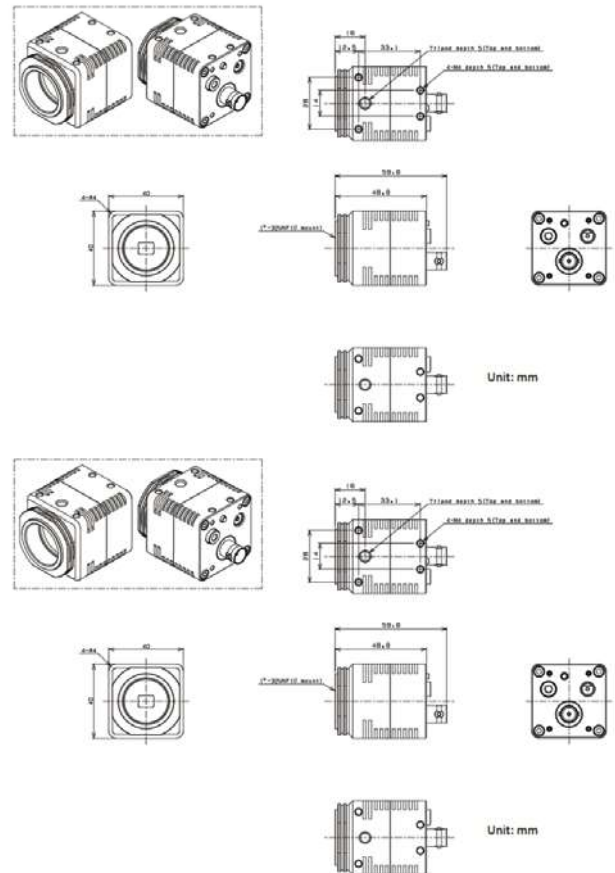
Specifications

Model Numbers	: STC-HD203DV (Cased) STC-HD203DV-B (Board) STC-HD93DV (Cased) STC-HD93DV-B (Board)
Image Sensor	: 1/2.8" CMOS Sensor (Sony: IMX136) : 1/3" CCD Sensor (ICX692AQA)
Shutter Type	: Rolling Shutter Global Shutter
Effective Pixels	: 1936 (H) x 1096 (V) 1280 (H) x 720 (V)
Cell Size	: 2.8 (H) x 2.8 (V) μm 4.08 (H) x 4.08 (V) μm
Video Output:	: (HD203DV) DVI 1.0 conformity; RGB, 1080P60, 1080P59.94, 1080P50, 1080P30, 1080P29.97, 1080P25, 720P60, 720P59.94, 720P50 (Default: 1080P60) : (HD93DV) DVI 1.0 conformity RGB, 1280 (H) x 720 (V), 59.94Hz / 60Hz / 50Hz / 29.97Hz / 30Hz / 25Hz
ALC	: (HD203DV) Extend shutter frame unit (Up to 2.55 sec) Up to 1/10,000 seconds : (HD93DV) Adjustable shutter speed via the UART communication, Up to 1/100,000 seconds at 60 Hz / 59.94 Hz or up to ~ 1/83,947 seconds at 50 Hz
Shutter Speed	: (HD203DV) Can be configured via UART communication with auto electronic shutter and AGC (HD93DV) Adjustable shutter speed via the UART communication, Up to 1/100,000 seconds at 60 Hz / 59.94 Hz or up to ~ 1/83,947 seconds at 50 Hz
Communication	: (HD203DV) +3.3V UART communication via 3.5 ϕ stereo jack; (Baud rate: 38,400bps, 19,200bps, 9,600bps) (HD93DV) +3.3 V UART communication via 3.5 ϕ stereo jack
Frame Rate	: 60fps
Sync System	: Internal
Video Output	: DVI Output : HDMI connector, SDI Output : BNC connector
Power Input	: +9 ~ +15 Vdc (Typical: +12 Vdc) 12V power jack
External Control	
3.5 ϕ stereo jack	
S/N Ratio	: \leq 4 Digital (Gain 0 db)
Minimum Scene Illumination	: 9.0 Lux at F1.2 (Color) 0.3 Lux at F1.2 (Monochrome)
ALC	: Auto Shutter / Auto Gain
Electronic Shutter:	: Free-run Mode: Exposure Time -- 32 μsec ~ 38sec (in full scanning mode), Edge Preset Trigger Mode: Exposure Time -- 32 μsec ~ 38sec (in full scanning mode),

Spectral Sensivity



Dimensions



※Specifications are subject to change without notice.