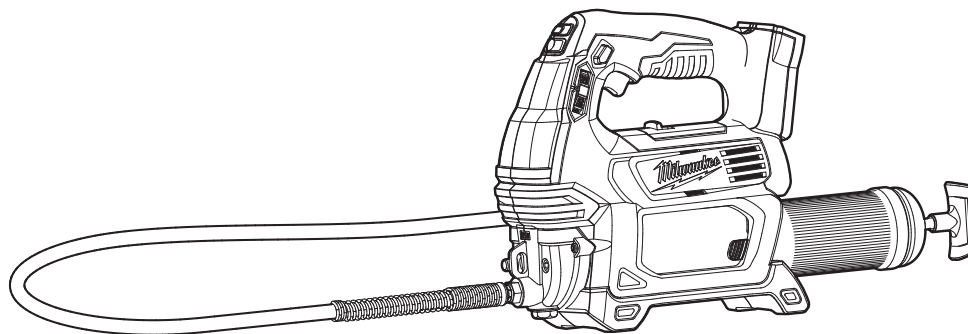




OPERATOR'S MANUAL
MANUEL de L'UTILISATEUR
MANUAL del OPERADOR



Cat. No. / No de cat.
2646-20

M18™ CORDLESS GREASE GUN
PISTOLET GRAISSEUR SANS FIL M18™
PISTOLA DE GRASA INALÁMBRICA M18™



WARNING To reduce the risk of injury, user must read and understand operator's manual.

AVERTISSEMENT Afin de réduire le risque de blessures, l'utilisateur doit lire et bien comprendre le manuel.

ADVERTENCIA Para reducir el riesgo de lesiones, el usuario debe leer y entender el manual.

GENERAL POWER TOOL SAFETY WARNINGS

WARNING Read all safety warnings, instructions, illustrations and specifications provided with this power tool. Failure to follow all instructions listed below may result in electric shock, fire and/or serious injury. **Save all warnings and instructions for future reference.** The term "power tool" in the warnings refers to your mains-operated (corded) power tool or battery-operated (cordless) power tool.

WORK AREA SAFETY

- **Keep work area clean and well lit.** Cluttered or dark areas invite accidents.
- **Do not operate power tools in explosive atmospheres, such as in the presence of flammable liquids, gases or dust.** Power tools create sparks which may ignite the dust or fumes.
- **Keep children and bystanders away while operating a power tool.** Distractions can cause you to lose control.

ELECTRICAL SAFETY

- **Power tool plugs must match the outlet. Never modify the plug in any way. Do not use any adapter plugs with earthed (grounded) power tools.** Unmodified plugs and matching outlets will reduce risk of electric shock.
- **Avoid body contact with earthed or grounded surfaces, such as pipes, radiators, ranges and refrigerators.** There is an increased risk of electric shock if your body is earthed or grounded.
- **Do not expose power tools to rain or wet conditions.** Water entering a power tool will increase the risk of electric shock.
- **Do not abuse the cord. Never use the cord for carrying, pulling or unplugging the power tool. Keep cord away from heat, oil, sharp edges or moving parts.** Damaged or entangled cords increase the risk of electric shock.
- **When operating a power tool outdoors, use an extension cord suitable for outdoor use.** Use of a cord suitable for outdoor use reduces the risk of electric shock.
- **If operating a power tool in a damp location is unavoidable, use a ground fault circuit interrupter (GFCI) protected supply.** Use of an GFCI reduces the risk of electric shock.

PERSONAL SAFETY

- **Stay alert, watch what you are doing and use common sense when operating a power tool. Do not use a power tool while you are tired or under the influence of drugs, alcohol or medication.** A moment of inattention while operating power tools may result in serious personal injury.
- **Use personal protective equipment. Always wear eye protection.** Protective equipment such as a dust mask, non-skid safety shoes, hard hat or hearing protection used for appropriate conditions will reduce personal injuries.
- **Prevent unintentional starting. Ensure the switch is in the off-position before connecting to power source and/or battery pack, picking up or carrying the tool.** Carrying power tools with your finger on the switch or energizing power tools that have the switch on invites accidents.

- **Remove any adjusting key or wrench before turning the power tool on.** A wrench or a key left attached to a rotating part of the power tool may result in personal injury.
- **Do not overreach. Keep proper footing and balance at all times.** This enables better control of the power tool in unexpected situations.
- **Dress properly. Do not wear loose clothing or jewelry. Keep your hair and clothing away from moving parts.** Loose clothes, jewelry or long hair can be caught in moving parts.
- **If devices are provided for the connection of dust extraction and collection facilities, ensure these are connected and properly used.** Use of dust collection can reduce dust-related hazards.
- **Do not let familiarity gained from frequent use of tools allow you to become complacent and ignore tool safety principles.** A careless action can cause severe injury within a fraction of a second.

POWER TOOL USE AND CARE

- **Do not force the power tool. Use the correct power tool for your application.** The correct power tool will do the job better and safer at the rate for which it was designed.
- **Do not use the power tool if the switch does not turn it on and off.** Any power tool that cannot be controlled with the switch is dangerous and must be repaired.
- **Disconnect the plug from the power source and/or remove the battery pack, if detachable, from the power tool before making any adjustments, changing accessories, or storing power tools.** Such preventive safety measures reduce the risk of starting the power tool accidentally.
- **Store idle power tools out of the reach of children and do not allow persons unfamiliar with the power tool or these instructions to operate the power tool.** Power tools are dangerous in the hands of untrained users.
- **Maintain power tools and accessories. Check for misalignment or binding of moving parts, breakage of parts and any other condition that may affect the power tool's operation. If damaged, have the power tool repaired before use.** Many accidents are caused by poorly maintained power tools.
- **Keep cutting tools sharp and clean.** Properly maintained cutting tools with sharp cutting edges are less likely to bind and are easier to control.
- **Use the power tool, accessories and tool bits etc. in accordance with these instructions, taking into account the working conditions and the work to be performed.** Use of the power tool for operations different from those intended could result in a hazardous situation.
- **Keep handles and grasping surfaces dry, clean and free from oil and grease.** Slippery handles and grasping surfaces do not allow for safe handling and control of the tool in unexpected situations.

BATTERY TOOL USE AND CARE

- **Recharge only with the charger specified by the manufacturer.** A charger that is suitable for one type of battery pack may create a risk of fire when used with another battery pack.
- **Use power tools only with specifically designated battery packs.** Use of any other battery packs may create a risk of injury and fire.

- **When battery pack is not in use, keep it away from other metal objects, like paper clips, coins, keys, nails, screws or other small metal objects, that can make a connection from one terminal to another.** Shorting the battery terminals together may cause burns or a fire.
- **Under abusive conditions, liquid may be ejected from the battery; avoid contact. If contact accidentally occurs, flush with water. If liquid contacts eyes, additionally seek medical help.** Liquid ejected from the battery may cause irritation or burns.
- **Do not use a battery pack or tool that is damaged or modified.** Damaged or modified batteries may exhibit unpredictable behavior resulting in fire, explosion or risk of injury.
- **Do not expose a battery pack or tool to fire or excessive temperature.** Exposure to fire or temperature above 265°F (130°C) may cause explosion.
- **Follow all charging instructions and do not charge the battery pack or tool outside the temperature range specified in the instructions.** Charging improperly or at temperatures outside the specified range may damage the battery and increase the risk of fire.

SERVICE

- **Have your power tool serviced by a qualified repair person using only identical replacement parts.** This will ensure that the safety of the power tool is maintained.
- **Never service damaged battery packs.** Service of battery packs should only be performed by the manufacturer or authorized service providers.

SPECIFIC SAFETY RULES FOR GREASE GUN

- **High pressure can cause some tool parts or hose assembly to rupture, posing a risk of injection injury and/or amputation.** Inspect tool and hose assembly for damage or wear before each use. Do not use if damaged or worn.
- **Do not operate without proper safety apparel, including eye protection marked to comply with ANSI Z87.1, and gloves.**
- **Hold Hose Assembly by spring strain relief to avoid kinking the hose.**






- **Grease and lubricants may be flammable.** Do not expose to flame or heat source. Follow all warnings and instructions from grease and lubricant manufacturer.
- **Always use common sense and be cautious when using tools.** It is not possible to anticipate every situation that could result in a dangerous outcome. Do not use this tool if you do not understand these operating instructions or you feel the work is beyond your capability; contact Milwaukee Tool or a trained professional for additional information or training.
- **Maintain labels and nameplates.** These carry important information. If unreadable or missing, contact a MILWAUKEE service facility for a free replacement.

WARNING Some dust created by power sanding, sawing, grinding, drilling, and other construction activities contains chemicals known to cause cancer, birth defects or other reproductive harm. Some examples of these chemicals are:

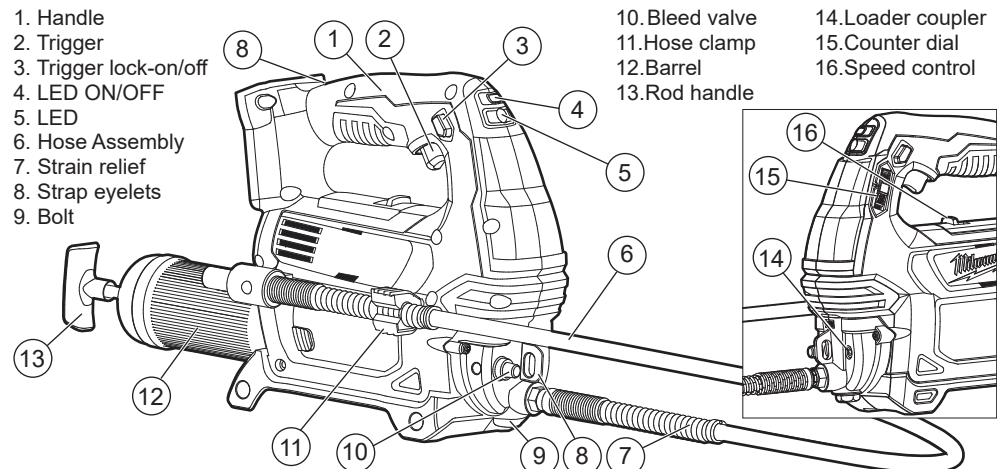
- lead from lead-based paint
- crystalline silica from bricks and cement and other masonry products, and
- arsenic and chromium from chemically-treated lumber.

Your risk from these exposures varies, depending on how often you do this type of work. To reduce your exposure to these chemicals: work in a well ventilated area, and work with approved safety equipment, such as those dust masks that are specially designed to filter out microscopic particles.

SYMBOLGY

| | |
|--|--------------------------------|
|  | Volts |
|  | Direct Current |
|  | Pounds per Square Inch |
|  | Read Operator's Manual |
|  | UL Listing for Canada and U.S. |

FUNCTIONAL DESCRIPTION



SPECIFICATIONS

| | |
|---|---------------------------------|
| Cat. No. | 2646-20 |
| Volts..... | 18 DC |
| Battery Type..... | M18™ |
| Charger Type..... | M18™ |
| Max. Operating Pressure..... | ① 10,000 psi (690 bar) |
| | ② 5000 psi (345 bar) |
| Flow Rate | ① 3.5 oz/min |
| | ② 10 oz/min |
| Barrel Capacity | 16 oz Bulk 14.5 oz Cartridge |
| Hose Rating..... | 10,000 psi (690 bar) |
| Recommended Ambient Operating Temperature..... | 0°F to 125°F |

ASSEMBLY

WARNING Recharge only with the charger specified for the battery. For specific charging instructions, read the operator's manual supplied with your charger and battery.

Removing/Inserting the Battery

To remove the battery, push in the release buttons and pull the battery pack away from the tool.

WARNING Always lock the trigger or remove the battery pack any time the tool is not in use.

To insert the battery, slide the pack into the body of the tool. Make sure it latches securely into place.

WARNING Only use accessories specifically recommended for this tool. Others may be hazardous.

Installing the Clear Barrel (Accessory Cat. No. 49-16-2646)

A clear grease barrel is offered to replace the provided steel barrel.

- To install the clear barrel, unscrew and remove the steel grease barrel from the tool.
- Unscrew the cap with rod from the back of the steel barrel.
- Remove the spacer screw with a phillips screwdriver, and remove the plastic spacer by squeezing the two retention tabs and pulling away from the tool.
- Screw the back cap with rod onto the clear barrel.
- Screw the clear barrel into tool.

OPERATION

WARNING Always remove battery pack before changing or removing accessories. Only use accessories specifically recommended for this tool. Others may be hazardous. To reduce the risk of injury, always wear proper eye protection marked to comply with ANSI Z87.1.

Fuel Gauge

To determine the amount of charge left in the battery, pull the trigger. The Fuel Gauge will light up for 2-3 seconds.

To signal the end of charge, 1 light on the fuel gauge will flash for 2-3 seconds.

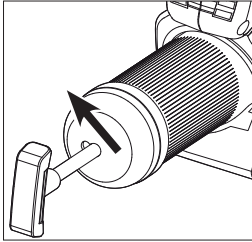
Installing a Fitting/Coupler

Screw the appropriate coupler to the end of the hose assembly. Use only accessories rated for at least 10,000 psi (690 bar).

CAUTION To avoid contamination in the grease gun, Always make sure the barrel (inside and outside) and surfaces contacting the barrel are clean of dirt, dust and debris. This debris can be pulled into the grease gun and clog the valve.

Grease Cartridge Loading

- Remove the battery pack.
- Pull back the rod, and push it sideways into the retaining slot. Ensure the rod is securely seated in the slot or it may spring back.
- Unscrew and remove the barrel.
- Remove the cap from the cartridge.
- Insert the cartridge, open end first, into the barrel.
- Remove the seal from the cartridge.
- Screw the barrel into the grease gun.
- Release the rod from the retaining slot and press it completely into the barrel.
- Prime the grease gun according to "Priming the Grease Gun"



Bulk Grease Loading

Bulk grease can be loaded 2 ways, using the barrel for suction loading, or using a pump to load grease through a coupler.

Suction Loading

- Remove the battery pack.
- Unscrew and remove the barrel.
- Insert the open end of the barrel below the surface of the bulk grease.
- Pull back the rod, and push it sideways into the retaining slot.
- Remove the barrel from the bulk grease.
- Wipe excess grease from the outside of the barrel and screw it into the grease gun.
- Release the rod from the retaining slot and press it completely into the barrel.
- Prime the grease gun according to "Priming the Grease Gun"

WARNING To reduce the risk of injury, use only low pressure loader fittings.

Excessive pressure can be caused by high pressure loader fittings.

Pump Loading

- Remove the battery pack.
- Pull back the rod and turn the rod handle to lock into the plunger. Release the rod/plunger. Do NOT push the rod into the retaining slot.
- Insert the loader fitting into the grease gun loader coupler.

CAUTION To avoid damage to the grease gun and pump, the loader fitting MUST be compatible with the coupler and rated for at least 10,000 psi (690 bar).

- Operate the loader pump until the rod has been pushed out of the barrel approximately 8".
- Rotate the rod handle to release the plunger. Press the rod completely into the barrel.
- Prime the grease gun according to "Priming the Grease Gun"

Priming the Grease Gun

- Insert the battery pack
 - Push the priming valve until all air has escaped.
 - Hold the hose assembly by the spring strain relief and point away from your body.
 - Pull the trigger for 10-20 seconds.
 - If grease doesn't appear, repeat from step 2.
- NOTE:** This tool has been tested to factory standards, which results in a small amount of grease being left in the pump body, hose and coupler assembly. It is recommended that you purge this tool with the brand of grease you will be using before actual use.

LED

To turn the LED on or off, press the LED button or pull the trigger. The LED will go off automatically 10 minutes after last use.

Counter Dial

The counter dial can be set to limit the amount of grease dispensed. Set the dial to ON to dispense grease as long as the trigger is pulled. Set the dial to "1" through "50" to dispense grease for a specific number of piston strokes. **NOTE:** The counter is reset each time the trigger is pulled. If the counter is set for 10, but the trigger is only pulled for 6 strokes, the next time the trigger is pulled it will start over.

Speed Control

Push the speed control switch to display "1" for low flow rate, high pressure. Push the speed control switch to display "2" for high flow rate, low pressure.

Troubleshooting

| | |
|---|---|
| Unable to pull back rod | Press the bleeder to release pressure |
| Unable to push rod forward | Rotate rod 90° to disengage it from plunger |
| No grease when trigger is pulled | Barrel is empty, add grease |
| | Air pockets in the barrel, prime the grease gun Contamination in grease barrel, see "Clearing Contamination" |
| Grease gun stops pumping after one/several pump strokes | Confirm that Counter dial is set to "ON" position |

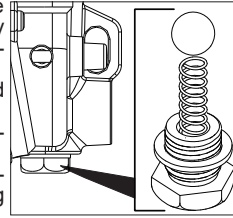
Clearing Contamination

If the motor runs when the trigger is pulled, but there is no pumping sound and grease is not dispensed, there may be contamination in the grease gun. Always make sure the barrel (inside and outside) and surfaces contacting the barrel are clean of dirt, dust and debris. This debris can be pulled into the grease gun and clog the valve.

To clear the contamination:

- Check to be sure the tool is properly primed and that there is sufficient grease in the barrel.
If the problem persists...
- Remove the hose assembly.
- Pull and hold the trigger for up to 45 seconds. If grease begins to pump out of the tool the debris has been cleared. Reattach the hose assembly and begin using the tool.
If the problem persists...

- Remove the bolt from below the hose assembly.
- Pull trigger for 15 seconds to clear the contamination.
- If a spring or ball are expelled, wipe away any contamination and reinsert, as shown.
- Reattach the bolt and tighten securely.
- Pull trigger for 30 seconds.
- Reattach the hose assembly and begin using the tool.



MAINTENANCE

WARNING To reduce the risk of injury, always unplug the charger and remove the battery pack from the charger or tool before performing any maintenance. Never disassemble the tool, battery pack or charger. Contact a MILWAUKEE service facility for ALL repairs.

Maintaining Tool

Keep your tool, battery pack and charger in good repair by adopting a regular maintenance program. Inspect your tool for issues such as undue noise, misalignment or binding of moving parts, breakage of parts, or any other condition that may affect the tool operation. Return the tool, battery pack, and charger to a MILWAUKEE service facility for repair. After six months to one year, depending on use, return the tool, battery pack and charger to a MILWAUKEE service facility for inspection.

If the tool does not start or operate at full power with a fully charged battery pack, clean the contacts on the battery pack. If the tool still does not work properly, return the tool, charger and battery pack, to a MILWAUKEE service facility for repairs.

WARNING To reduce the risk of personal injury and damage, never immerse your tool, battery pack or charger in liquid or allow a liquid to flow inside them.

Cleaning

Clean dust and debris from any vents. Keep tool clean, dry and free of oil or grease. Use only mild soap and a damp cloth to clean, since certain cleaning agents and solvents are harmful to plastics and other insulated parts. Some of these include gasoline, turpentine, lacquer thinner, paint thinner, chlorinated cleaning solvents, ammonia and household detergents containing ammonia. Never use flammable or combustible solvents around tools.

Repairs

For repairs, return the tool, battery pack and charger to the nearest authorized service center.

ACCESSORIES

WARNING Use only recommended accessories. Others may be hazardous. For a complete listing of accessories, go online to www.milwaukeekeetool.com or contact a distributor.

• **Ne pas utiliser le produit sans l'équipement de sécurité approprié, ce qui inclut une protection oculaire certifiée conforme à la norme ANSI Z87.1 et des gants.**

• **Tenir l'ensemble de tuyau par le réducteur de tension à ressort afin d'éviter que le tuyau ne s'entortille.**

• **La graisse et les lubrifiants peuvent être inflammables.** Ne pas exposer ces éléments à une flamme ou à une source de chaleur. Suivre tous les avertissements et toutes les instructions du fabricant de la graisse et du lubrifiant.

• **Toujours faire preuve de bons sens et procéder avec prudence lors de l'utilisation d'outils.** C'est impossible de prévoir toutes les situations dont le résultat est dangereux. Ne pas utiliser cet outil si vous ne comprenez pas ces instructions d'opération ou si vous pensez que le travail dépasse votre capacité ; veuillez contacter Milwaukee Tool ou un professionnel formé pour recevoir plus d'information ou formation.

• **Maintenir en l'état les étiquettes et les plaques d'identification.** Des informations importantes y figurent. Si elles sont illisibles ou manquantes, contacter un centre de services et d'entretien MILWAUKEE pour un remplacement gratuit.

• **AVERTISSEMENT** Certaines poussières générées par les activités de ponçage, de coupe, de rectification, de perçage et d'autres activités de construction contiennent des substances considérées être la cause de malformations congénitales et de troubles de l'appareil reproducteur. Parmi ces substances figurent :

- le plomb contenu dans les peintures à base de plomb ;
- la silice cristalline des briques, du ciment et d'autres matériaux de maçonnerie, ainsi que
- l'arsenic et le chrome des sciages traités chimiquement.

Les risques encourus par l'opérateur envers ces expositions varient en fonction de la fréquence de ce type de travail. Pour réduire l'exposition à ces substances chimiques, l'opérateur doit : travailler dans une zone bien ventilée et porter l'équipement de sécurité approprié, tel qu'un masque anti-poussière spécialement conçu pour filtrer les particules microscopiques.

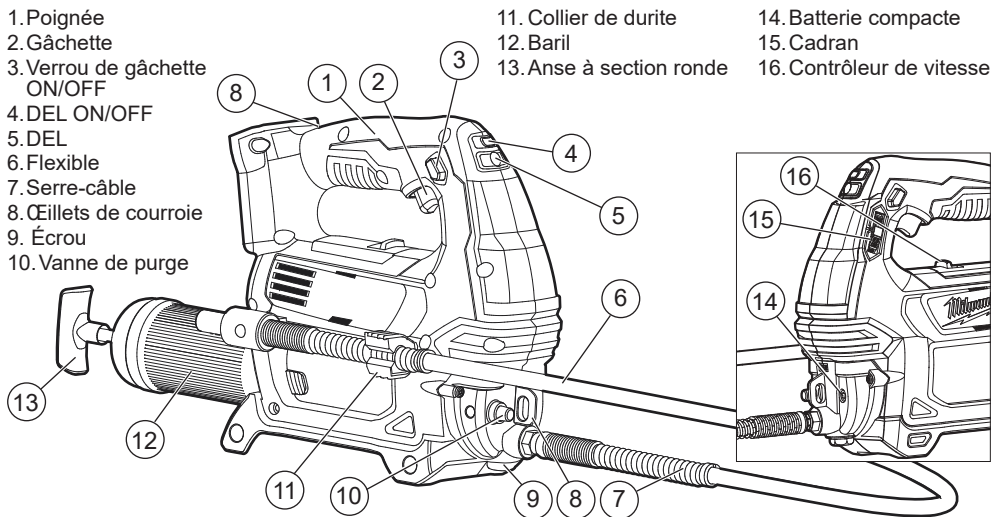
PICTOGRAPHIE

- Volts
- Courant direct
- Livres par pouce carré
- Lire le manuel d'utilisation
- UL Listing Mark pour Canada et États-Unis

SPÉCIFICATIONS

| | |
|---|-------------------------------|
| No de Cat..... | 2646-20 |
| Volts..... | 18 CD |
| Type de batterie..... | M18™ |
| Type de chargeur..... | M18™ |
| Pression de fonctionnement..... | ①..... 690 bar (10 000 ps) |
| | ②..... 345 bar (5 000 psi) |
| Débit..... | ①..... 104 ml/min |
| | ②..... 294 ml/min |
| Capacité du cylindre..... | Volume de 473 ml (16 oz) |
| | Cartouche de 429 ml (14,5 oz) |
| Caractéristiques nominales du tuyau..... | 690 bar (10 000 psi) |
| Température ambiante de fonctionnement recommandée..... | -18°C à 50°C (0°F à 125°F) |

DESCRIPTION FONCTIONNELLE



MONTAGE DE L'OUTIL

AVERTISSEMENT Ne recharger la batterie qu'avec le chargeur spécifié. Pour les instructions de charge spécifiques, lire le manuel d'utilisation fourni avec le chargeur et les batteries.

Insertion/Retrait de la batterie

Pour retirer la batterie, enfoncez les boutons de déverrouillage et la tirer hors de l'outil.

AVERTISSEMENT Toujours verrouiller la détente ou retirer la batterie les fois que l'outil est inutilisé.

Pour insérer la batterie, la glisser dans le corps de l'outil. S'assurer qu'elle est fixée solidement.

AVERTISSEMENT L'emploi d'accessoires autres que ceux qui sont expressément recommandés pour cet outil peut comporter des risques.

Installer le baril transparent

(Accessoire Cat. No. 49-16-2646)

Un baril de graisse transparent est offert pour remplacer le baril en acier fourni.

1. Pour installer le baril, dévisser et retirer le baril de graisse en acier de l'outil.
2. Dévisser le couvercle à tige à l'arrière du baril en acier.
3. Retirer la vis d'espacement à l'aide d'un tournevis cruciforme, et retirer l'entretoise plastique en pressant les deux onglets de rétention et en le retirant de l'outil.
4. Visser l'arrière du couvercle à tige sur le baril transparent.
5. Visser le baril transparent sur l'outil.

MANIEMENT

AVERTISSEMENT Il faut toujours retirer la batterie et verrouiller la détente de l'outil avant de changer ou d'enlever les accessoires. L'emploi d'accessoires autres que ceux qui sont expressément recommandés pour cet outil peut comporter des risques.

Afin de minimiser le risque de blessures, toujours porter la protection oculaire appropriée certifiée conforme à la norme ANSI Z87.1.

Indicateur de charge de la batterie

Pour déterminer l'autonomie de la batterie, appuyer sur la gâchette.

Pour signaler la fin de la charge, l'indicateur de charge de la batterie met à feu une lumière pendant deux à trois secondes.

Installation d'un raccord ou d'un coupleur Visser le coupleur approprié à l'extrémité de l'ensemble de tuyau. Utiliser uniquement les accessoires qui tolèrent au moins 690 bars (10 000 psi).

ATTENTION Afin d'éviter toute contamination du pistolet à graisse, veuillez vous assurer que le baril (intérieur et extérieur), ainsi que les surfaces en contact avec le baril sont propres de toute saleté, poussière et débris. Ces débris peuvent se retrouver dans la graisse et obstruer la valve.

Chargement de la cartouche de graisse

1. Retirer le bloc-piles.
2. Tirer la tige vers l'arrière et la pousser latéralement dans la fente de retenue. Assurez-vous que la tige est complètement entrée dans la fente, ou elle peut dos de ressort.

3. Dévisser et retirer le cylindre.

4. Retirer le couvercle de la cartouche.

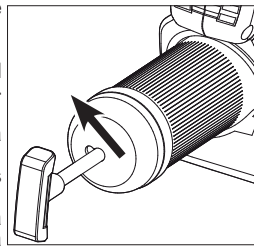
5. Insérer la cartouche, ouvrez l'entrée latérale d'abord, dans le cylindre.

6. Retirer le cachet de la cartouche.

7. Visser le cylindre dans le pistolet graisseur.

8. Relâcher la tige de la fente de retenue et la presser complètement dans le cylindre.

9. Amorcer le pistolet graisseur tel que décrit à la section intitulée « Amorçage du pistolet graisseur ».



Chargement de la graisse en vrac

La graisse en vrac peut être chargée de deux façons, soit à l'aide du cylindre pour un chargement par suction, soit à l'aide d'une pompe pour un chargement au moyen d'un coupleur.

Chargement par suction

1. Retirer le bloc-piles.
2. Dévisser et retirer le cylindre.
3. Insérer l'extrémité ouverte du cylindre en dessous de la surface de la graisse en vrac.
4. Tirer la tige vers l'arrière et la pousser latéralement dans la fente de retenue.
5. Retirer le cylindre de la graisse en vrac.
6. Essuyer l'excédent de graisse se trouvant sur l'extérieur du cylindre et le visser dans le pistolet graisseur.
7. Relâcher la tige de la fente de retenue et la presser complètement dans le cylindre.
8. Amorcer le pistolet graisseur tel que décrit à la section intitulée « Amorçage du pistolet graisseur ».

AVERTISSEMENT Pour réduire le risque de blessure, utiliser uniquement des raccords de chargeur à basse pression. Les raccords de chargeur à haute pression peuvent causer une pression excessive.

Chargement de la pompe

1. Retirer le bloc-piles.
2. Tirer la tige vers l'arrière et tourner la poignée de la tige de manière à la verrouiller dans le piston. Relâcher la tige et le piston. Ne PAS pousser la tige dans la fente de retenue.
3. Insérer le raccord de chargeur dans le coupleur du chargeur du pistolet graisseur.

ATTENTION Pour éviter que soient endommagés le pistolet graisseur et la pompe, le raccord du chargeur DOIT être compatible avec le coupleur. Utiliser uniquement les accessoires qui tolèrent au moins 690 bars (10 000 psi).

4. Faire fonctionner la pompe du chargeur jusqu'à ce que la tige soit poussée d'environ 200 mm (8") hors du cylindre.
5. Tourner la poignée de la tige de manière à relâcher le piston. Presser la tige complètement dans le cylindre.
6. Amorcer le pistolet graisseur tel que décrit à la section intitulée « Amorçage du pistolet graisseur ».

Amorçage du pistolet graisseur

1. Insérer la batterie compacte.
2. Presser le clapet d'amorçage jusqu'à ce que tout l'air se soit échappé.

por falla de conexión a tierra (GFCI). El uso de un GFCI reduce el riesgo de descarga eléctrica.

SEGURIDAD PERSONAL

- **Manténgase alerta, atento a lo que está haciendo y utilice el sentido común al utilizar una herramienta eléctrica.** No utilice una herramienta eléctrica mientras está cansado o bajo la influencia de drogas, alcohol o medicamentos. Un momento de distracción al utilizar herramientas eléctricas puede ocasionar lesiones personales graves.
- **Utilice equipo de protección personal. Siempre use protección para los ojos.** El equipo de protección, tal como una máscara contra polvo, calzado antideslizante, casco o protección auditiva, utilizado para condiciones adecuadas disminuirá las lesiones personales.
- **Evite el arranque accidental. Asegúrese de que el interruptor esté en la posición de apagado antes de conectarlo a una fuente de poder y/o batería, levantar o trasladar la herramienta.** Trasladar herramientas con el dedo en el interruptor o energizar herramientas eléctricas que tienen el interruptor encendido propicia accidentes.
- **Retire cualquier llave de ajuste antes de entender la herramienta.** Una llave que se deje insertada en una parte giratoria de la herramienta eléctrica puede ocasionar lesiones personales.
- **No estire el cuerpo demasiado. Mantenga un buen contacto entre los pies y el suelo y mantenga el equilibrio en todo momento.** Esto permite un mejor control de la herramienta eléctrica en situaciones inesperadas.
- **Vístase adecuadamente. No utilice ropa o joyería holgada. Mantenga el cabello y la ropa alejados de las partes móviles.** La ropa holgada, las alhajas o el cabello largo pueden quedarse atrapados en las partes móviles.
- **Si se proporcionan dispositivos para la conexión de instalaciones de extracción y recolección de polvo, cerciórese de que estén conectados y se utilicen correctamente.** El uso de dispositivos recolectores de polvo puede disminuir los riesgos relacionados con el polvo.
- **No permita que la familiaridad por el uso frecuente de las herramientas lo hagan sentirse seguro e ignorar los principios de seguridad de las herramientas.** Un descuido puede provocar lesiones graves en una fracción de segundo.

USO Y CUIDADO DE LAS HERRAMIENTAS ELÉCTRICAS

- **No fuerce la herramienta eléctrica. Utilice la herramienta eléctrica correcta para su aplicación.** La herramienta eléctrica correcta realizará el trabajo mejor y con mayor seguridad a la velocidad para la que fue diseñada.
- **No utilice la herramienta eléctrica si el interruptor no la enciende y la apaga.** Cualquier herramienta eléctrica que no pueda controlarse con el interruptor es peligrosa y debe repararse.
- **Desconecte el enchufe de la fuente de energía y/o quite la batería de la herramienta eléctrica, si es posible, antes de realizar cualquier ajuste, cambiar accesorios o almacenar las herramientas eléctricas.** Tales medidas preventivas de seguridad disminuyen el riesgo de que la herramienta eléctrica se encienda accidentalmente.
- **Almacene las herramientas eléctricas que no se estén utilizando fuera del alcance de los niños y no permita que personas que no estén familiarizadas con la herramienta eléctrica o con estas instrucciones la utilicen.** Las herramientas eléctricas son

peligrosas en manos de usuarios sin capacitación.

- **Dé mantenimiento a las herramientas eléctricas y accesorios.** Verifique que no haya desalineación, amarre de partes móviles, partes rotas o alguna otra condición que pueda afectar el funcionamiento de la herramienta eléctrica. Si se daña, asegúrese de que la herramienta eléctrica sea reparada antes de que se utilice. Muchos accidentes son ocasionados por herramientas eléctricas con mantenimiento deficiente.
- **Mantenga las herramientas de corte afiladas y limpias.** Las herramientas de corte correctamente mantenidas con bordes de corte afilados son menos propensas a atorarse y son más fáciles de controlar.
- **Utilice la herramienta eléctrica, los accesorios y las puntas, etc. de acuerdo con estas instrucciones, tomando en cuenta las condiciones de trabajo y el trabajo a realizar.** El uso de la herramienta eléctrica para operaciones diferentes a las previstas podría generar una situación peligrosa.
- **Mantenga las empuñaduras y ñas superficies de sujeción secas, limpias y libres de aceite y grasa.** Las empuñaduras y superficies de sujeción resbalosas no permiten el manejo y control seguros de la herramienta en situaciones inesperadas.

USO Y CUIDADO DE LAS HERRAMIENTAS CON BATERÍA

- **Recargue únicamente con el cargador especificado por el fabricante.** Un cargador que es adecuado para un tipo de batería puede crear un riesgo de incendio si se utiliza con otra batería.
- **Utilice las herramientas eléctricas únicamente con baterías específicamente diseñadas.** El uso de cualquier otra batería puede producir un riesgo de lesiones e incendio.
- **Cuando la batería no esté en uso, manténgala alejada de otros objetos metálicos como sujetapapeles, monedas, llaves, clavos, tornillos u otros objetos metálicos pequeños que puedan formar una conexión de una terminal a otra.** Crear un corto entre las terminales de la batería puede ocasionar quemaduras o un incendio.
- **Bajo condiciones de maltrato, el líquido puede ser expulsado de la batería, evite el contacto. En caso de contacto accidental, lave con agua. Si el líquido entra en contacto con los ojos, busque además ayuda médica.** El líquido expulsado de la batería puede causar irritación o quemaduras.
- **No use una batería o herramienta que se haya dañado o modificado.** Las baterías dañadas o modificadas pueden mostrar un comportamiento impredecible, causando incendios, explosión o riesgo de lesión.
- **No exponga una batería o herramienta al fuego o a temperatura excesiva.** La exposición a fuego o temperatura a más de 130° C (265° F) puede causar explosiones.
- **Siga todas las instrucciones de carga y no cargue la batería o la herramienta fuera del rango de temperatura especificado en las instrucciones.** La carga incorrecta o a temperaturas fuera del rango especificado puede dañar la batería y aumentar el riesgo de incendio.

MANTENIMIENTO



- **Lleve su herramienta eléctrica a servicio con un técnico calificado que use únicamente piezas de reemplazo idénticas.** Esto asegurará que la seguridad de la herramienta eléctrica se mantenga.
- **Nunca dé servicio a baterías dañadas.** Únicamente el fabricante o proveedores de servicio autorizados deben dar servicio a las baterías.

REGLAS ESPECIFICAS DE SEGURIDAD PARA PISTOLA DE GRASA

- **La alta presión puede causar ruptura de la herramienta o del conjunto de la manguera, lo que representa un riesgo de inyección, lesión o amputación.** Verifique que la herramienta y el conjunto de la manguera no estén dañados ni desgastados antes de cada uso. No use la herramienta si está dañada o desgastada.
 - **No use la herramienta sin la ropa protectora adecuada, que incluye protección ocular con la marca de cumplimiento con la norma ANSI Z87.1 y guantes.**
 - **Sostenga el conjunto de la manguera desde el resorte del protector del cordón para evitar que la manguera se retuerza.**
 - **La grasa y los lubricantes pueden ser inflamables. No exponga la herramienta a las llamas ni a fuentes de calor.** Siga todas las advertencias e instrucciones del fabricante de grasa y lubricante.
 - **Mantenga las manos alejadas de todos los bordes cortadores y partes en movimiento.**
 - **Válgase siempre de su sentido común y sea cuidadoso cuando utilice herramientas.** No es posible anticipar todas las situaciones que podrían tener un desenlace peligroso. No utilice esta herramienta si no entiende estas instrucciones de uso o si considera que el trabajo a realizar supera sus capacidades, comuníquese con Milwaukee Tool o con un profesional capacitado para recibir capacitación o información adicional.
 - **Conserve las etiquetas y las placas nominales.** Contienen información importante. Si son ilegibles o no están presentes, comuníquese con un centro de servicio MILWAUKEE para obtener un reemplazo gratuito.
- ▲ ADVERTENCIA** Algunos polvos generados por el lijado eléctrico, aserrado, pulido, taladrado y otras actividades de construcción contienen químicos identificados como causantes de cáncer, defectos congénitos u otros daños reproductivos. Algunos ejemplos de estos químicos son:
- plomo de pintura basada en plomo

- dióxido de silicio de los ladrillos y el cemento y otros productos de albañilería y
- arsénico y cromo de madera con tratamiento químico. Su riesgo por estas exposiciones varía, dependiendo de la frecuencia con que realice este tipo de trabajo. Para reducir su exposición a estos químicos: trabaje en un área bien ventilada y trabaje con equipo de seguridad aprobado, como mascarillas protectoras contra polvo especialmente diseñadas para filtrar partículas microscópicas.

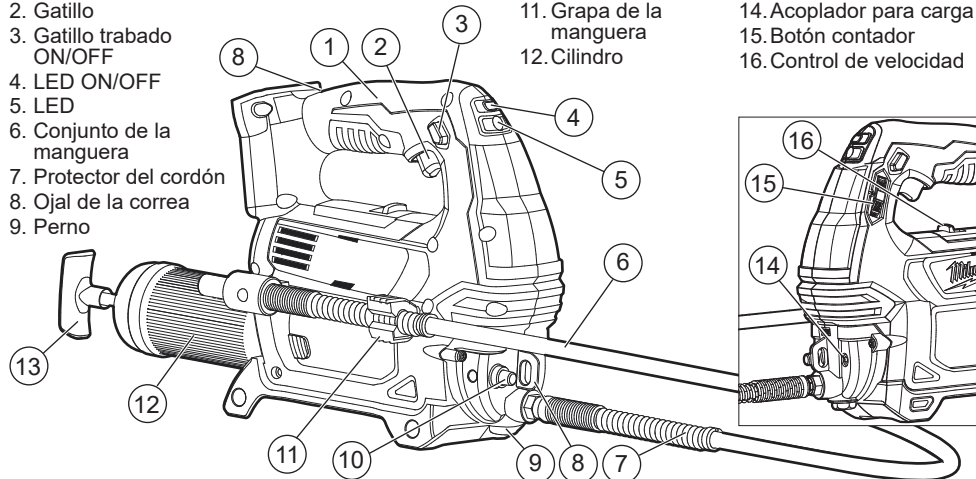
SIMBOLOGÍA

- V Volts
- Corriente continua
- psi Libras por pulgada cuadrada
-  Leer el manual del operador
-  UL Listing Mark para Canadá y Estados Unidos

ESPECIFICACIONES

| | |
|--|-------------------------------|
| Cat. No..... | 2646-20 |
| Volts..... | 18 CD |
| Tipo de batería | M18™ |
| Tipo de cargador | M18™ |
| Presión de funcionamiento | ①..... 690 barra (10 000 psi) |
| | ②..... 345 barra (5 000 psi) |
| Velocidad de flujo | ①..... 104 ml/min |
| | ②..... 294 ml/min |
| Capacidad del cilindro | 473 ml (16 oz) a granel |
| | 429 ml (14,5 oz) a cartucho |
| Velocidad de la manguera | 690 barra (10 000 psi) |
| Temperatura ambiente recomendada para operar | -18°C a 50°C (0°F a 125°F) |

DESCRIPCION FUNCIONAL

- | | | |
|----------------------------|--------------------------|--------------------------|
| 1. Mango | 10. Válvula de purga | 13. Mango del vástago |
| 2. Gatillo | 11. Grapa de la manguera | 14. Acoplador para carga |
| 3. Gatillo trabado ON/OFF | 12. Cilindro | 15. Botón contador |
| 4. LED ON/OFF | | 16. Control de velocidad |
| 5. LED | | |
| 6. Conjunto de la manguera | | |
| 7. Protector del cordón | | |
| 8. Ojal de la correa | | |
| 9. Perno | | |
- 

ENSAMBLAJE

ADVERTENCIA Recargue la batería sólo con el cargador especificado para ella. Para instrucciones específicas sobre cómo cargar, lea el manual del operador suministrado con su cargador y la batería.

Como se inserta/quita la batería en la herramienta

Para retirar la batería, presione los botones de liberación y jale de la batería para sacarla de la herramienta.

ADVERTENCIA Bloquee siempre el gatillo o retire la batería cada vez que la herramienta no esté en uso.

Para introducir la batería, deslícela en el cuerpo de la herramienta. Asegúrese de que quede bien firme en su posición.

ADVERTENCIA Utilice únicamente accesorios específicamente recomendados para esta herramienta. El uso de accesorios no recomendados podría resultar peligroso.

Cómo instalar el cilindro transparente

(Cat. de accesorios No. 49-16-2646)

Se ofrece un cilindro transparente de grasa para reemplazar al cilindro de acero provisto.

1. Para instalar el cilindro transparente, desenrosque y quite el cilindro de acero de grasa de la herramienta.
2. Desenrosque la tapa con vástago de la parte trasera del cilindro de acero.
3. Extraiga el tornillo espaciador con un destornillador phillips y saque el espaciador de plástico presionando las dos ranuras de retención y tirando de la herramienta.
4. Enrosque la tapa trasera con vástago en el cilindro transparente.
5. Enrosque el cilindro transparente en la herramienta.

OPERACIÓN

ADVERTENCIA Para reducir el riesgo de lesiones, extraiga siempre la batería antes de acoplar o desacoplar accesorios. Utilice únicamente accesorios específicamente recomendados para esta herramienta. El uso de accesorios no recomendados podría resultar peligroso.

Con el fin de minimizar el riesgo de lesiones, siempre utilice la protección de ojos adecuada indicada para cumplir con lo dispuesto en la norma ANSI Z87.1.

Indicador de carga

Para determinar la cantidad de carga que queda en la batería, pulse el gatillo. El indicador de carga se encenderá durante 2-3 segundos.

Para indicar el final de la carga, una luz en el indicador de carga se encenderá durante 2-3 segundos.

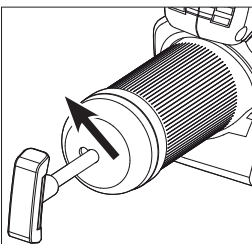
Instalación del conector/acoplador

Enrosque el acoplador adecuado al extremo del conjunto de la manguera. Use sólo accesorios preparados para barra de 690 (10 000 psi) como mínimo.

PRECAUCIÓN Para evitar la contaminación en la pistola de grasa, asegúrese siempre de que el cilindro (por dentro y por fuera) y las superficies de contacto con él estén limpias, sin polvo ni escombros. Los escombros pueden introducirse en la pistola de grasa y obstruir la válvula.

Carga de cartucho de grasa

1. Retire la batería.
2. Tire la varilla hacia atrás y presiónela en forma lateral hasta que se introduzca en la ranura de retención. Cerciórese de que la varilla esté trasladada totalmente a la ranura, o puede parte posterior de resorte.
3. Desenrosque y retire el cilindro.
4. Retire la tapa del cartucho.
5. Inserte el cartucho, abra entrar lateral primero, en el cilindro.
6. Retire la junta del cartucho.
7. Enrosque el cilindro en la pistola de grasa.
8. Suelte la varilla de la ranura de retención y presione hasta que se introduzca completamente dentro del cilindro.
9. Ceba la pistola de grasa como se indica en "Cebado de la pistola de grasa".



Carga de grasa a granel

La grasa a granel se puede cargar de dos maneras, usando el cilindro para una carga por succión o usando una bomba para una carga de grasa a través de un acoplador.

Carga por succión

1. Retire la batería.
2. Desenrosque y retire el cilindro.
3. Coloque el extremo abierto del cilindro debajo de la superficie de la grasa a granel.
4. Tire la varilla hacia atrás y presiónela en forma lateral hasta que se introduzca en la ranura de retención.
5. Retire el cilindro de la grasa a granel.
6. Limpie el exceso de grasa de la parte externa del cilindro y enrósquelo en la pistola de grasa.
7. Suelte la varilla de la ranura de retención y presiónela hasta que se introduzca completamente dentro del cilindro.
8. Ceba la pistola de grasa como se indica en "Cebado de la pistola de grasa".

ADVERTENCIA Para reducir el riesgo de lesiones, use sólo conectores para carga de baja presión. Los conectores para carga de alta presión pueden ocasionar un exceso de presión.

Carga por bomba

1. Retire la batería.
2. Tire la varilla hacia atrás y gire el mango del vástago para que se trabaje en el percutor. Suelte la varilla o el percutor. NO ejerza presión sobre la varilla para que se introduzca en la ranura de retención.
3. Introduzca el conector para carga dentro del acoplador para carga de la pistola de grasa.

PRECAUCIÓN Para evitar daños en la pistola de grasa y la bomba, el conector para carga DEBE ser compatible con el acoplador. Use sólo accesorios preparados para barra de 690 (10 000 psi) como mínimo.

4. Active la bomba para carga hasta que la varilla haya salido del cilindro aproximadamente 200 mm (8").
5. Gire el mango del vástago para liberar el percutor. Presione el vástago hasta que esté completamente dentro del cilindro.

6. Ceba la pistola de grasa como se indica en "Cebado de la pistola de grasa".

Cebado de la pistola de grasa

1. Introduzca la batería.
 2. Presione la válvula de cebado hasta extraer todo el aire.
 3. Sostenga el conjunto de la manguera desde el resorte del protector del cordón y apunte lejos de su cuerpo.
 4. Pulse el gatillo durante 10-20 segundos.
 5. Si la grasa no aparece, repita desde el paso 2.
- NOTA:** Esta herramienta ha sido evaluada conforme a las normas de fábrica, el resultado es una pequeña cantidad de grasa en el conjunto del acoplador, de la manguera y del cuerpo de la bomba. Antes de utilizar esta herramienta, se recomienda que la limpie con la marca de grasa que usará.

LED

Para encender o apagar la luz LED, pulse el botón LED o el gatillo. La luz LED se apagará automáticamente a los 10 minutos del último uso.

Botón contador

El botón contador puede ajustarse para limitar la cantidad de grasa que se dosifica. Coloque el botón en ON para dosificar la grasa mientras se pulsa el gatillo. Ajuste el botón de "1" a "50" para dosificar la grasa por un número específico de emboladas. **NOTA:** El contador vuelve a cero cada vez que se pulsa el gatillo. Si se ajusta el contador para 10 emboladas, pero sólo se lo pulsa 6, la próxima vez que se vuelva a pulsar el gatillo, comenzará de cero.

Control de velocidad

Pulse el interruptor de control de velocidad hasta que muestre "1" para velocidad baja (velocidad de flujo baja, presión alta). Pulse el interruptor de control de velocidad hasta que muestre "2" para velocidad alta (velocidad de flujo alta, presión baja).

Localice Averías

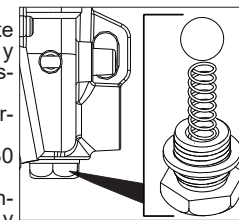
| | |
|---|--|
| Si no puede tirar el vástago hacia atrás | Presione el purgador para liberar presión |
| Si no puede tirar el vástago hacia delante | Gírelo 90° para desengancharlo del percutor |
| Si no sale grasa cuando el gatillo está presionado | El cilindro está vacío, agregue grasa |
| | Bolsas de aire en el cilindro, ceba la pistola de grasa |
| La pistola de grasa deja de bombear después de una/varias pulsaciones de la bomba | Si hubiera contaminación en el cilindro de grasa, consulte la sección "Cómo eliminar la contaminación" |
| | Cerciórese de que el botón contador está en ON |

Cómo eliminar la contaminación

Si el motor funciona cuando se acciona el gatillo, pero no se escucha el sonido de bombeo y la grasa no se surte, es posible que la pistola de grasa esté contaminada. Asegúrese siempre de que el cilindro (por dentro y por fuera) y las superficies en contacto con él estén limpias de suciedad, polvo y escombros. Los escombros pueden introducirse en la pistola de grasa y obstruir la válvula.

Para eliminar la contaminación, haga lo siguiente:

1. Verifique que la herramienta esté correctamente cebada y que tenga suficiente grasa en el cilindro. Si el problema continúa...
2. Extraiga el conjunto de la manguera.
3. Apriete el gatillo y manténgalo así por hasta 45 segundos. Si la grasa comienza a ser bombeada, la herramienta se habrá limpiado de los escombros. Vuelva a adosar el conjunto de la manguera y comience a usar la herramienta. Si el problema continúa...
4. Extraiga el perno de abajo del conjunto de la manguera.
5. Apriete el gatillo durante 15 segundos para eliminar la contaminación.
6. Si se expulsa un resorte o esfera, limpie todo y reinserte, según se ilustra.
7. Vuelva a colocar el perno y ajuste bien.
8. Apriete el gatillo por 30 segundos.
9. Vuelva a adosar el conjunto de la manguera y comience a usar la herramienta.



MANTENIMIENTO

ADVERTENCIA Para reducir el riesgo de una lesión, desconecte siempre la herramienta antes de darle cualquier mantenimiento. Nunca desarme la herramienta ni trate de hacer modificaciones en el sistema eléctrico de la misma. Acuda siempre a un Centro de Servicio MILWAUKEE para TODAS las reparaciones.

Mantenimiento de las herramientas

Adopte un programa regular de mantenimiento y mantenga su herramienta en buenas condiciones. Inspeccione la herramienta para problemas como ruidos indebidos, desalineadas o agarradas de partes móviles, piezas rotas o cualquier otra condición que pueda afectar el funcionamiento de la herramienta. Envíe su herramienta al Centro de Servicio MILWAUKEE para reparación. Después de 6 meses a un año, dependiendo del uso dado, envíe su herramienta al Centro de Servicio MILWAUKEE más cercano para la inspección. Si la herramienta no arranca u opera a toda su potencia con una batería completamente cargada, limpie, con una goma o borrador, los contactos de la batería y de la herramienta. Si aun así la herramienta no trabaja correctamente, regrésela, con el cargador y la batería, a un centro de servicio MILWAUKEE.

ADVERTENCIA Para reducir el riesgo de lesiones, descarga eléctrica o daño a la herramienta, nunca la sumerja en líquidos ni permita que estos fluyan dentro de la misma.

Limpeza

Limpie el polvo y suciedad de las cualquier ventilas. Mantenga los herramienta, limpios, secos y libres de aceite o grasa. Use solo jabón neutro y un trapo húmedo para limpiar, ya que algunos substancias y solventes limpiadores son dañinos a los plásticos y partes aislantes. Algunos de estos incluyen: gasolina, turpentina, thinner, lacas, thinner para pinturas, solventes para limpieza con cloro, amoníaco y detergentes caseros que tengan amonía. Nunca usa solventes inflamables o combustibles cerca de una herramienta.

Reparaciones

Si su herramienta, batería o cargador están dañados, envíela al centro de servicio autorizado más cercano.

ACCESORIOS

▲ ADVERTENCIA Utilice sólo los accesorios específicamente recomendados. Otros accesorios puede ser peligroso.

Para una lista completa de accesorios, visite nuestro sitio en Internet: www.milwaukeetool.com o póngase en contacto con un distribuidor.

SOPORTE DE SERVICIO - MEXICO

CENTRO DE ATENCION A CLIENTES

Techtronic Industries Mexico, S.A. de C.V.

Av. Presidente Masarik 29 Piso 7

11560 Polanco V Seccion

Miguel Hidalgo, Distrito Federal, México

01 (800) 030-7777 o (55) 4160-3540

Lunes a Viernes (9am a 6pm)

O contáctanos en www.milwaukeetool.com.mx

GARANTÍA LIMITADA - E.U.A. Y CANADÁ

Cada herramienta eléctrica* de MILWAUKEE (ver excepciones a continuación) está garantizada para el comprador original únicamente de que no tenga material y mano de obra defectuosos. Sujeto a ciertas excepciones, MILWAUKEE reparará o reemplazará cualquier parte en una herramienta eléctrica que tenga defectos de material o mano de obra según lo determine MILWAUKEE mediante una revisión, por un periodo de cinco (5) años** después de la fecha de compra a menos que se indique lo contrario. Al devolver la herramienta eléctrica a un Centro de Servicio de la fábrica de MILWAUKEE o a una Estación de Servicio Autorizada de MILWAUKEE, se requiere que el flete esté pagado por adelantado y asegurado. Se debe incluir una copia del comprobante de compra con el producto devuelto. Esta garantía no aplica a daños que MILWAUKEE determine que son ocasionados por reparaciones o intentos de reparaciones realizados por una persona que no sea personal autorizado de MILWAUKEE, uso indebido, alteraciones, maltrato, desgaste normal, falta de mantenimiento o accidentes. Desgaste normal: Muchas herramientas eléctricas necesitan un reemplazo periódico de partes y servicio para lograr el mejor desempeño. Esta garantía no cubre la reparación cuando el uso normal ha agotado la vida de una parte, incluyendo sin limitar a mandriles, cepillos, cables, zapatas de la sierra, abrazaderas de la hoja, anillos en O, sellos, protectores, hojas de desatornilladores, pistones, herrajes, levantadores y arandelas de cubierta de los protectores.

*Esta garantía no cubre clavadoras y grapadoras neumáticas, pistola de pintura a presión, baterías inalámbricas, generadores de energía portátil de gasolina, herramientas de mano, palanca y cadena de mano de polipasto - eléctricas, indumentaria calefactada M12™, producto reacondicionado y productos de prueba y medición. Existen garantías por separado y distintas disponibles para estos productos.

**El periodo de garantía para los radios para obra, puerto de energía M12™, fuente de poder M18™, ventiladores para obra y carretillas de trabajo industrial Trade Titan™ es de un (1) año a partir de la fecha de compra. El periodo de garantía para los M18 FUEL™ 1" llaves de impacto de alto torque con d en empuñadura, cables de limpieza de drenaje y AIRSNAKE™ los accesorios de pistola de aire de limpieza de drenaje, y los niveles láser mediante USB REDLITHIUM® es de dos (2) años a partir de la fecha de compra. El periodo de garantía de la pistola de calor compacta M18™, extractor de polvo de 8 galones, M18™ enmarcar clavadoras, M18 FUEL™ 1/2" yunque prolongado torque controlado llave de impacto con ONE-KEY™, M18 FUEL™ 1" llave de impacto de alto esfuerzo de torsión con ONE-KEY™, M18 FUEL™ de 7.6 L compacto compresor silencioso, los niveles láser M12™, detector láser de 19.8 m, clavadora M12™ 23GA, M18 FUEL™ 6.4 mm ribeteadora ciega con ONE-KEY™, y raspador de neumáticos de baja velocidad M12 FUEL™ es de tres (3) años a partir de la fecha de compra. El periodo de garantía de las lámparas de LED en la Lámpara de trabajo LED y el Bulbo mejorado de LED para la Luz de trabajo es por la vida del producto sujeto a las limitaciones anteriores. Si durante el uso normal el LED o Bulbo de LED falla, la parte será reemplazada sin cargo.

No se requiere el registro de la garantía para obtener la garantía correspondiente a un producto de herramienta eléctrica de MILWAUKEE. La fecha de manufactura del producto se utilizará para determinar el periodo de garantía si no se proporciona comprobante de compra al solicitar el servicio en garantía.

LA ACEPTACIÓN DE LOS REMEDIOS EXCLUSIVOS DE REPARACIÓN Y REEMPLAZO AQUÍ DESCRITOS ES UNA CONDICIÓN DEL CONTRATO PARA LA COMPRA DE TODO PRODUCTO DE MILWAUKEE. SI USTED NO ACEPTA ESTA CONDICIÓN, NO DEBE COMPRAR EL PRODUCTO. MILWAUKEE NO SERÁ RESPONSABLE EN NINGÚN CASO DE DAÑOS INCIDENTALES, ESPECIALES, EMERGENTES O PUNITIVOS NI DE NINGÚN COSTO, HONORARIOS LEGALES, GASTOS, PÉRDIDAS O DEMORAS ALEGADAS COMO CONSECUENCIA DE ALGÚN DAÑO, FALLA O DEFECTO EN NINGÚN PRODUCTO, INCLUYENDO ENTRE OTROS, RECLAMACIONES POR PÉRDIDA DE UTILIDADES. ALGUNOS ESTADOS NO PERMITEN LA EXCLUSIÓN O LIMITACIÓN DE RESPONSABILIDAD POR DAÑOS INCIDENTALES O EMERGENTES, POR LO QUE LA ANTERIOR LIMITACIÓN O EXCLUSIÓN PODRÍA NO APLICARSE EN SU CASO. ESTA GARANTÍA ES EXCLUSIVA Y REEMPLAZA TODAS LAS DEMÁS GARANTÍAS EXPRESAS, ESCRITAS U ORALES. EN LA MEDIDA EN QUE LO PERMITA LA LEY, MILWAUKEE DESCONOCE CUALQUIER GARANTÍA IMPLÍCITA, INCLUYENDO SIN LIMITACIÓN CUALQUIER GARANTÍA IMPLÍCITA DE COMERCIABILIDAD O IDONEIDAD PARA UN FIN O USO ESPECÍFICO; EN LA MEDIDA EN QUE DICHO DESCONOCIMIENTO NO SEA PERMITIDO POR LA LEY, DICHAS GARANTÍAS IMPLÍCITAS SE LIMITAN A LA DURACIÓN DE LA GARANTÍA EXPRESA CORRESPONDIENTE SEGÚN SE DESCRIBIÓ ANTERIORMENTE. ALGUNOS ESTADOS NO PERMITEN LIMITACIONES SOBRE LA DURACIÓN DE UNA GARANTÍA IMPLÍCITA, POR LO QUE LA ANTERIOR LIMITACIÓN PODRÍA NO APLICARSE A USTED. ESTA GARANTÍA LE DA DERECHOS LEGALES ESPECÍFICOS Y USTED PODRÍA ADEMÁS TENER OTROS DERECHOS QUE VARIAN DE UN ESTADO A OTRO. Esta garantía aplica al producto vendido en los Estados Unidos y Canadá únicamente.

Consulte la "Búsqueda de centro de servicio" en la sección de Partes y servicio del sitio web de MILWAUKEE en www.milwaukeetool.com o llame al 1.800.SAWDUST (1.800.729.3878) para localizar su centro de servicio más cercano para darle servicio con y sin garantía a una herramienta eléctrica de Milwaukee.

PÓLIZA DE GARANTÍA - VALIDA SOLO PARA MÉXICO, AMÉRICA CENTRAL Y EL CARIBE

La garantía de TECHTRONIC INDUSTRIES es por 5 años a partir de la fecha original de compra.

Esta tarjeta de garantía cubre cualquier defecto de material y mano de obra en ese Producto.

Para hacer válida esta garantía, presente esta tarjeta de garantía, cerrada/sellada por el distribuidor o la tienda donde compró el producto, al Centro de Servicio Autorizado (ASC). O, si esta tarjeta no se ha cerrado/sellado, presente la prueba original de compra a ASC.

Llame 55 4160-3547 para encontrar el ASC más cercano, para servicio, partes, accesorios o componentes.

Procedimiento para hacer válida esta garantía

Lleve el producto a ASC, junto con la tarjeta de garantía cerrada/sellada por el distribuidor o la tienda donde compró el producto, y cualquier pieza o componente defectuoso se reemplazará sin costo para usted. Cubriremos todos los costos de flete con relación a este proceso de garantía.

Excepciones

Esta garantía no tendrá validez en las siguientes situaciones:

- Quando el producto se use de manera distinta a la que indica el manual del usuario final o de instrucciones.
- Quando las condiciones de uso no sean normales.
- Quando otras personas no autorizadas por TECHTRONIC INDUSTRIES modifiquen o reparen el producto.

Nota: si el juego de cables está dañado, tiene que reemplazarse en un Centro de Servicio Autorizado para evitar riesgos eléctricos.

CENTRO DE SERVICIO Y ATENCIÓN

Llame al 55 4160-3547

IMPORTADO Y COMERCIALIZADO POR

TECHTRONIC INDUSTRIES, MÉXICO, S.A. DE C.V.

Miguel de Cervantes Saavedra No.301 Piso 5, Torre Norte

11520 Colonia Ampliación Granada

Miguel Hidalgo, Ciudad de Mexico, Mexico

Modelo: _____

Fecha de Compra: _____

Sello del Distribuidor: _____

MILWAUKEE TOOL
13135 West Lisbon Road
Brookfield, WI 53005 USA

58142643d3
02/21

961016007-03(A)
Printed in Vietnam