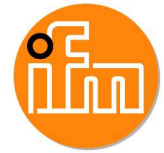
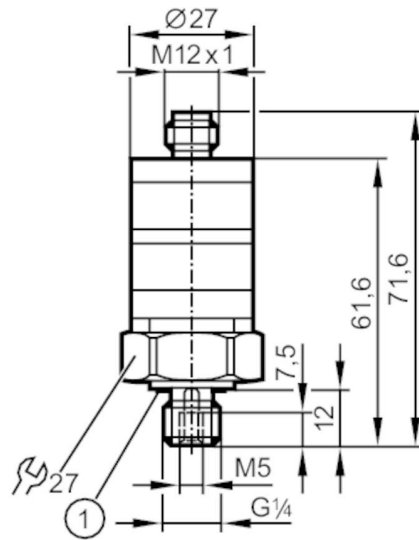


PK7521



Pressure switch with intuitive switch point setting

PK-250-SFG14-QSPKG/US/ IW



1 sealing



Product characteristics

| | | |
|------------------------------|---|--------------|
| Number of inputs and outputs | Number of digital outputs: 2 | |
| Measuring range | 0...250 bar | 0...3625 psi |
| Process connection | threaded connection G 1/4 external thread Internal thread: M5 | |

Application

| | | |
|-------------------------|-----------------------------|-----------|
| Application | for industrial applications | |
| Media | liquids and gases | |
| Medium temperature [°C] | -25...80 | |
| Min. bursting pressure | 1000 bar | 14500 psi |
| Pressure rating | 400 bar | 5800 psi |
| Type of pressure | relative pressure | |

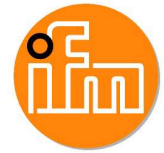
Electrical data

| | | |
|---------------------------------|-----------------|--|
| Operating voltage [V] | 9.6...32 DC | |
| Current consumption [mA] | < 25 | |
| Min. insulation resistance [MΩ] | 100; (500 V DC) | |
| Protection class | III | |
| Reverse polarity protection | yes | |

Inputs / outputs

| | | |
|------------------------------|------------------------------|--|
| Number of inputs and outputs | Number of digital outputs: 2 | |
|------------------------------|------------------------------|--|

PK7521

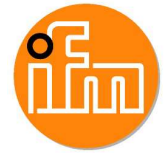


Pressure switch with intuitive switch point setting

PK-250-SFG14-QSPKG/US/ IW

| Outputs | | |
|--|--|---------------------|
| Total number of outputs | 2 | |
| Output signal | switching signal | |
| Electrical design | PNP | |
| Number of digital outputs | 2 | |
| Output function | normally open | |
| Max. voltage drop switching output DC [V] | 2 | |
| Permanent current rating of switching output DC [mA] | 500 | |
| Switching frequency DC [Hz] | 100 | |
| Short-circuit protection | yes | |
| Type of short-circuit protection | yes (non-latching) | |
| Overload protection | yes | |
| Measuring/setting range | | |
| Measuring range | 0...250 bar | 0...3625 psi |
| Set point SP | 7.5...250 bar | 109...3625 psi |
| Hysteresis | 5 bar | 72 psi |
| Accuracy / deviations | | |
| Switch point accuracy [% of the final value] | < ± 2,5; (Setting accuracy) | |
| Repeatability [% of the final value] | < ± 0,5; (with temperature fluctuations < 10 K) | |
| Characteristics deviation [% of the final value] | < ± 1,5 (BFSL) / < ± 2,5 (LS); (BFSL = Best Fit Straight Line; LS = limit value setting) | |
| Temperature drift per 10 K | < ± 0.5 | |
| Software / programming | | |
| Adjustment of the switch point | setting rings | |
| Operating conditions | | |
| Ambient temperature [°C] | -25...80 | |
| Storage temperature [°C] | -40...100 | |
| Protection | IP 67 | |
| Tests / approvals | | |
| EMC | DIN EN 61000-6-2 | |
| | DIN EN 61000-6-3 | |
| Shock resistance | DIN IEC 68-2-27 | 50 g (11 ms) |
| Vibration resistance | DIN IEC 68-2-6 | 20 g (10...2000 Hz) |
| MTTF [years] | 500 | |
| Pressure equipment directive | sound engineering practice; can be used for group 2 fluids; group 1 fluids on request | |

PK7521



Pressure switch with intuitive switch point setting

PK-250-SFG14-QSPKG/US/ IW

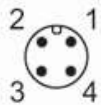
| Mechanical data | |
|-------------------------------|--|
| Weight [g] | 94.5 |
| Material | PBT; PC; FKM; stainless steel (1.4404 / 316L) |
| Materials (wetted parts) | stainless steel (1.4404 / 316L); FKM |
| Min. pressure cycles | 50 million |
| Tightening torque [Nm] | 25 |
| Process connection | threaded connection G 1/4 external thread Internal thread:M5 |
| Restrictor element integrated | no (can be retrofitted) |

| Displays / operating elements | | |
|-------------------------------|------------------|-----------------|
| Display | Switching status | 2 x LED, yellow |
| With scale | yes | |

| Remarks | |
|---------------|--------|
| Pack quantity | 1 pcs. |

Electrical connection

Connector: 1 x M12; coding: A



Connection

