



MODEL 468

ANSI VOLTAGE TRANSFORMERS

KEY FEATURES

- Frequency
60Hz, 50Hz available
- Secondary voltage
120 V standard
- Insulation level 600 volts
10 kV BIL full wave
- Accuracy class
+/- 0.6% up to 7.5VA
And +/- 1.5% 20VA burden
- Thermal rating 75VA
at 30°C, 50VA at 55°C
- ANSI C57.13 group 1
- Approximate weight
4.0 lbs

TE Connectivity's (TE) Crompton Instruments Model 468 is part of the range of ANSI voltage transformers that provides cost-effective and accurate conversion of the primary voltage. The extensive portfolio measures a wide range of primary voltages with option fuse configurations.

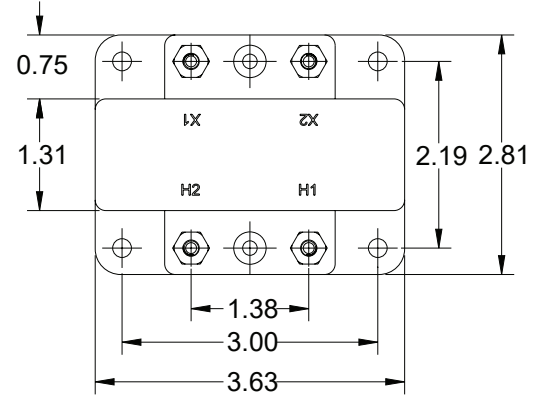
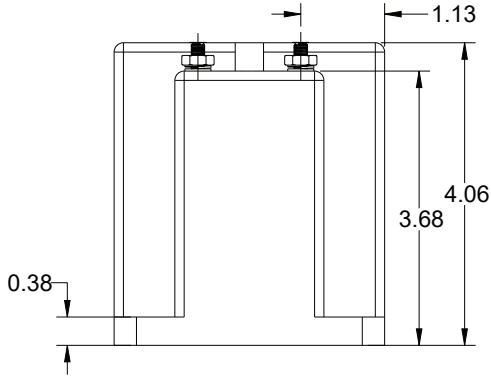
The Model 468 ANSI voltage transformer core and coil are encased in a thermoplastic shell and filled with resin. Supplied with two plastic terminal covers, these transformers are designed for operation line to line. They may be operated line to ground or line to neutral at reduced voltage (58% of rated voltage).

It is recommended that an 0.8 A BBS fuse be fitted on the secondary of the transformer for protection. These transformers as ANSI C57.13 group 1 (except 468-480 and 468-600 which are group 2). Transformers can be designed for 50Hz operation with reduced performance.

Terminals are number 10-32 brass studs. They can be fitted with a lock washer, a flat washer, and a regular nut.

Customers can count on consistent, high quality products, driven by TE's proven innovation and backed by our extraordinary customer support.

Model 468 Voltage Transformers



Model 468 approximate weight: 4 lbs

PRODUCT SELECTION INFORMATION

Catalogue Number not Fused	Voltage Rating	Turns Ratio	Rec. Primary Fuse Rating	ANSI C57.13 Group
468-069	69.3:120	0.58:1	3.00	1
468-120	120:120	1:1	2.00	1
468-208	208:120	1.73:1	1.00	1
468-240	240:120	2:1	1.00	1
468-277	277:120	2.31:1	1.00	1
468-288	288:120	2.4:1	0.75	1
468-300	300:120	2.5:1	0.75	1
468-346	346:120	2.88:1	0.75	1
468-480	480:120	4:1	0.50	2
468-600	600:120	5:1	0.40	2

te.com/energy

© 2021 TE Connectivity. All Rights Reserved. EPP-3743-DDS-03/21-EN

TE Connectivity, TE connectivity (logo), EVERY CONNECTION COUNTS, AMP, AMPACT, Bowthorpe EMP, Crompton Instruments, Raychem, SIMEL, UTILUX are trademarks. Other logos, product and Company names mentioned herein may be trademarks of their respective owners. While TE has made every reasonable effort to ensure the accuracy of the information in this brochure, TE does not guarantee that it is error-free, nor does TE make any other representation, warranty or guarantee that the information is accurate, correct, reliable or current. TE reserves the right to make any adjustments to the information contained herein at any time without notice. TE expressly disclaims all implied warranties regarding the information contained herein, including, but not limited to, any implied warranties of merchantability or fitness for a particular purpose. The dimensions in this brochure are for reference purposes only and are subject to change without notice. Specifications are subject to change without notice. Consult TE for the latest dimensions and design specifications.

FOR MORE INFORMATION: TE Technical Support Centers

USA/Canada:	+1 800-327-6996
Brazil:	+55 11-2103-6023
Mexico:	+52 55-1106-0800
South America:	+57 1-319-8962
Benelux:	+32 16-508-695
France:	+33 (0) 38-058-3210
Germany/Switzerland:	+49 (0) 89-608-9903
Italy:	+39 335-834-3453
Middle East/Africa:	+971 4-211-7020
Russia:	+7 495-790-790-2-200
Spain/Portugal:	+34 912-681-885
UK:	+44 08708-707-500
China:	+86 400-820-6015