




Drawer cabinet/container

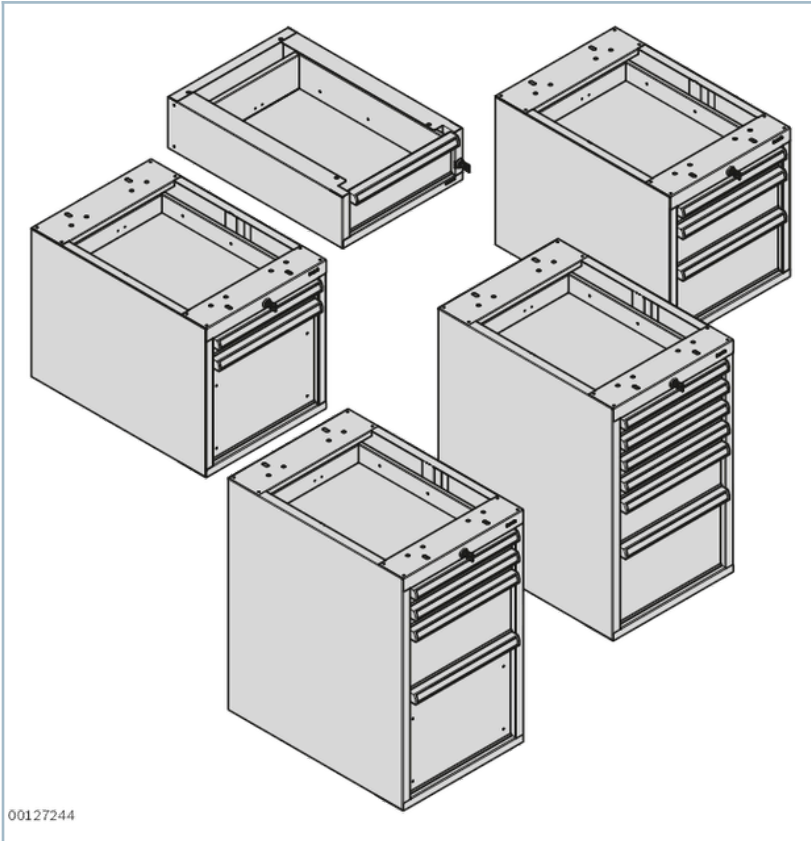


- Quiet, easy-closing drawer with ball bearing; automatic closing
- Ergonomic aluminum handle bar with label field

 Assembly instructions

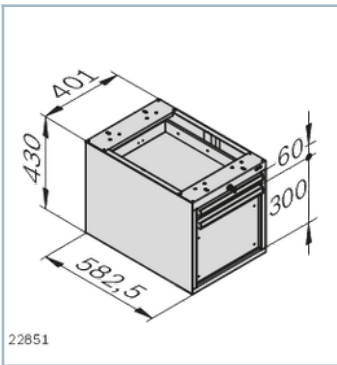
- Drawers can be locked centrally
- Permissible load
 - Per drawer: 350 N
 - Total per drawer cabinet: 850 N
- Available as ESD-conductive version
- Mounting (suspended):
 - On the table frame
 - On the table top

Product description

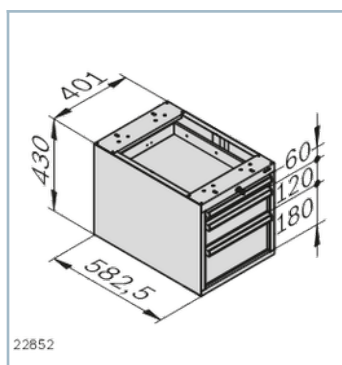


Dimensions

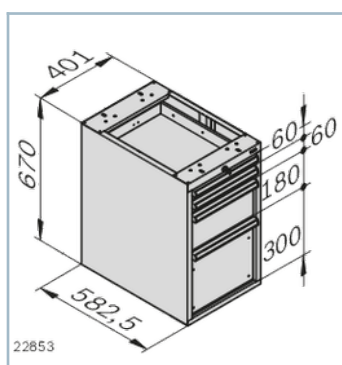
Drawer cabinet, two drawers



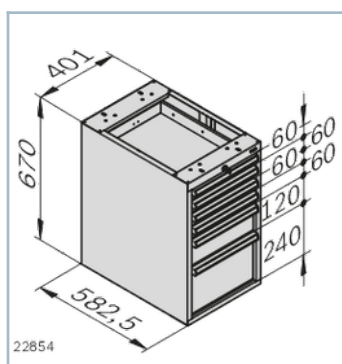
Drawer cabinet, three drawers



Container, four drawers




Container, six drawers



Accessories







Drawer cabinet/container accessories

 Assembly instructions

- Cover for container
- Casters for container
- Drawer insert

Ordering codes

	ESD	No.
Drawer cabinet, two drawers		3842546534
Drawer cabinet, two drawers ESD		3842546538
Drawer cabinet, three drawers		3842546535
Drawer cabinet, three drawers ESD		3842546539
Container, four drawers ESD		3842546540
Container, four drawers		3842547886
Container, six drawers		3842547887
Container, six drawers, ESD		3842563229