

## Spring Pull

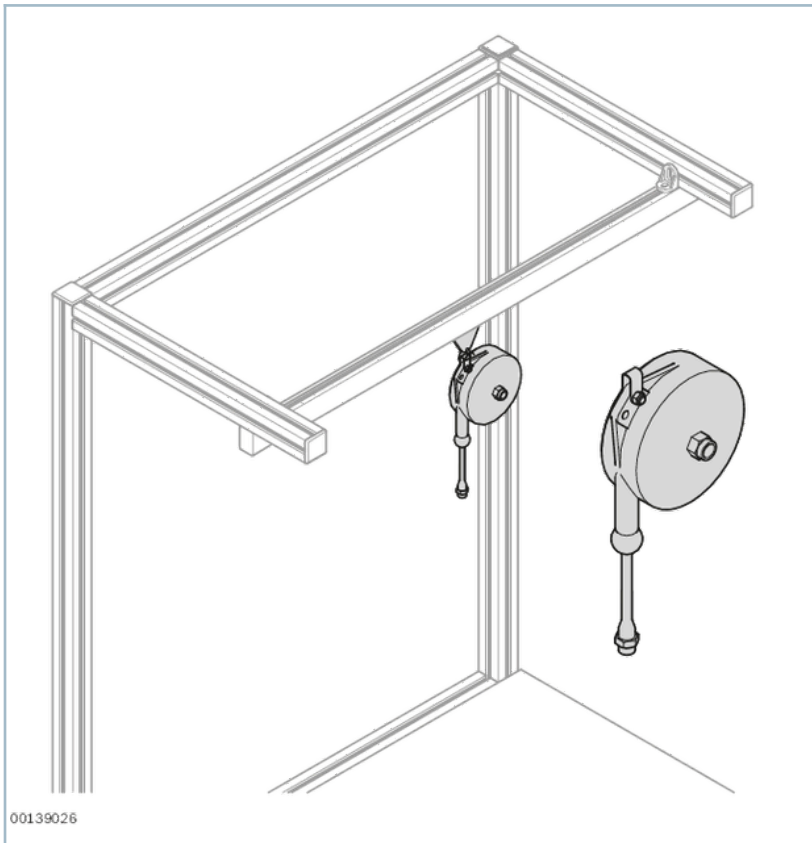


- Spring pull for the ergonomic supply of tools, e.g. screwdrivers, to reduce uneven and high strain on workers
- Spring pull with retractable cable for the ergonomic supply of air-powered tools, e.g. pneumatic screwdrivers, to reduce uneven and high strain on workers

- The bearing load and cable length are adjustable
- Assembly at workstation with hanger and trolley or slide hanger
- Spring pull with retractable cable
- Compressed air supplied via air bar
- Compressed air connection for feed line and tool connection: G1/4"

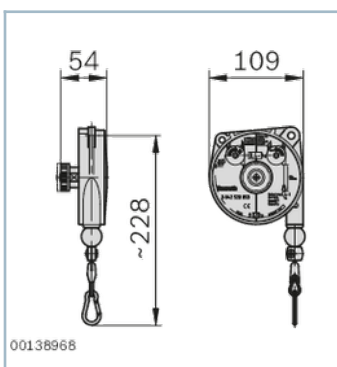
## Product description

### Hanger spring pull



## Dimensions

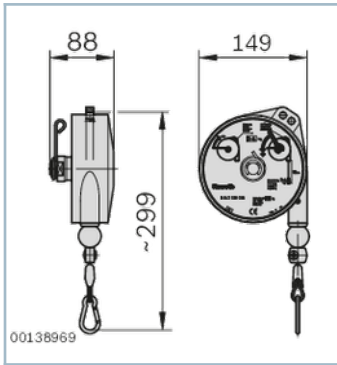
Spring pull for load-bearing capacities of between 0.4 and 2.0 kg



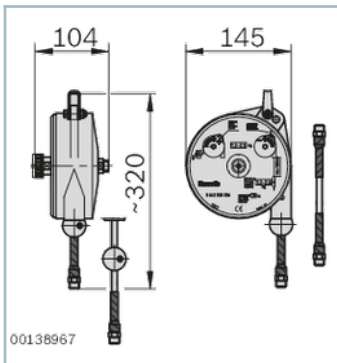
Ordering parameter with configurable material number

		3842520053	3842520054	3842520055	3842520056
--	--	------------	------------	------------	------------

Spring pull for load-bearing capacities of between 2.0 and 4.0 kg



Spring pull with retractable cable



## Ordering codes

	Bearing load	Mass	Retractable cable	No.	CAD
	kg	kg	mm		
Spring pulls, 0.4 -1.0	0,4 ... 1,0	0.6	1600	3842520053	
Spring pulls, 1.0 -2.0	1,0 ... 2,0	0.6	1600	3842520054	
Spring pull for load-bearing capacities of between 2.0 and 4.0 kg	2,0 ... 4,0	2	2000	3842520055	
Spring pull with retractable cable	1,2 ... 2,5	1.4	1350	3842520056	