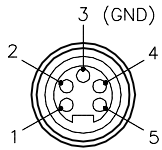
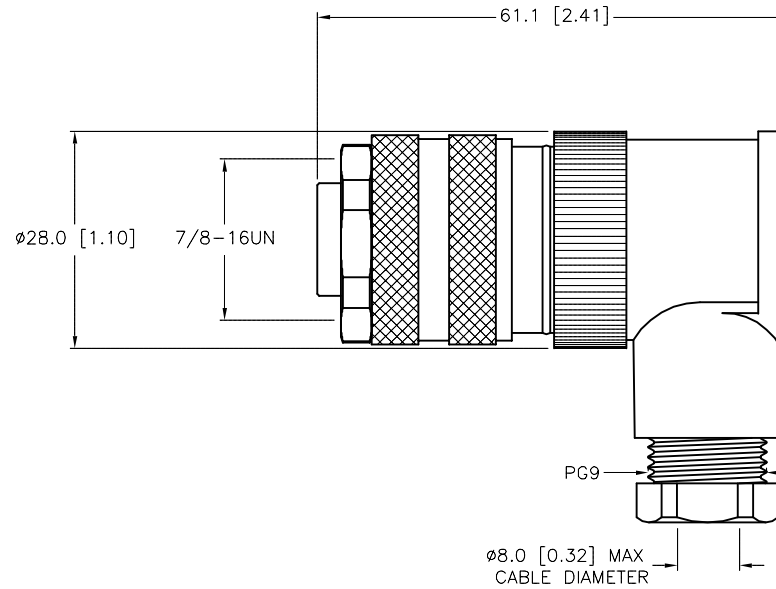
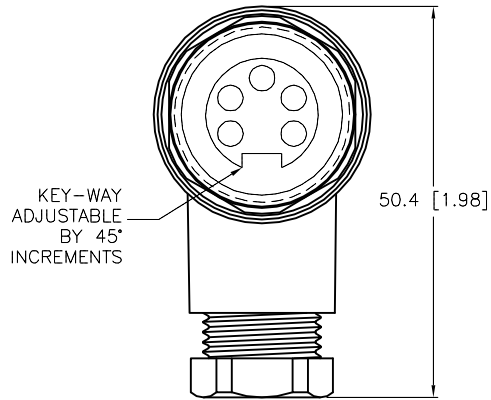


FEMALE END VIEW



SPECIFICATIONS

HOUSING MATERIAL/COLOR	NYLON or PBT/BLACK
CONTACT MATERIAL/PLATING	BRASS/GOLD
COUPLING NUT MATERIAL/PLATING	DIECAST ZINC/NICKEL
RATED CURRENT [A]	9.0 A
RATED VOLTAGE [V]	600 V
MAXIMUM WIRE SIZE	16 AWG
TERMINATION METHOD	SCREW TERMINAL
CABLE GRIP RANGE	PG9 = 6-8mm
TEMPERATURE RATING	-40°C to +85°C (-40°F to +185°F)
PROTECTION CLASS	MEETS NEMA 1,3,4,6P AND IEC IP67



SOURCE DRAWING - FOR REFERENCE ONLY

FIELD WIREABLE MINIFAST RIGHT-ANGLE CONNECTOR

RELATED DOCUMENTS		3RD ANGLE PROJECTION		THIS DRAWING IS CONFIDENTIAL AND THE PROPERTY OF TURCK INC. USE OF THIS DOCUMENT WITHOUT WRITTEN PERMISSION IS PROHIBITED.		TURCK INC High Technology Sensors and Automation Controls 3000 CAMPUS DRIVE MINNEAPOLIS, MN 55441 1-800-544-7769 (763) 553-7300 (763) 553-0708 fax turck.com	
1.			ALL DIMENSIONS DISPLAYED ON THIS DRAWING ARE FOR REFERENCE ONLY	DRFT	JB	DATE	07/17/00
2.				APVD		SCALE	1=1.0
3.		UNIT OF MEASUREMENT		MILLIMETER [INCH]		IDENTIFICATION NO.	U6417-01
4.		CONTACT TURCK FOR MORE INFORMATION		DO NOT SCALE THIS DRAWING		REV	B
MATERIAL		SEE SPECIFICATIONS		SEE SPECIFICATIONS		FILE: U6417-01	SHEET 1 OF 1

B	UPDATE RATED VOLTAGE	RDS	05/20/14	45918
REV	DESCRIPTION	BY	DATE	ECO NO.