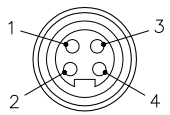
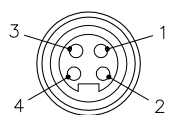
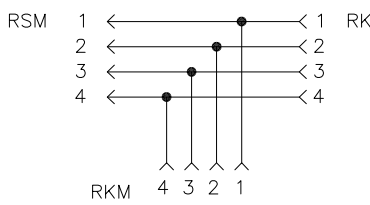
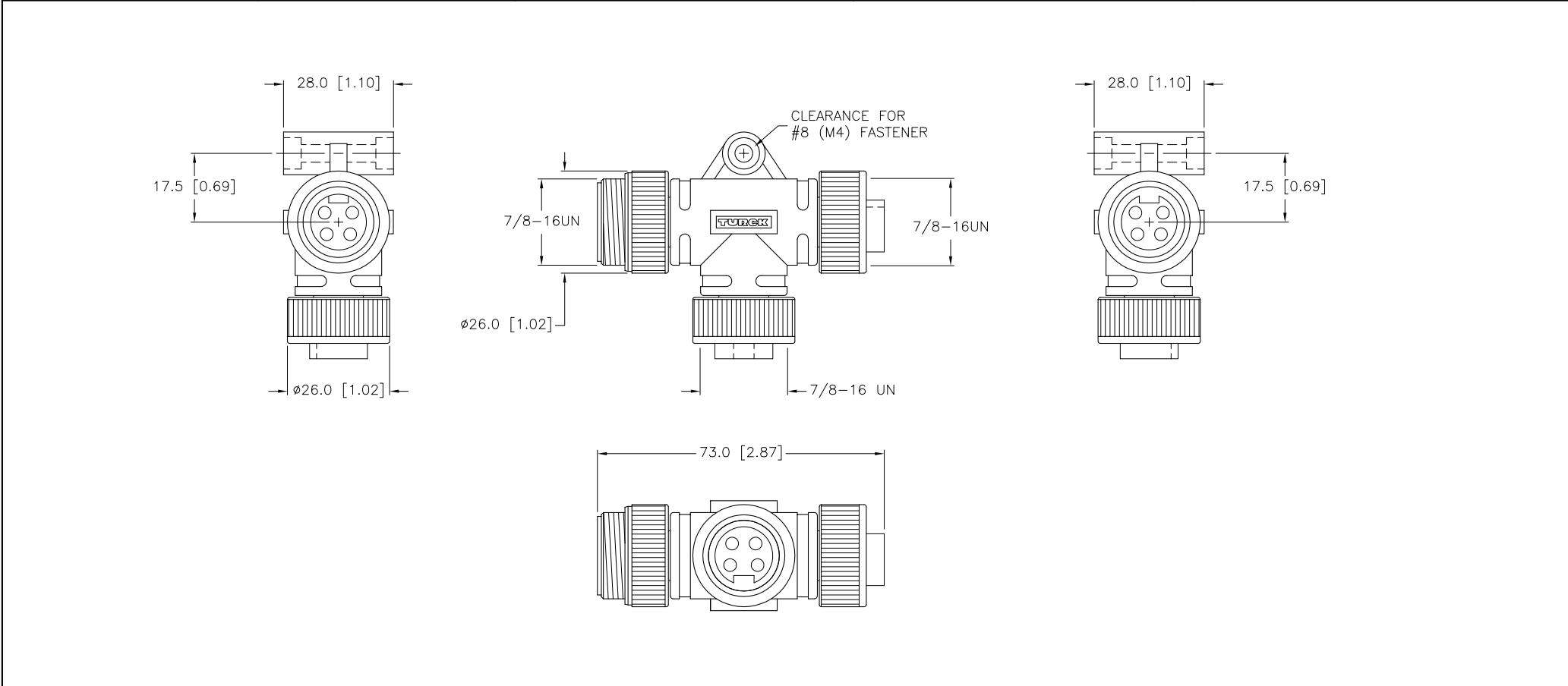
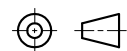


MALE END VIEW	FEMALE END VIEW	WIRING DIAGRAM	SPECIFICATIONS	
			CONTACT CARRIER MATERIAL/COLOR	TPU/YELLOW
			MOLDED HEAD MATERIAL/COLOR	TPU/YELLOW
			CONTACT MATERIAL/PLATING	BRASS/GOLD
			COUPLING NUT MATERIAL/PLATING	BRASS/NICKEL
			RATED CURRENT [A]	9.0 A
			RATED VOLTAGE [V]	250 V
			TEMPERATURE RATING	-40°C TO +80°C (-40°F TO +176°F)
			PROTECTION CLASS	MEETS NEMA 1,3,4,6P AND IEC IP67



SOURCE DRAWING - FOR REFERENCE ONLY

RELATED DOCUMENTS 1. 2. 3. 4.		3RD ANGLE PROJECTION 	THIS DRAWING IS PROPERTY OF TURCK INC. USE OF THIS DOCUMENT WITHOUT WRITTEN PERMISSION IS PROHIBITED.	3000 CAMPUS DRIVE MINNEAPOLIS, MN 55441 1-800-544-7769 (763) 553-7300 (763) 553-0708 fax turck.com	
MATERIAL SEE SPECIFICATIONS	FINISH SEE SPECIFICATIONS	ALL DIMENSIONS DISPLAYED ON THIS DRAWING ARE FOR REFERENCE ONLY	CONTACT TURCK FOR MORE INFORMATION	DRFT IK DSGN	DATE 04/07/99 SCALE 1=1.5 DESCRIPTION RSM-2RKM 40
UNIT OF MEASUREMENT MILLIMETER [INCH]				IDENTIFICATION NO. U0140	REV D
D DRAWING PROCESSED AS PART OF ECO 33971	CBM 04/07/11 33971	DO NOT SCALE THIS DRAWING		FILE: U0140	SHEET 1 OF 1