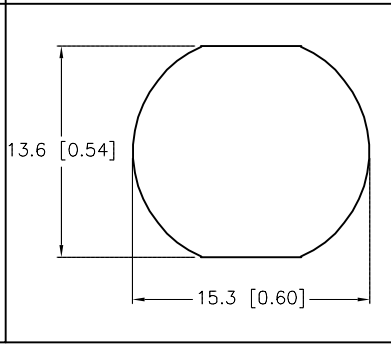
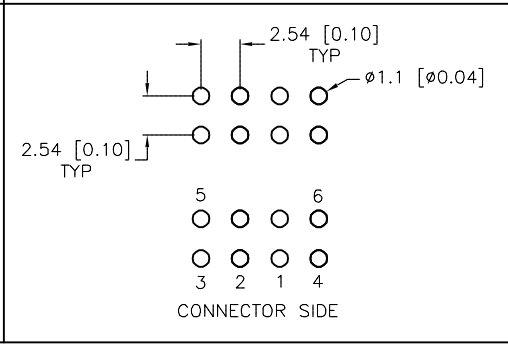
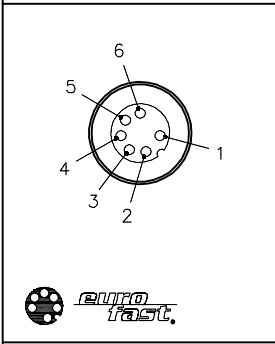


FEMALE END VIEW

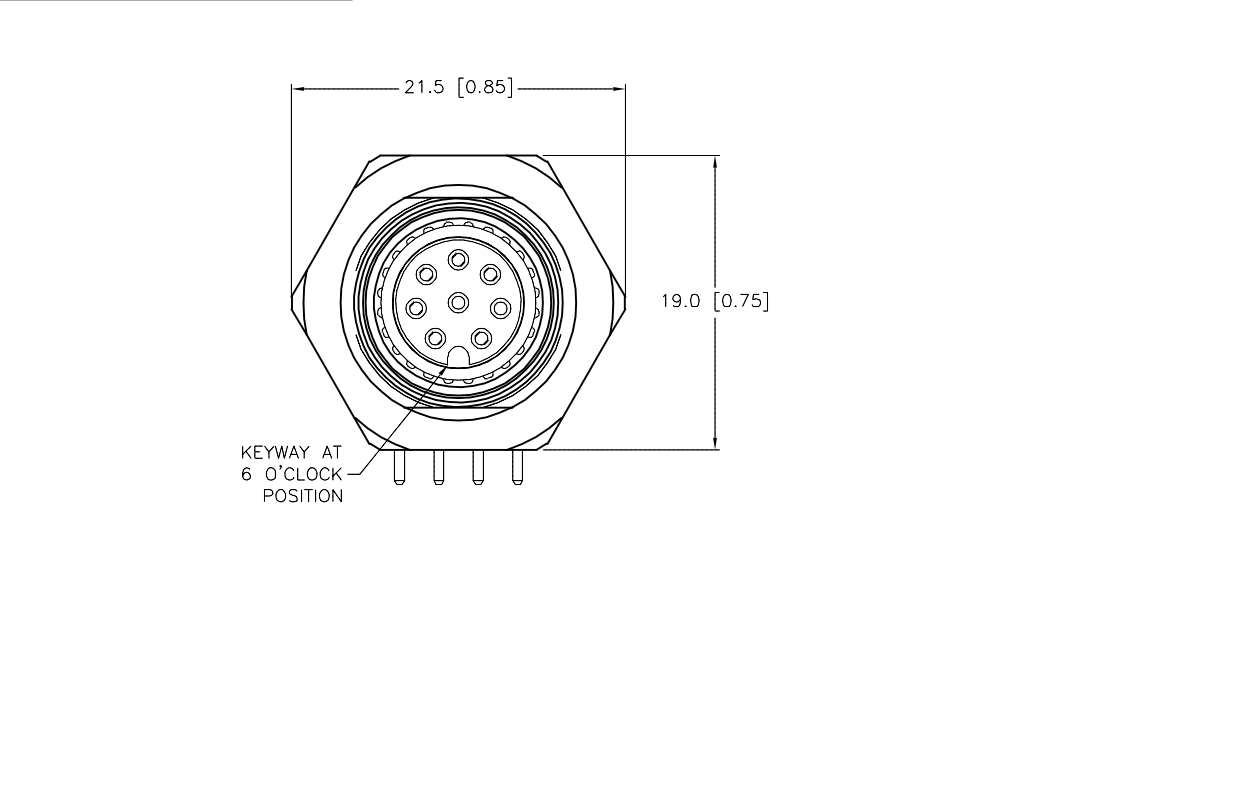
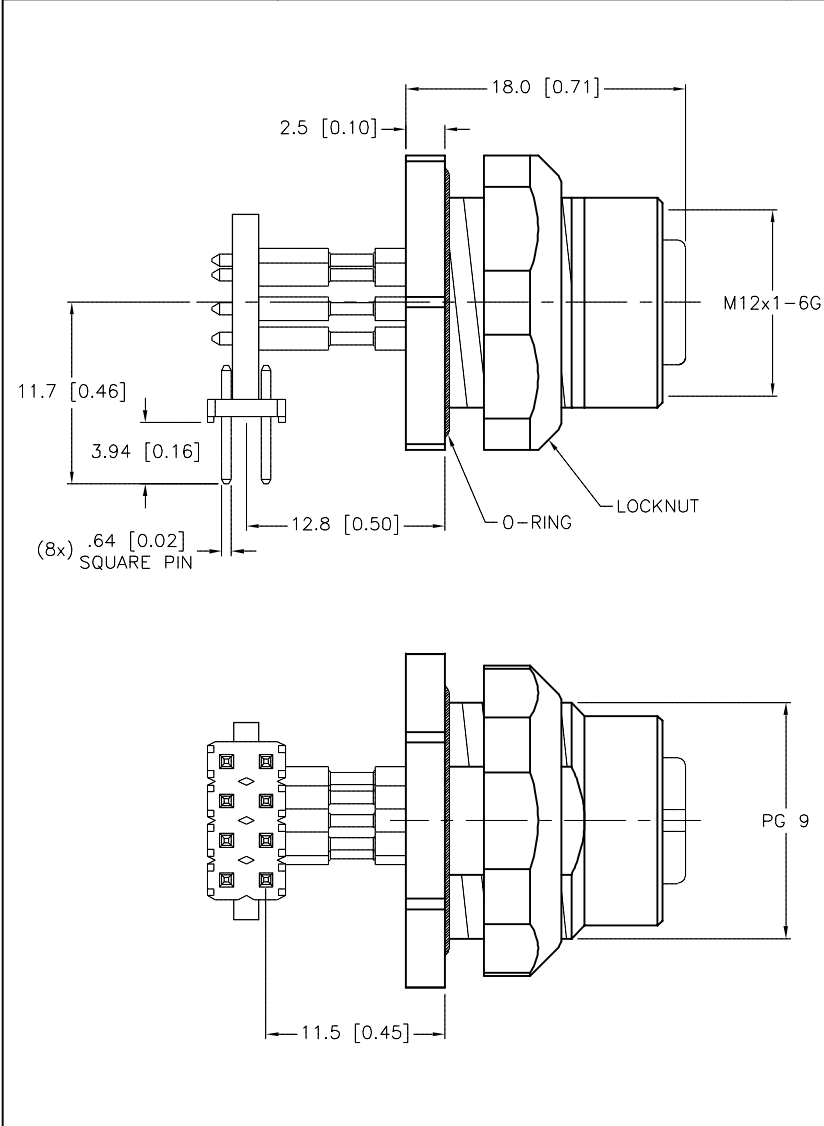
BOARD LAYOUT

TYPICAL PANEL CUTOUT

SPECIFICATIONS



CONTACT CARRIER MATERIAL/COLOR	PA 6 NYLON/BLACK
CONTACT MATERIAL/PLATING	BRASS/GOLD
HOUSING MATERIAL/PLATING	BRASS/NICKEL
LOCKNUT MATERIAL/PLATING	BRASS/NICKEL
RATED CURRENT [A]	2.0 A
RATED VOLTAGE [V]	60 VAC/75 VDC
TERMINAL PIN MATERIAL	PHOSPHOR BRONZE
TEMPERATURE RATING	-40°C to +90°C (-40°F to +194°F)
PROTECTION CLASS	MEETS NEMA 1,3,4,6,13 AND IEC IP67
MAX. PANEL THICKNESS	3.0 [0.12]



SOURCE DRAWING - FOR REFERENCE ONLY

RELATED DOCUMENTS 1. 2. 3. 4.	3RD ANGLE PROJECTION 	THIS DRAWING IS CONFIDENTIAL AND THE PROPERTY OF TURCK INC. USE OF THIS DOCUMENT WITHOUT WRITTEN PERMISSION IS PROHIBITED.		3000 CAMPUS DRIVE MINNEAPOLIS, MN 55441 1-800-544-7769 (763) 553-7300 (763) 553-0708 fax www.turck.us	
		DRFT	RWC	DATE	08/31/05
MATERIAL SEE SPECIFICATIONS	ALL DIMENSIONS DISPLAYED ON THIS DRAWING ARE FOR REFERENCE ONLY	APVD		SCALE	1=.5
FINISH SEE SPECIFICATIONS		CONTACT TURCK FOR MORE INFORMATION	UNIT OF MEASUREMENT MILLIMETER [INCH]		IDENTIFICATION NO. U2-05700
DO NOT SCALE THIS DRAWING		FILE: U2-05700		SHEET 1 OF 1	

D	UPDATE END VIEW PER ECO	TR	07/30/18	66217
REV	DESCRIPTION	BY	DATE	ECO NO.