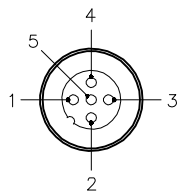
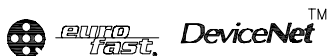
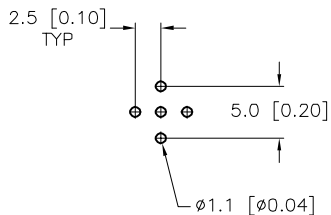


MALE END VIEW

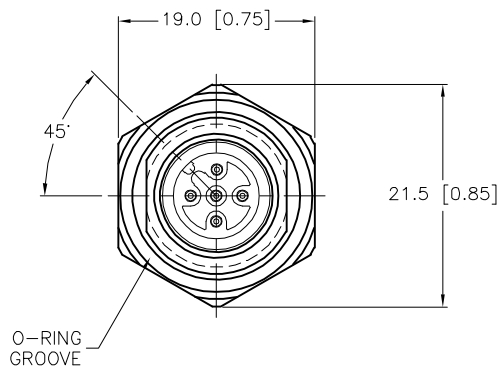
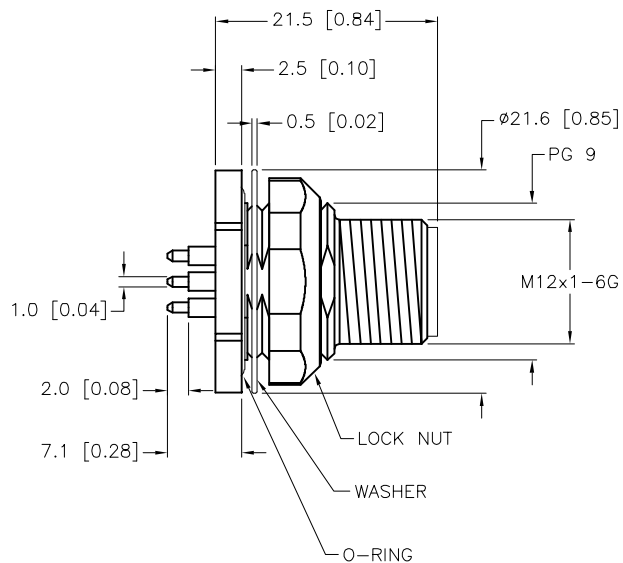


BOARD LAYOUT

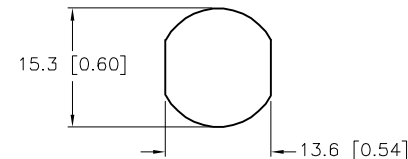


SPECIFICATIONS

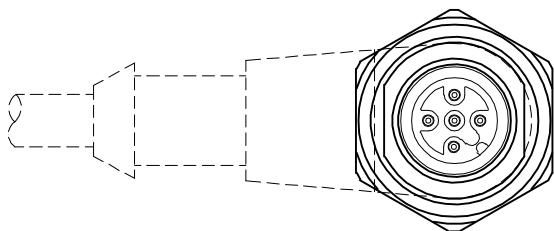
CONTACT CARRIER MATERIAL	NYLON OR TPU
CONTACT MATERIAL/PLATING	BRASS/GOLD
HOUSING, LOCKNUT MATERIAL/PLATING	BRASS/NICKEL
O-RING MATERIAL	NITRILE
RATED CURRENT [A]	4.0 A
RATED VOLTAGE [V]	250 V
TEMPERATURE RATING	-40°C to +90°C (-40°F to +194°F)
PROTECTION CLASS	MEETS NEMA 1,3,4,6P AND IEC IP67
MAX. PANEL THICKNESS	3.0 [0.12]



END VIEW  
LOCK NUT AND WASHER  
NOT SHOWN



MOUNTING HOLE



ORIENTATION OF RIGHT ANGLE CONNECTOR

SOURCE DRAWING - FOR REFERENCE ONLY

RELATED DOCUMENTS		3RD ANGLE PROJECTION		THIS DRAWING IS CONFIDENTIAL AND THE PROPERTY OF TURCK INC. USE OF THIS DOCUMENT WITHOUT WRITTEN PERMISSION IS PROHIBITED.		3000 CAMPUS DRIVE MINNEAPOLIS, MN 55441 1-800-544-7769 (763) 553-7300 (763) 553-0708 fax www.turck.us	
1. 2. 3. 4.				DRFT DWF DATE 03/08/99 APVD DWF SCALE 1=0.8		DESCRIPTION FSFD 57-PCB/S	
MATERIAL		ALL DIMENSIONS DISPLAYED ON THIS DRAWING ARE FOR REFERENCE ONLY		UNIT OF MEASUREMENT <b>MILLIMETER [ INCH ]</b>		IDENTIFICATION NO. U5118-57	
FINISH		CONTACT TURCK FOR MORE INFORMATION		DO NOT SCALE THIS DRAWING		REV F	
F DRAWING PROCESSED AS PART OF ECO 33971		CBM 04/07/11 33971		FILE: U5118-57		SHEET 1 OF 1	
REV DESCRIPTION		BY DATE ECO NO.					