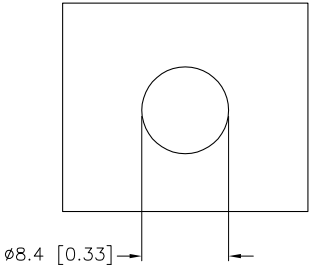
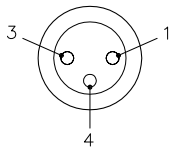
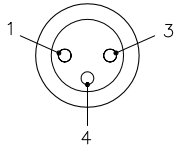


FEMALE END VIEW

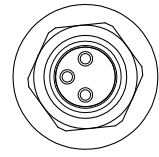
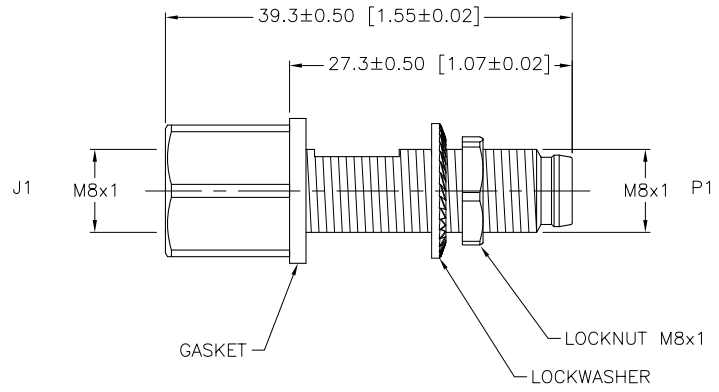
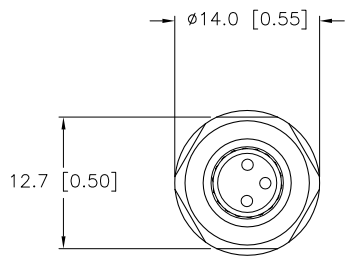
MALE END VIEW

PANEL CUT-OUT

SPECIFICATIONS



CONTACT CARRIER MATERIAL/COLOR	NYLON OR TPU/BLK (J1), CLEAR (P1)
CONTACT MATERIAL/PLATING	BRASS/GOLD
HOUSING MATERIAL/FINISH	316 STAINLESS STEEL/PASSIVATED
RATED CURRENT [A]	4.0 A
RATED VOLTAGE [V]	125 V
TEMPERATURE RANGE	-40°C to +80°C (-40°F to +176°F)
PROTECTION CLASS	MEETS NEMA 1,3,4,6P AND IEC IP67
GASKET MATERIAL	RUBBER



SOURCE DRAWING - FOR REFERENCE ONLY

RELATED DOCUMENTS	3RD ANGLE PROJECTION	THIS DRAWING IS PROPERTY OF TURCK INC. USE OF THIS DOCUMENT WITHOUT WRITTEN PERMISSION IS PROHIBITED.	3000 CAMPUS DRIVE MINNEAPOLIS, MN 55441 1-800-544-7769 (763) 553-7300 (763) 553-0708 fax turck.com	
1. 2. 3. 4.			DRFT RDS	DATE 10/16/07
MATERIAL	ALL DIMENSIONS DISPLAYED ON THIS DRAWING ARE FOR REFERENCE ONLY	UNIT OF MEASUREMENT MILLIMETER [INCH]	DSGN	SCALE 1=.8
SEE SPECIFICATIONS			IDENTIFICATION NO. U2-12391	
FINISH	CONTACT TURCK FOR MORE INFORMATION	DO NOT SCALE THIS DRAWING	REV B	
SEE SPECIFICATIONS			FILE: U2-12391	SHEET 1 OF 1

B	DRAWING PROCESSED AS PART OF ECO 33971	CBM	04/07/11	33971
REV	DESCRIPTION	BY	DATE	ECO NO.