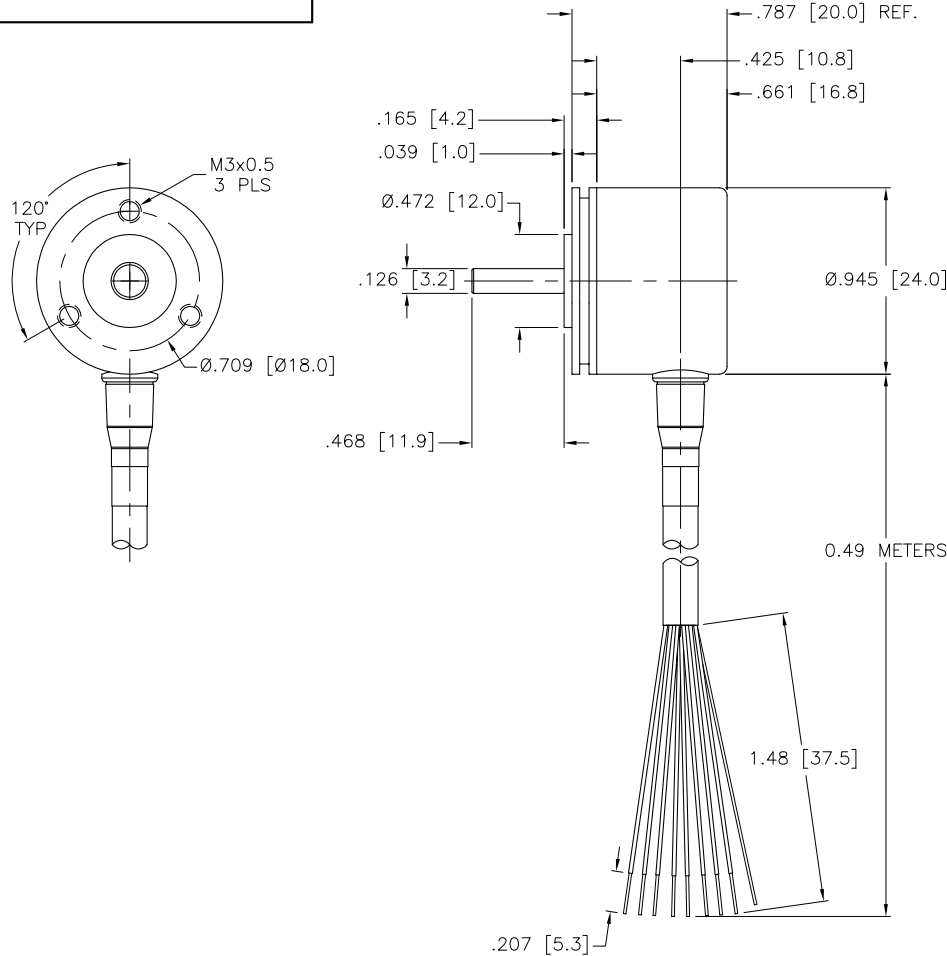
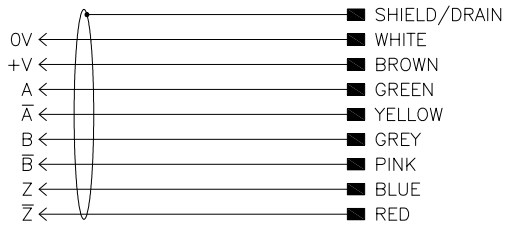


WIRING DIAGRAM



SPECIFICATIONS

INPUT/OUTPUT	5-24 VDC PUSH-PULL
OUTPUT SIGNALS	DIFFERENTIAL (COMPLEMENTS)
POWER CONSUMPTION MAX.	50 mA
CIRCUIT PROTECTION	YES
SPEED	12,000 RPM MAX.
OPERATING FREQUENCY	160 kHz MAX.
SHAFT LOAD	4 lbs. (17 N) RADIAL 4 lbs. (17 N) AXIAL
OPERATING TEMPERATURE	-40°C to +90°C (-40°F to +194°F)
WEIGHT	2.12 oz. (0.06 kg)
SHOCK/VIBRATION	1000 m/s <sup>2</sup> , 6 ms per DIN-IEC 68-2-27
HOUSING MATERIALS	ALUMINUM CHROMIUM PLATED
SHAFT MATERIALS	316 STAINLESS STEEL
PROTECTION	IP 64, IP 67 AT CABLE EXIT PER EN60529
STARTING TORQUE	.014 in./oz. (<0.001 Nm)
PULSE RATE	250 PPR

SOURCE DRAWING - FOR REFERENCE ONLY

RELATED DOCUMENTS 1. 2. 3. 4.	3RD ANGLE PROJECTION 	THIS DRAWING IS PROPERTY OF TURCK INC. USE OF THIS DOCUMENT WITHOUT WRITTEN PERMISSION IS PROHIBITED.		3000 CAMPUS DRIVE MINNEAPOLIS, MN 55441 1-800-544-7769 (763) 553-7300 (763) 553-0708 fax turck.com	
	MATERIAL  SEE SPECIFICATIONS	ALL DIMENSIONS DISPLAYED ON THIS DRAWING ARE FOR REFERENCE ONLY	DRFT JBJ DATE 10/20/03	DESCRIPTION T5.2400.1020.0250.5027	
	FINISH  SEE SPECIFICATIONS		DSGN SCALE 1=1.0	IDENTIFICATION NO. K180574	
	CONTACT TURCK FOR MORE INFORMATION		UNIT OF MEASUREMENT <b>INCH [ MILLIMETER ]</b>		REV A

A	DRAWING RELEASE	RDS	07/07/08	
REV	DESCRIPTION	BY	DATE	ECO NO.

DO NOT SCALE THIS DRAWING

FILE: K180574

SHEET 1 OF 1