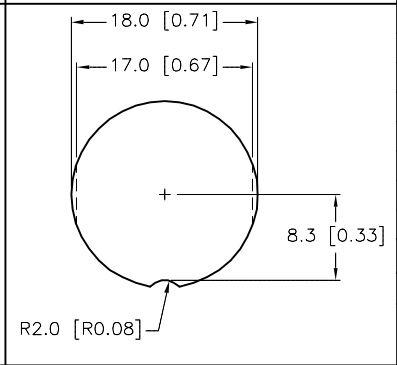
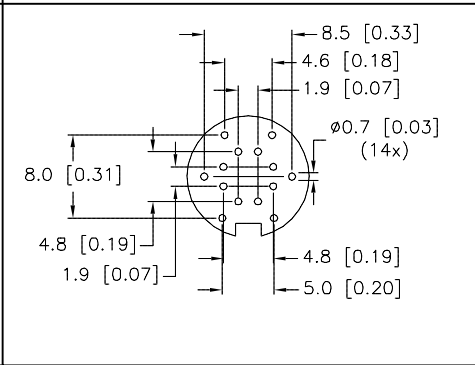
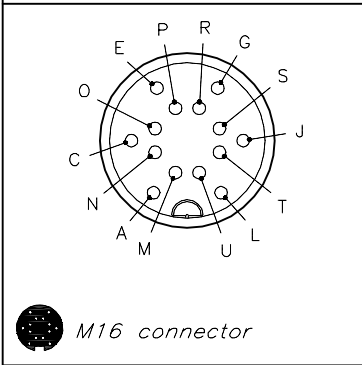


MALE END VIEW

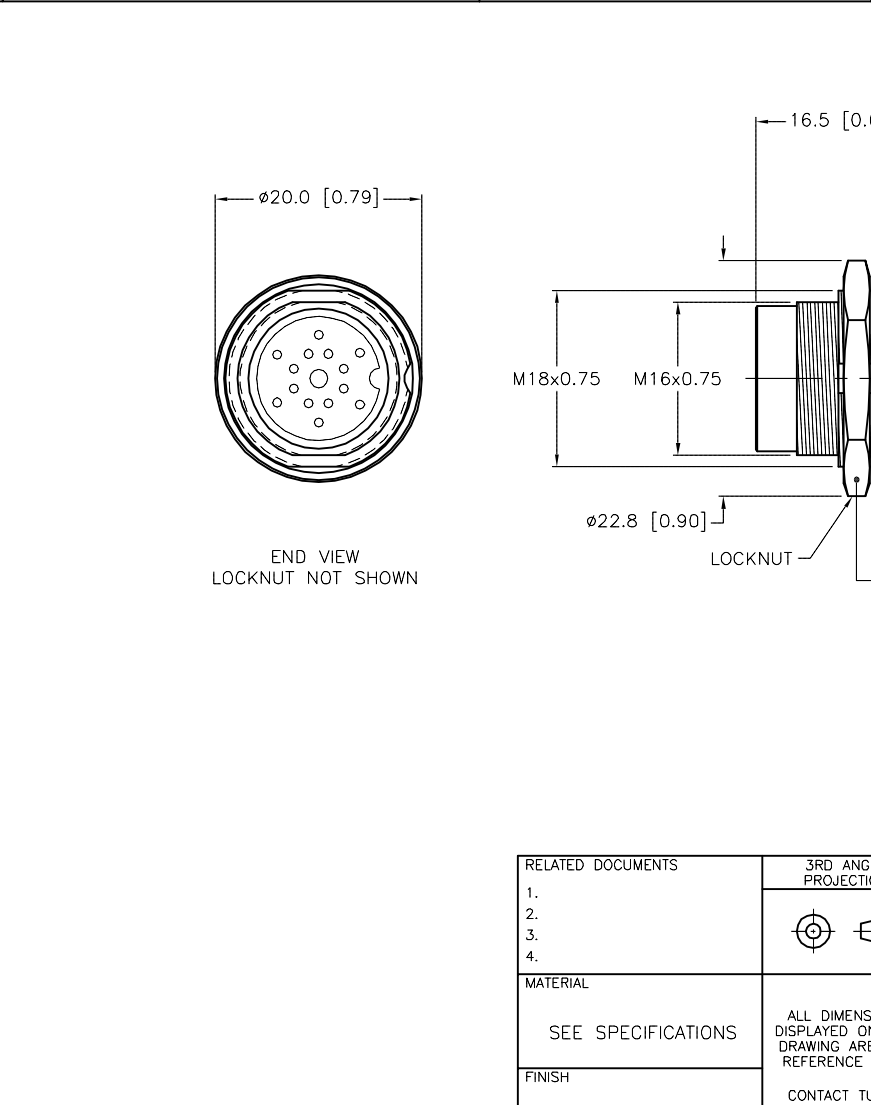
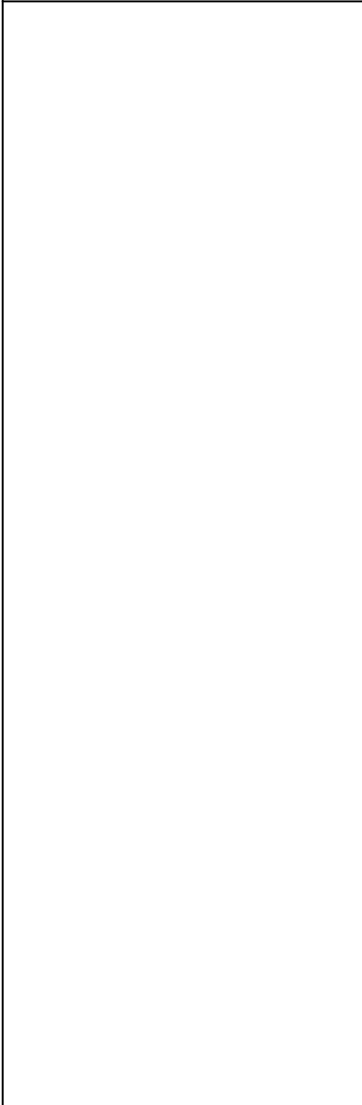
PCB BOARD LAYOUT

PANEL CUTOUT

SPECIFICATIONS



CONTACT CARRIER MATERIAL	TPU
CONTACT MATERIAL/PLATING	BRASS/GOLD
HOUSING. LOCKNUT MATERIAL/PLATING	BRASS/NICKEL
O-RING MATERIAL	NBR 70
RATED CURRENT [A]	3.0 A
RATED VOLTAGE [V]	60 V AC/DC
NUMBER OF CONDUCTORS [AWG]	PCB PINS
TEMPERATURE RANGE	-30°C to +80°C (-22°F to +176°F)
PROTECTION CLASS	MEETS IEC IP67
MAXIMUM PANEL THICKNESS	4.0 [0.16]



SOURCE DRAWING - FOR REFERENCE ONLY

RELATED DOCUMENTS 1. 2. 3. 4.	3RD ANGLE PROJECTION 	THIS DRAWING IS CONFIDENTIAL AND THE PROPERTY OF TURCK INC. USE OF THIS DOCUMENT WITHOUT WRITTEN PERMISSION IS PROHIBITED.		3000 CAMPUS DRIVE MINNEAPOLIS, MN 55441 1-800-544-7769 (763) 553-7300 (763) 553-0708 fax www.turck.us	
		DRFT JBJ DATE 01/21/04	DESCRIPTION BSFD 14-PCB		REV B
MATERIAL SEE SPECIFICATIONS	ALL DIMENSIONS DISPLAYED ON THIS DRAWING ARE FOR REFERENCE ONLY	APVD	SCALE 1=.7	IDENTIFICATION NO. U0930-07	
FINISH SEE SPECIFICATIONS		UNIT OF MEASUREMENT MILLIMETER [INCH]		FILE: U0930-07	

B	UPDATE CONTACT CARRIER MATERIAL	KMY	02/19/13	41344
REV	DESCRIPTION	BY	DATE	ECO NO.