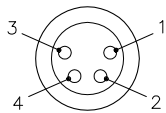
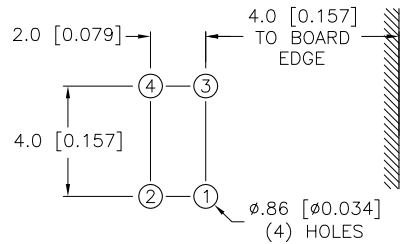


MALE END VIEW

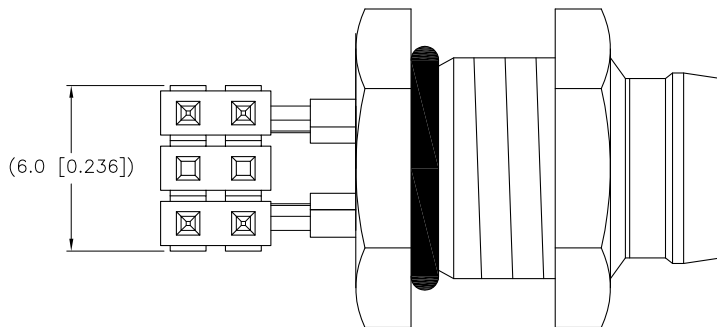
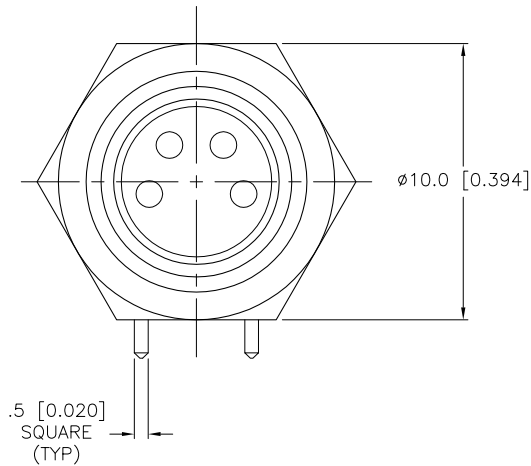
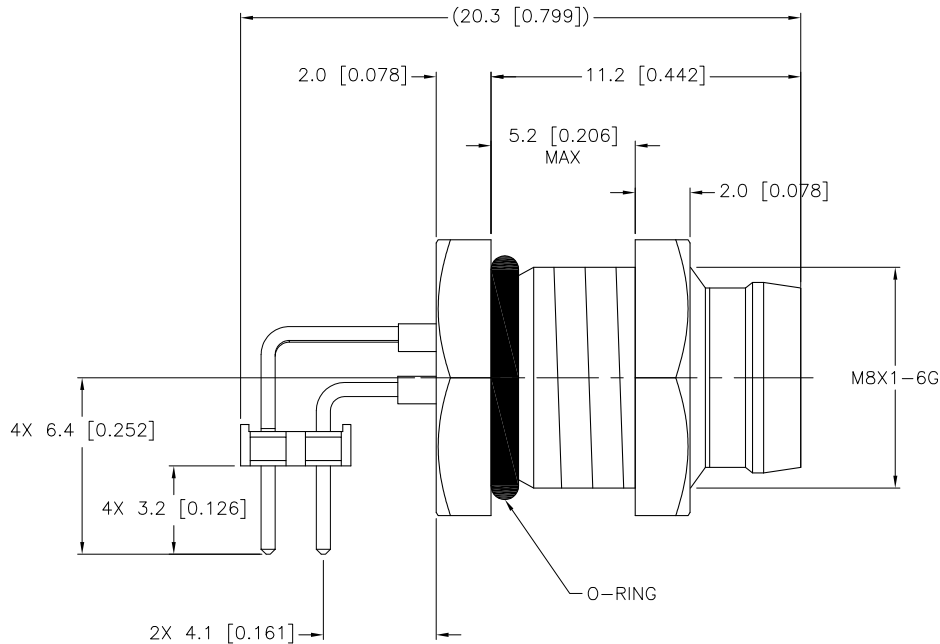


PIN-OUT DIAGRAM



SPECIFICATIONS

CONTACT CARRIER MATERIAL/COLOR	NYLON/BLACK
CONTACT MATERIAL/PLATING	BRASS/GOLD
HOUSING MATERIAL/PLATING	BRASS/NICKEL
NUMBER OF CONTACTS	4 x 0.025 IN SQ. POSTS
RATED CURRENT [A]	2.0 A
RATED VOLTAGE [V]	36 VDC
TEMPERATURE RANGE	-30°C to +105°C (-22°F to +221°F)
MAXIMUM PCB THICKNESS	1.6 MM [0.06 IN]
PROTECTION CLASS	MEETS NEMA 1,3,4,6P AND IEC IP67



SOURCE DRAWING - FOR REFERENCE ONLY

RELATED DOCUMENTS 1. 8-164-02 revP2 2. 3. 4.	3RD ANGLE PROJECTION 	THIS DRAWING IS CONFIDENTIAL AND THE PROPERTY OF TURCK INC. USE OF THIS DOCUMENT WITHOUT WRITTEN PERMISSION IS PROHIBITED.	3000 CAMPUS DRIVE MINNEAPOLIS, MN 55441 1-800-544-7769 (763) 553-7300 (763) 553-0708 fax turck.com	
		DRFT RDS DATE 12/17/02 DSGN GC SCALE 4=1	DESCRIPTION WMFS 4F-PCB	
MATERIAL	ALL DIMENSIONS DISPLAYED ON THIS DRAWING ARE FOR REFERENCE ONLY	UNIT OF MEASUREMENT MILLIMETER [INCH]	IDENTIFICATION NO. U0902-44	
FINISH		CONTACT TURCK FOR MORE INFORMATION	REV E	
E UPDATE CURRENT AND TEMP SPECS RDS 09/16/11 36501		DO NOT SCALE THIS DRAWING	FILE: U0902-44 SHEET 1 OF 1	
REV	DESCRIPTION	BY	DATE	ECO NO.