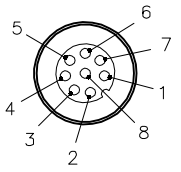
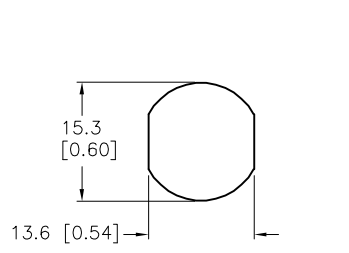


FEMALE END VIEW

TYPICAL PANEL CUTOUT

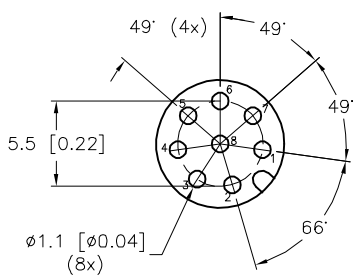


- 1 = WHITE/BLUE
- 2 = WHITE/BROWN
- 3 = BROWN
- 4 = ORANGE (-TX)
- 5 = WHITE/GREEN (+RX)
- 6 = WHITE/ORANGE (+TX)
- 7 = BLUE
- 8 = GREEN (-RX)

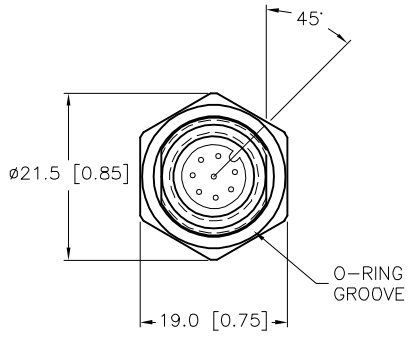


SPECIFICATIONS

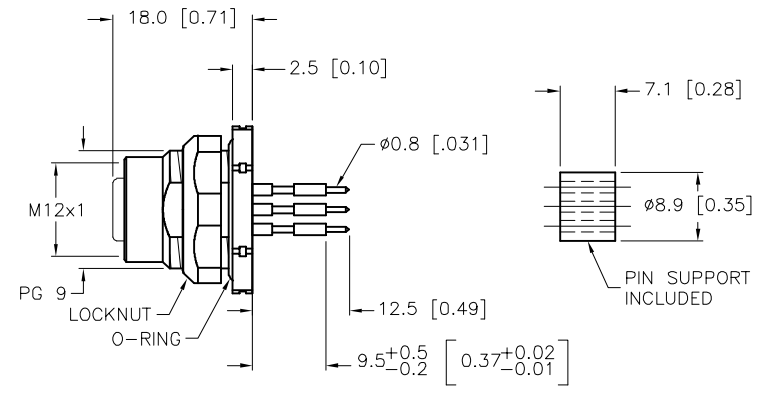
CONTACT CARRIER MATERIAL	NYLON OR TPU
CONTACT MATERIAL/PLATING	BRASS/GOLD
HOUSING/LOCKNUT MATERIAL/PLATING	BRASS/NICKEL
O-RING MATERIAL	NITRILE
RATED CURRENT [A]	1.5 A
RATED VOLTAGE [V]	60 VAC/75 VDC
NUMBER OF CONDUCTORS [AWG]	PRINTED CIRCUIT PINS
TEMPERATURE RATING	-40°C TO +80°C (-40°F TO +176°F)
PROTECTION CLASS	MEETS NEMA 1,3,4,6P AND IEC IP68
MAX. PANEL THICKNESS	3.0 [0.12]



BOARD LAYOUT (2=1 SCALE)



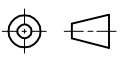
END VIEW
LOCKNUT NOT SHOWN



RELATED DOCUMENTS

- 1.
- 2.
- 3.
- 4.

3RD ANGLE PROJECTION



THIS DRAWING IS CONFIDENTIAL AND THE PROPERTY OF TURCK INC. USE OF THIS DOCUMENT WITHOUT WRITTEN PERMISSION IS PROHIBITED.



3000 CAMPUS DRIVE
MINNEAPOLIS, MN 55441
1-800-544-7769
(763) 553-7300
(763) 553-0708 fax
www.turck.us

MATERIAL	DRFT RDS	DATE 01/03/02	DESCRIPTION
FINISH	APVD	SCALE 1=1.0	FKFD 84
	UNIT OF MEASUREMENT MILLIMETER [INCH]		

ALL DIMENSIONS DISPLAYED ON THIS DRAWING ARE FOR REFERENCE ONLY

CONTACT TURCK FOR MORE INFORMATION

IDENTIFICATION NO.	REV
U8611	

I	NOTATE THE KEYWAY POSITION IS 45° FROM THE MOUNTING FLAT.	RDS	04/25/22	77572
REV	DESCRIPTION	BY	DATE	ECO NO.

DO NOT SCALE THIS DRAWING