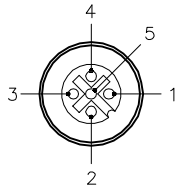
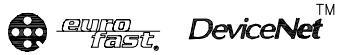


FEMALE END VIEW

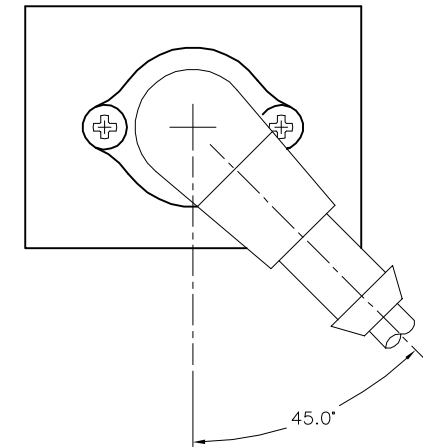
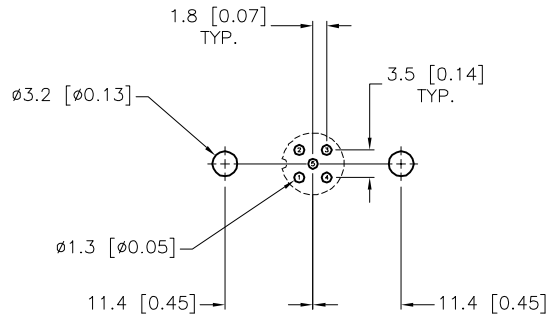
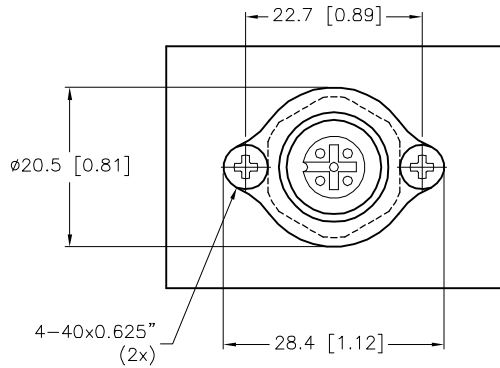


- 1 = SHIELD
- 2 = + VOLTAGE
- 3 = - VOLTAGE
- 4 = CAN_H
- 5 = CAN_L



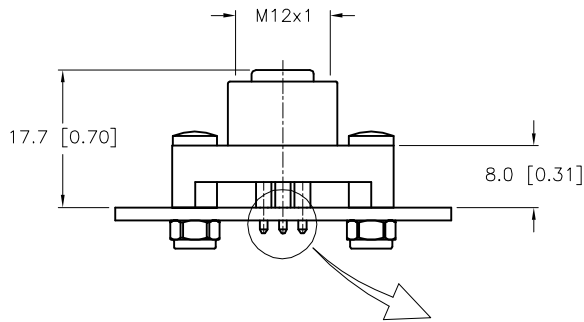
SPECIFICATIONS

CONTACT CARRIER MATERIAL/COLOR	NYLON/BLACK
CONTACT MATERIAL/PLATING	BRASS/GOLD
RATED CURRENT [A]	4.0 A
RATED VOLTAGE [V]	250 V
HOUSING MATERIAL/PLATING	BRASS/NICKEL
CONDUCTORS	PCB PINS
TEMPERATURE RATING	-40°C to +90°C (-40°F to +194°F)
PROTECTION CLASS	MEETS NEMA 1,3,4,6,13 AND IEC IP67

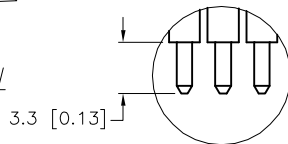


BOARD LAYOUT
SCALE 1=1

RIGHT ANGLE
CONNECTOR ORIENTATION



DIMENSIONAL VIEW



NOTES:

- FOR OTHER RIGHT ANGLE CONNECTOR ORIENTATIONS, ROTATE BOARD LAYOUT TO DESIRED ORIENTATION OR ROTATE 5-HOLE PINOUT IN INCREMENTS OF 60°.

SOURCE DRAWING - FOR REFERENCE ONLY

<p>RELATED DOCUMENTS</p> <ol style="list-style-type: none"> 9-RDV-155 		<p>3RD ANGLE PROJECTION</p>		<p>THIS DRAWING IS CONFIDENTIAL AND THE PROPERTY OF TURCK INC. USE OF THIS DOCUMENT WITHOUT WRITTEN PERMISSION IS PROHIBITED.</p>		<p>3000 CAMPUS DRIVE MINNEAPOLIS, MN 55441 1-800-544-7769 (763) 553-7300 (763) 553-0708 fax www.turck.us</p>	
<p>MATERIAL</p>		<p>DRFT DF</p> <p>APVD DF</p>		<p>DATE 03/22/00</p> <p>SCALE 1=.5</p>		<p>DESCRIPTION</p> <p>FK 57-PCB KIT/100</p>	
<p>FINISH</p>		<p>UNIT OF MEASUREMENT</p> <p>MILLIMETER [INCH]</p>		<p>IDENTIFICATION NO.</p> <p>U7274-100</p>		<p>REV</p> <p>B</p>	
<p>DO NOT SCALE THIS DRAWING</p>		<p>CONTACT TURCK FOR MORE INFORMATION</p>		<p>FILE: U7274-100</p>		<p>SHEET 1 OF 1</p>	

B	CONVERT DRAWING TO TURCK FORMAT	CBM	08/30/04	11884
REV	DESCRIPTION	BY	DATE	ECO NO.