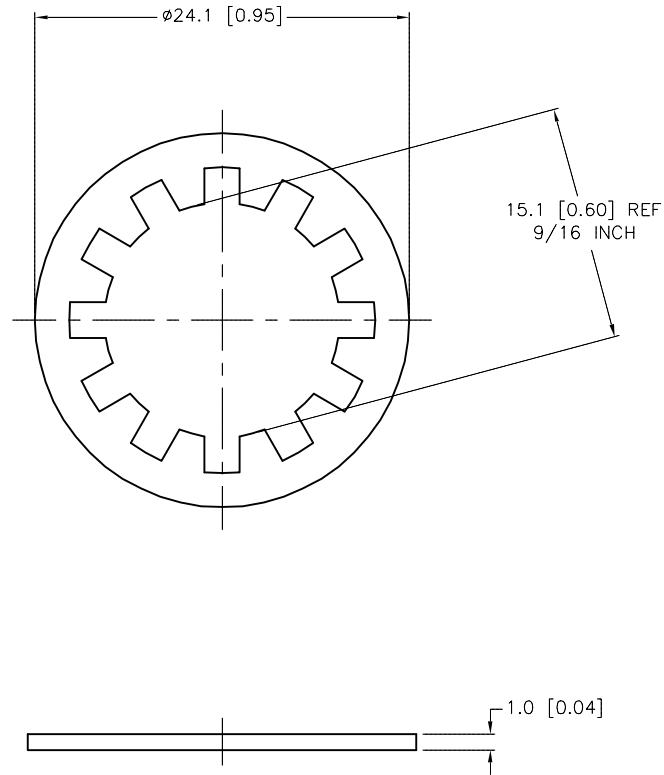


SPECIFICATIONS

WASHER MATERIAL/PLATING

BRASS/ZINC PLATE



SOURCE DRAWING - FOR REFERENCE ONLY

RELATED DOCUMENTS		3RD ANGLE PROJECTION		THIS DRAWING IS CONFIDENTIAL AND THE PROPERTY OF TURCK INC. USE OF THIS DOCUMENT WITHOUT WRITTEN PERMISSION IS PROHIBITED.		3000 CAMPUS DRIVE MINNEAPOLIS, MN 55441 1-800-544-7769 (763) 553-7300 (763) 553-0708 fax www.turck.us	
1. 2. 3. 4.				DRFT RWC		DATE 07/01/09	
MATERIAL		ALL DIMENSIONS DISPLAYED ON THIS DRAWING ARE FOR REFERENCE ONLY		DSGN		SCALE 1=.5	
SEE SPECIFICATIONS		CONTACT TURCK FOR MORE INFORMATION		UNIT OF MEASUREMENT		DESCRIPTION	
FINISH		MILLIMETER [ INCH ]		DO NOT SCALE THIS DRAWING		LW-9/16 (10/BAG)	
SEE SPECIFICATIONS		A9571		IDENTIFICATION NO.		REV	
A DRAWING RELEASE		RWC 07/06/09		FILE: A9571		A	
REV DESCRIPTION		BY DATE ECO NO.		SHEET 1 OF 1			

A	DRAWING RELEASE	RWC	07/06/09	
REV	DESCRIPTION	BY	DATE	ECO NO.