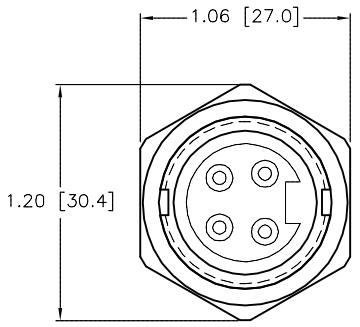
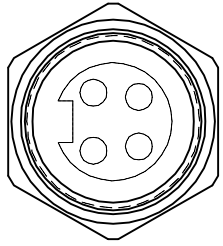
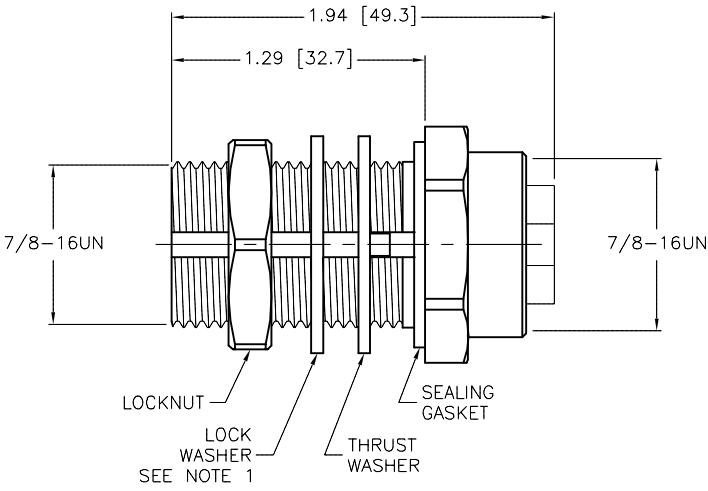


SPECIFICATIONS	
CONTACT CARRIER MATERIAL	TPU
CONTACT MATERIAL/PLATING	BRASS/GOLD
HOUSING MATERIAL/PLATING	BRASS/NICKEL
RATED CURRENT [A]	9.0 A
RATED VOLTAGE [V]	600 V
TEMPERATURE RATING	-40°C to +105°C (-40°F to +221°F)
PROTECTION CLASS	MEETS NEMA 1,3,4 AND IEC IP67
ACCOMODATES WALL THICKNESS	.040" (1.0 mm) to .875" (22.2 mm)
GASKET MATERIAL	NITRILE



LOCKNUT AND WASHERS NOT SHOWN FOR CLARITY



SOURCE DRAWING - FOR REFERENCE ONLY

NOTE(S):  
1. LOCK WASHER TO BE INSTALLED ON THREADS AS SHOWN.

RELATED DOCUMENTS	3RD ANGLE PROJECTION	THIS DRAWING IS CONFIDENTIAL AND THE PROPERTY OF TURCK INC. USE OF THIS DOCUMENT WITHOUT WRITTEN PERMISSION IS PROHIBITED.	
1. 2. 3. 4.			
MATERIAL SEE SPECIFICATIONS	ALL DIMENSIONS DISPLAYED ON THIS DRAWING ARE FOR REFERENCE ONLY	DRFT IK	DATE 7/21/98
FINISH SEE SPECIFICATIONS		APVD	SCALE 1=1.0
	CONTACT TURCK FOR MORE INFORMATION	UNIT OF MEASUREMENT <b>INCH [ MILLIMETER ]</b>	

DESCRIPTION	RSF RKF 40/22
IDENTIFICATION NO.	U2309-47
REV	D

		3000 CAMPUS DRIVE MINNEAPOLIS, MN 55441 1-800-544-7769 (763) 553-7300 (763) 553-0708 fax www.turck.us	
DO NOT SCALE THIS DRAWING		FILE: U2309-47	SHEET 1 OF 1

D	DRAWING PROCESSED AS PART OF ECO 38872	KMY	05/10/12	38872
REV	DESCRIPTION	BY	DATE	ECO NO.