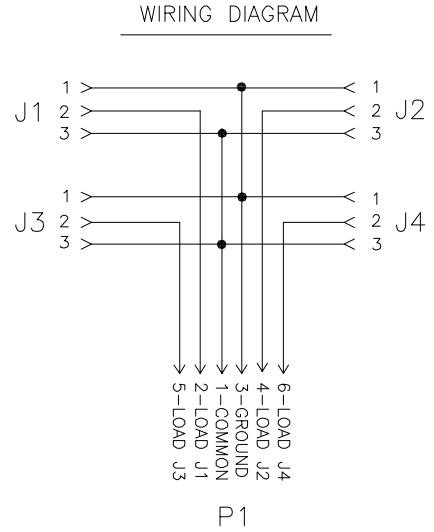
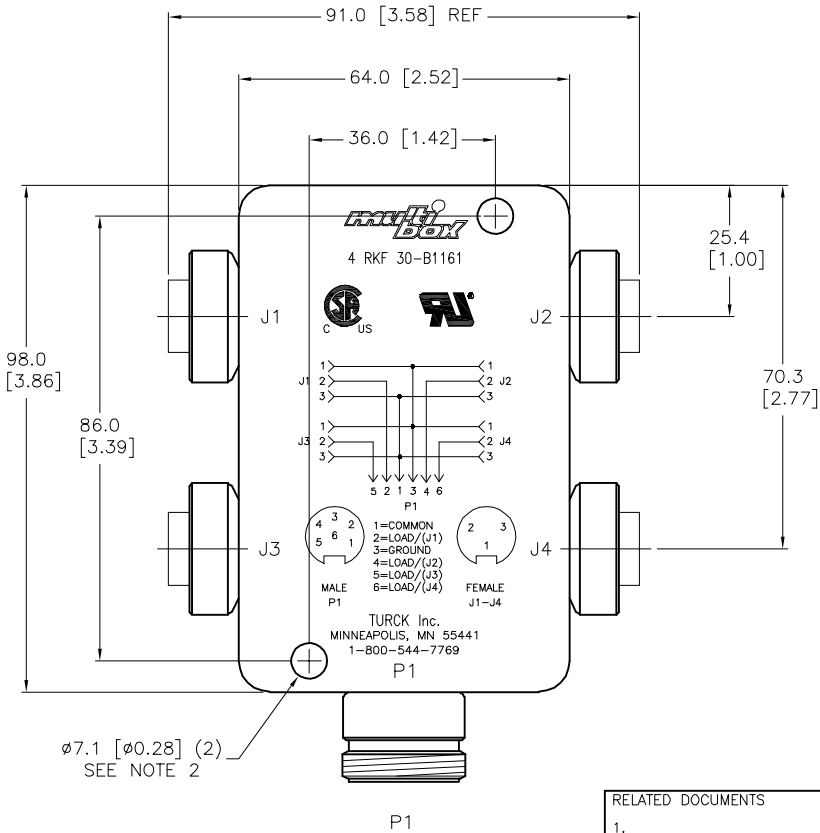


SPECIFICATIONS	
HOUSING MATERIAL	ALUMINUM ALLOY
HOUSING FINISH/COLOR	EPOXY/BLACK
CONTACT CARRIER MATERIAL	TPU
CONTACT MATERIAL/PLATING	BRASS/GOLD
OPERATING VOLTAGE	250 VAC / 300 VDC
OPERATING CURRENT	4 A PER PORT, 9.0 A TOTAL
PROTECTION CLASS to DIN 40050	IP 67 - ONLY WHEN ALL RECEPTACLES ARE COVERED WITH PLUGS OR CONNECTED
OPERATING TEMPERATURE	-40°C to 90°C (-40°F to 194°F)



SOURCE DRAWING - FOR REFERENCE ONLY

- NOTES:
- BOX HEIGHT IS 1.36 [34.5] NOMINAL.
 - CLEARANCE HOLE FOR 1/4-20 MOUNTING SCREWS (NOT INCLUDED).

RELATED DOCUMENTS		3RD ANGLE PROJECTION		THIS DRAWING IS CONFIDENTIAL AND THE PROPERTY OF TURCK INC. USE OF THIS DOCUMENT WITHOUT WRITTEN PERMISSION IS PROHIBITED.		 3000 CAMPUS DRIVE MINNEAPOLIS, MN 55441 1-800-544-7769 (763) 553-7300 (763) 553-0708 fax www.turck.us		
1.			DRFT	RWC	DATE	04/03/07	DESCRIPTION	
2.			APVD	RWC	SCALE	1=1.5		
3.		ALL DIMENSIONS DISPLAYED ON THIS DRAWING ARE FOR REFERENCE ONLY	UNIT OF MEASUREMENT				IDENTIFICATION NO.	REV
4.			MILLIMETER [INCH]					
MATERIAL	SEE SPECIFICATIONS	CONTACT TURCK FOR MORE INFORMATION	DO NOT SCALE THIS DRAWING				FILE: U2370	SHEET 1 OF 1
FINISH	SEE SPECIFICATIONS							

D	UPDATED LENGTH TO 36.0	ER	09/03/21	77012
REV	DESCRIPTION	BY	DATE	ECO NO.