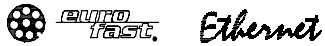
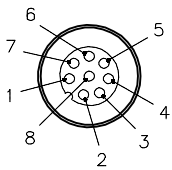
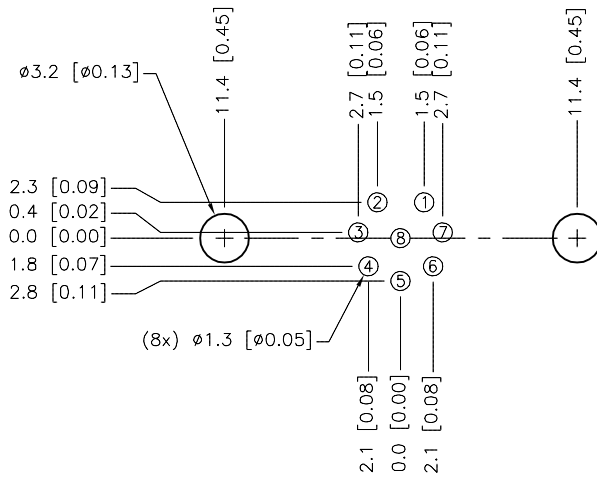


MALE END VIEW

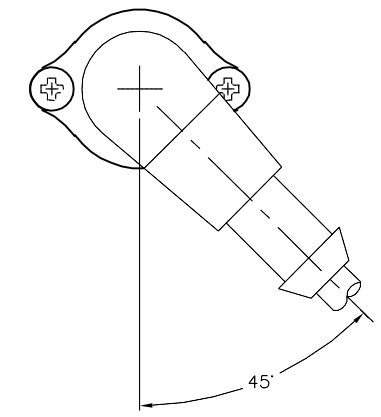
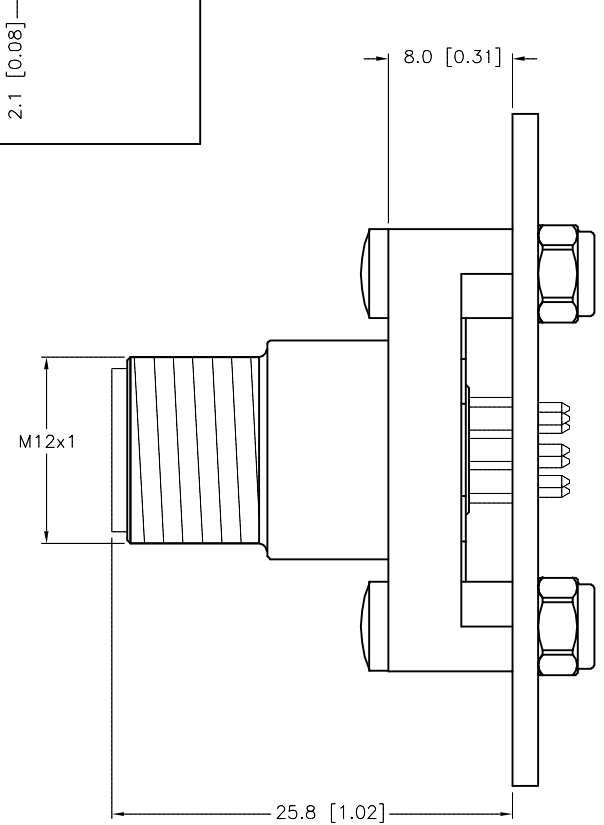
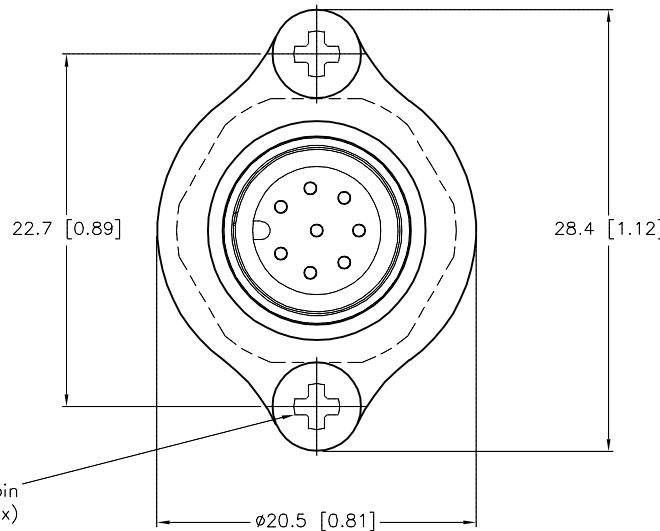


BOARD LAYOUT



SPECIFICATIONS

CONTACT CARRIER MATERIAL	NYLON OR TPU
CONTACT MATERIAL/PLATING	BRASS/GOLD
RATED CURRENT [A]	1.5 A
RATED VOLTAGE [V]	30 VAC/36 VDC
HOUSING MATERIAL/PLATING	BRASS/NICKEL
CONDUCTORS	PCB PINS
TEMPERATURE RATING	-40°C to +80°C (-40°F to +176°F)
PROTECTION CLASS	MEETS NEMA 1,3,4,6P AND IEC IP68
MAX BOARD THICKNESS	2mm



RIGHT ANGLE CONNECTOR ORIENTATION (HALF SCALE)

SOURCE DRAWING - FOR REFERENCE ONLY

NOTES:

1. FOR OTHER RIGHT ANGLE CONNECTORS, ROTATE BOARD LAYOUT TO DESIRED ORIENTATION OR ROTATE 8-HOLE PINOUT IN INCREMENTS OF 60°.

RELATED DOCUMENTS 1. INSERT SHEET 10240122 2. 3. 4.	3RD ANGLE PROJECTION 	THIS DRAWING IS CONFIDENTIAL AND THE PROPERTY OF TURCK INC. USE OF THIS DOCUMENT WITHOUT WRITTEN PERMISSION IS PROHIBITED.		3000 CAMPUS DRIVE MINNEAPOLIS, MN 55441 1-800-544-7769 (763) 553-7300 (763) 553-0708 fax www.turck.us	
	MATERIAL SEE SPECIFICATIONS	ALL DIMENSIONS DISPLAYED ON THIS DRAWING ARE FOR REFERENCE ONLY	DRFT RDS DATE 06/22/07	DESCRIPTION FS 84-PCB KIT	
FINISH SEE SPECIFICATIONS	CONTACT TURCK FOR MORE INFORMATION		APVD SCALE 1=.5	UNIT OF MEASUREMENT MILLIMETER [INCH]	
DO NOT SCALE THIS DRAWING		FILE: u3-10603		REV E	

E	ADD SPECS & UPDATE SCREW LENGTH	NF	08/01/19	500000000281
REV	DESCRIPTION	BY	DATE	ECO NO.