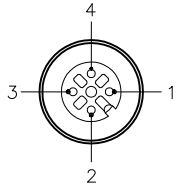
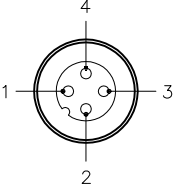
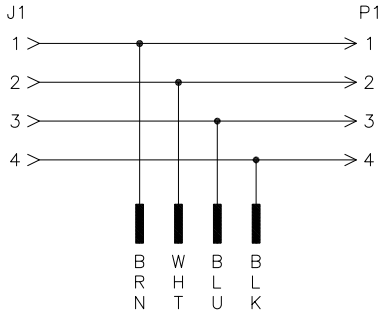
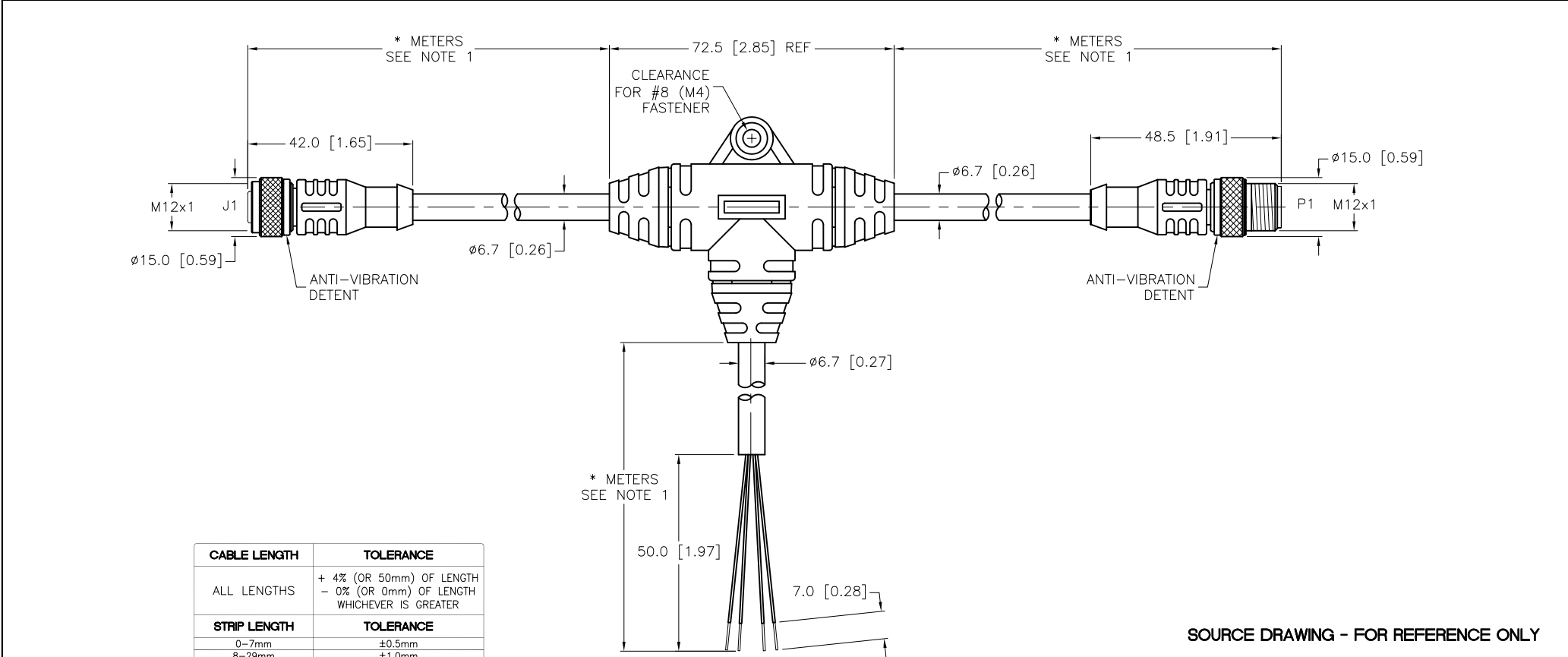
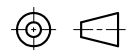



FEMALE END VIEW	MALE END VIEW	WIRING DIAGRAM	SPECIFICATIONS																						
			<table border="1" style="width:100%; border-collapse: collapse;"> <tr><td>CONTACT CARRIER MATERIAL</td><td>NYLON OR TPU</td></tr> <tr><td>MOLDED HEAD MATERIAL/COLOR</td><td>TPU/YELLOW</td></tr> <tr><td>CONTACT MATERIAL/PLATING</td><td>BRASS/GOLD</td></tr> <tr><td>COUPLING NUT MATERIAL/PLATING</td><td>BRASS/NICKEL</td></tr> <tr><td>RATED CURRENT [A]</td><td>4.0 A</td></tr> <tr><td>RATED VOLTAGE [V]</td><td>250 V</td></tr> <tr><td>OUTER CABLE JACKET MATERIAL/COLOR</td><td>PVC/YELLOW</td></tr> <tr><td>CONDUCTOR INSULATION MATERIAL</td><td>PVC</td></tr> <tr><td>NUMBER OF CONDUCTORS [AWG]</td><td>4x18 AWG</td></tr> <tr><td>TEMPERATURE RANGE</td><td>-40°C to +105°C (-40°F to +221°F)</td></tr> <tr><td>PROTECTION CLASS</td><td>MEETS NEMA 1,3,4,6P AND IEC IP67</td></tr> </table>	CONTACT CARRIER MATERIAL	NYLON OR TPU	MOLDED HEAD MATERIAL/COLOR	TPU/YELLOW	CONTACT MATERIAL/PLATING	BRASS/GOLD	COUPLING NUT MATERIAL/PLATING	BRASS/NICKEL	RATED CURRENT [A]	4.0 A	RATED VOLTAGE [V]	250 V	OUTER CABLE JACKET MATERIAL/COLOR	PVC/YELLOW	CONDUCTOR INSULATION MATERIAL	PVC	NUMBER OF CONDUCTORS [AWG]	4x18 AWG	TEMPERATURE RANGE	-40°C to +105°C (-40°F to +221°F)	PROTECTION CLASS	MEETS NEMA 1,3,4,6P AND IEC IP67
CONTACT CARRIER MATERIAL	NYLON OR TPU																								
MOLDED HEAD MATERIAL/COLOR	TPU/YELLOW																								
CONTACT MATERIAL/PLATING	BRASS/GOLD																								
COUPLING NUT MATERIAL/PLATING	BRASS/NICKEL																								
RATED CURRENT [A]	4.0 A																								
RATED VOLTAGE [V]	250 V																								
OUTER CABLE JACKET MATERIAL/COLOR	PVC/YELLOW																								
CONDUCTOR INSULATION MATERIAL	PVC																								
NUMBER OF CONDUCTORS [AWG]	4x18 AWG																								
TEMPERATURE RANGE	-40°C to +105°C (-40°F to +221°F)																								
PROTECTION CLASS	MEETS NEMA 1,3,4,6P AND IEC IP67																								



SOURCE DRAWING - FOR REFERENCE ONLY

NOTES:
1. "*" INDICATES CABLE LENGTH IN METERS. CONTACT TURCK TO ORDER SPECIFIC LENGTHS.

RELATED DOCUMENTS 1. 2. 3. 4.	3RD ANGLE PROJECTION 	THIS DRAWING IS CONFIDENTIAL AND THE PROPERTY OF TURCK INC. USE OF THIS DOCUMENT WITHOUT WRITTEN PERMISSION IS PROHIBITED.	<div style="text-align: center;">  TURCK IAC <i>High Technology Sensors and Automation Controls</i> </div>	3000 CAMPUS DRIVE MINNEAPOLIS, MN 55441 1-800-544-7769 (763) 553-7300 (763) 553-0708 fax turck.com
MATERIAL SEE SPECIFICATIONS	ALL DIMENSIONS DISPLAYED ON THIS DRAWING ARE FOR REFERENCE ONLY	DRFT RWC APVD	DATE 03/11/08 SCALE 1=1.5	DESCRIPTION RKC 4.4T-*-*-RSC 4.4T-*
FINISH SEE SPECIFICATIONS	CONTACT TURCK FOR MORE INFORMATION	UNIT OF MEASUREMENT MILLIMETER [INCH]		IDENTIFICATION NO. REV <div style="text-align: center; font-size: 2em;">D</div>
D UPDATE CABLE DIAMETER RDS 05/08/12 37149		DO NOT SCALE THIS DRAWING		FILE: 777021334 SHEET 1 OF 1