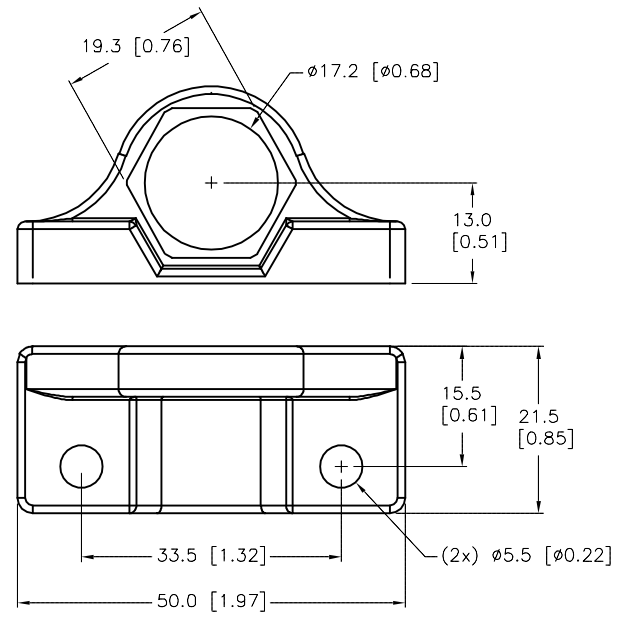
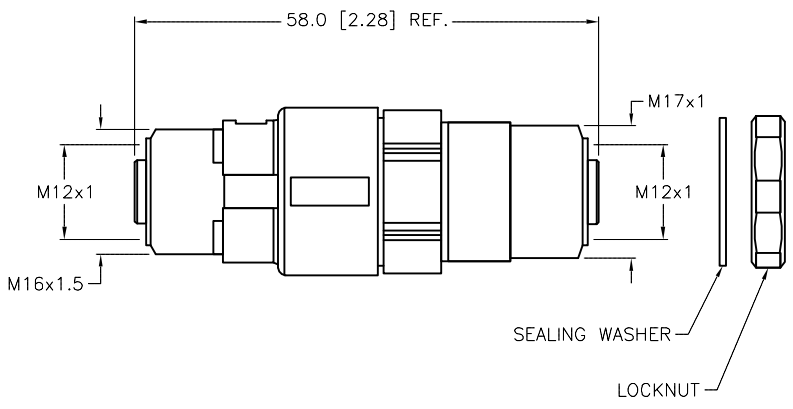
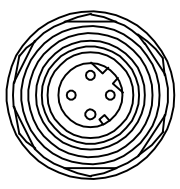
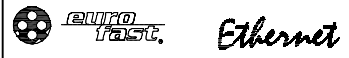
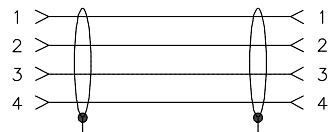
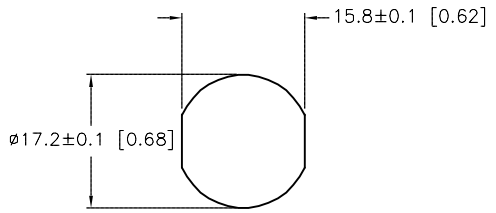
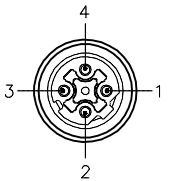


FEMALE END VIEW

PANEL CUTOUT

WIRING DIAGRAM

SPECIFICATIONS	
CONTACT CARRIER MATERIAL	PA
CONTACT MATERIAL/FINISH	BRASS/GOLD
HOUSING MATERIAL	DIE CAST ZINC
O-RING MATERIAL	NBR
RATED CURRENT [A]	4.0 A
RATED VOLTAGE [V]	250 V
TEMPERATURE RANGE	-40°C to +85°C [-40°F to +185°F]
PROTECTION CLASS	MEETS IEC IP67



SOURCE DRAWING - FOR REFERENCE ONLY

NOTES:
1. BRACKET AND RECEPTACLE ARE SEPARATE IN THE BAG.

RELATED DOCUMENTS 1. 2. 3. 4.	3RD ANGLE PROJECTION 	THIS DRAWING IS CONFIDENTIAL AND THE PROPERTY OF TURCK INC. USE OF THIS DOCUMENT WITHOUT WRITTEN PERMISSION IS PROHIBITED.		3000 CAMPUS DRIVE MINNEAPOLIS, MN 55441 1-800-544-7769 (763) 553-7300 (763) 553-0708 fax www.turck.us	
	MATERIAL SEE SPECIFICATIONS	ALL DIMENSIONS DISPLAYED ON THIS DRAWING ARE FOR REFERENCE ONLY	DRFT KMY DATE 10/01/12	DESCRIPTION FKD FKD 44/M12	
	FINISH SEE SPECIFICATIONS		APVD A.A. SCALE 1=1.0		
			UNIT OF MEASUREMENT MILLIMETER [INCH]		IDENTIFICATION NO. U2-20910
DO NOT SCALE THIS DRAWING		FILE: U2-20910		SHEET 1 OF 1	

C	UPDATE DRAWING PER ECO	NF	02/27/18	63179
REV	DESCRIPTION	BY	DATE	ECO NO.