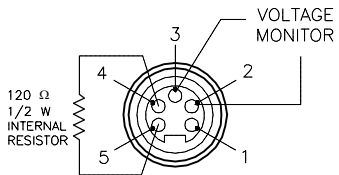
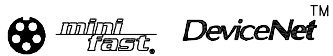


MALE END VIEW

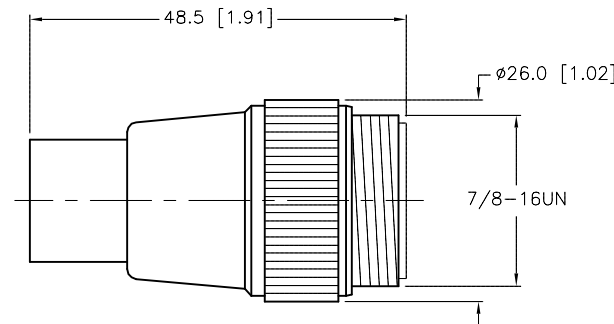


- 1 = BARE (SHIELD)
- 2 = RED (+ VOLTAGE)
- 3 = BLACK (- VOLTAGE)
- 4 = WHITE (CAN_H)
- 5 = BLUE (CAN_L)


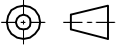


SPECIFICATIONS

MOLDED BODY MATERIAL\COLOR	TPU\CLEAR
CONTACT CARRIER MATERIAL\COLOR	TPU\BLUE-GRAY
CONTACT MATERIAL\PLATING	BRASS/GOLD
COUPLING NUT MATERIAL\PLATING	BRASS/NICKEL
RATED VOLTAGE [V]	24 V (7.6 VDC MAX. ON PINS WITH RESISTOR)
INTERNAL TERMINATING RESISTOR	120Ω, 1/2 W
VOLTAGE MONITORING (BUS POWER)	GREEN: CORRECT POLARITY RED: REVERSED POLARITY
TEMPERATURE RATING	-40°C to +80°C (-40°F to +170°F)
PROTECTION CLASS	MEETS NEMA 1,3,4,6P AND IEC IP67



SOURCE DRAWING - FOR REFERENCE ONLY

RELATED DOCUMENTS		3RD ANGLE PROJECTION		THIS DRAWING IS CONFIDENTIAL AND THE PROPERTY OF TURCK INC. USE OF THIS DOCUMENT WITHOUT WRITTEN PERMISSION IS PROHIBITED.		 3000 CAMPUS DRIVE MINNEAPOLIS, MN 55441 1-800-544-7769 (763) 553-7300 (763) 553-0708 fax www.turck.us		
1. 2. 3. 4.				DRFT DF	DATE 07/23/02	DESCRIPTION RSM 57-TR2/VM		
MATERIAL		ALL DIMENSIONS DISPLAYED ON THIS DRAWING ARE FOR REFERENCE ONLY		APVD DF	SCALE 1=1.0			
FINISH		CONTACT TURCK FOR MORE INFORMATION		UNIT OF MEASUREMENT MILLIMETER [INCH]		IDENTIFICATION NO. U0102-101	REV C	
C	DRAWING PROCESSED AS PART OF ECO 33971	CBM	04/07/11	33971	DO NOT SCALE THIS DRAWING		FILE: U0102-101	SHEET 1 OF 1
REV	DESCRIPTION	BY	DATE	ECO NO.				