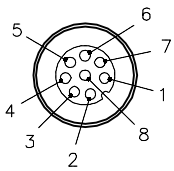
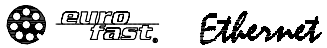


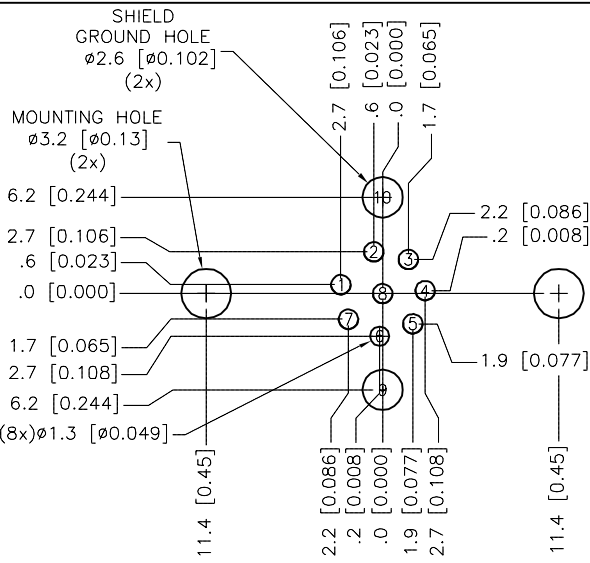
FEMALE END VIEW



- 1 = WHITE/BLUE
- 2 = WHITE/BROWN
- 3 = BROWN
- 4 = ORANGE (-TX)
- 5 = WHITE/GREEN (+RX)
- 6 = WHITE/ORANGE (+TX)
- 7 = BLUE
- 8 = GREEN (-RX)

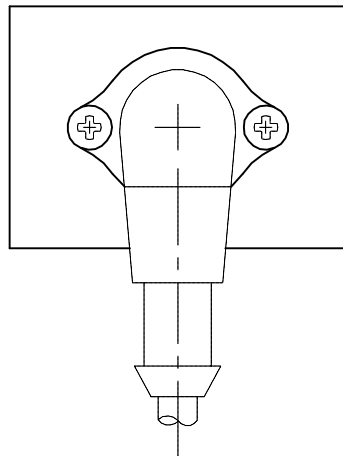


BOARD LAYOUT

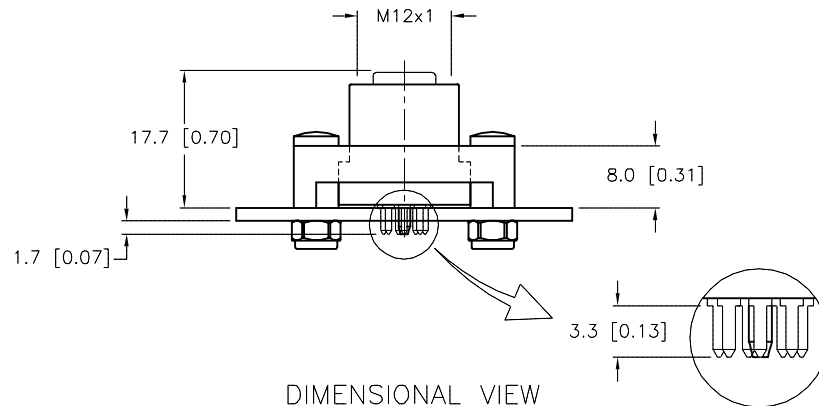
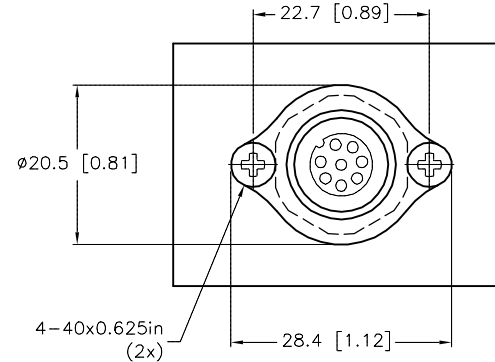


SPECIFICATIONS

CONTACT CARRIER MATERIAL	NYLON OR TPU
CONTACT MATERIAL/PLATING	BRASS/GOLD
RATED CURRENT [A]	1.5 A
RATED VOLTAGE [V]	30 VAC/36 VDC
HOUSING MATERIAL/PLATING	BRASS/NICKEL
CONDUCTORS	PCB PINS
TEMPERATURE RATING	-40°C to +90°C (-40°F to +194°F)
PROTECTION CLASS	MEETS NEMA 1,3,4,6P AND IEC IP68
MAX. BOARD THICKNESS	2.0mm



RIGHT ANGLE CONNECTOR ORIENTATION



DIMENSIONAL VIEW

SOURCE DRAWING - FOR REFERENCE ONLY

NOTES:

- FOR OTHER RIGHT ANGLE CONNECTOR ORIENTATIONS, ROTATE BOARD LAYOUT TO DESIRED ORIENTATION OR ROTATE 5-HOLE PINOUT IN INCREMENTS OF 60°.

RELATED DOCUMENTS 1. 9-RDV-147 2. INSERT SHEET 10240166 3. 4.	3RD ANGLE PROJECTION 	THIS DRAWING IS CONFIDENTIAL AND THE PROPERTY OF TURCK INC. USE OF THIS DOCUMENT WITHOUT WRITTEN PERMISSION IS PROHIBITED.		3000 CAMPUS DRIVE MINNEAPOLIS, MN 55441 1-800-544-7769 (763) 553-7300 (763) 553-0708 fax www.turck.us	
	MATERIAL SEE SPECIFICATIONS	DRFT RDS APVD GC	DATE 01/03/02 SCALE 1=.5	DESCRIPTION FK 84-PCB KIT	
FINISH SEE SPECIFICATIONS	ALL DIMENSIONS DISPLAYED ON THIS DRAWING ARE FOR REFERENCE ONLY	UNIT OF MEASUREMENT MILLIMETER [INCH]		IDENTIFICATION NO. U8612-1	REV G
G ADD BOARD THICKNESS AND INCREASE SCREW LENGTH	RDS 08/27/19	5000000000409		DO NOT SCALE THIS DRAWING	FILE: U8612-1 SHEET 1 OF 1
REV DESCRIPTION	BY	DATE	ECO NO.		