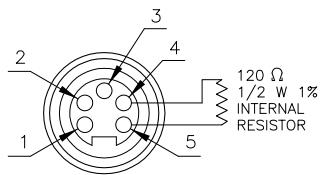
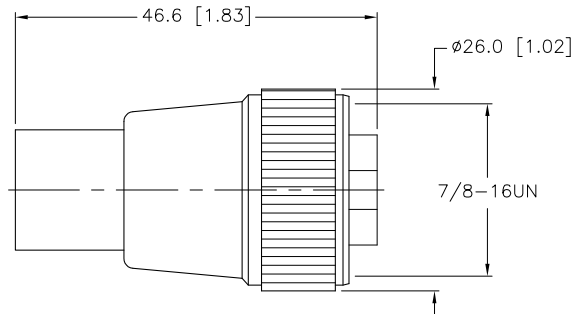


FEMALE END VIEW



SPECIFICATIONS

MOLDED BODY MATERIAL/COLOR	TPU/BLUE-GRAY
CONTACT CARRIER MATERIAL	TPU/BLUE-GRAY
CONTACT MATERIAL/PLATING	BRASS/GOLD
COUPLING NUT MATERIAL/PLATING	BRASS/NICKEL
RATED VOLTAGE [V]	300 VDC (7.6 VDC MAX. ON PINS WITH RESISTOR)
INTERNAL RESISTOR	120 Ω, 1/2 W
TEMPERATURE RATING	-40°C TO +80°C (-40°F TO +176°F)
PROTECTION CLASS	MEETS NEMA 1,3,4,6P AND IEC IP67



RELATED DOCUMENTS		3RD ANGLE PROJECTION		THIS DRAWING IS PROPERTY OF TURCK INC. USE OF THIS DOCUMENT WITHOUT WRITTEN PERMISSION IS PROHIBITED.		TURCK INC High Technology Sensors and Automation Controls 3000 CAMPUS DRIVE MINNEAPOLIS, MN 55441 1-800-544-7769 (763) 553-7300 (763) 553-0708 fax turck.com			
1.			ALL DIMENSIONS DISPLAYED ON THIS DRAWING ARE FOR REFERENCE ONLY	DRFT	CBM	DATE	12/09/98		
2.				DSGN		SCALE	1=1.0	DESCRIPTION	RKM 57-TR2
3.				UNIT OF MEASUREMENT			IDENTIFICATION NO.	REV	
4.				MILLIMETER [INCH]			U0102-1	E	
MATERIAL		SEE SPECIFICATIONS		CONTACT TURCK FOR MORE INFORMATION		DO NOT SCALE THIS DRAWING		FILE: U0102-1	SHEET 1 OF 1
FINISH		SEE SPECIFICATIONS							

E	DRAWING PROCESSED AS PART OF ECO 33971	CBM	04/07/11	33971
REV	DESCRIPTION	BY	DATE	ECO NO.