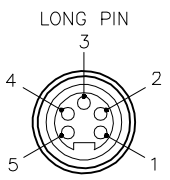
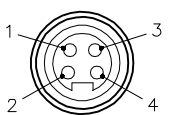
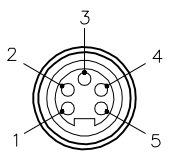
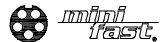

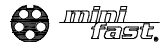
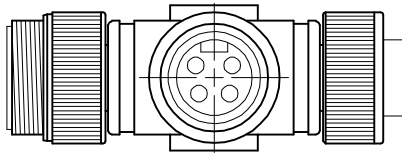
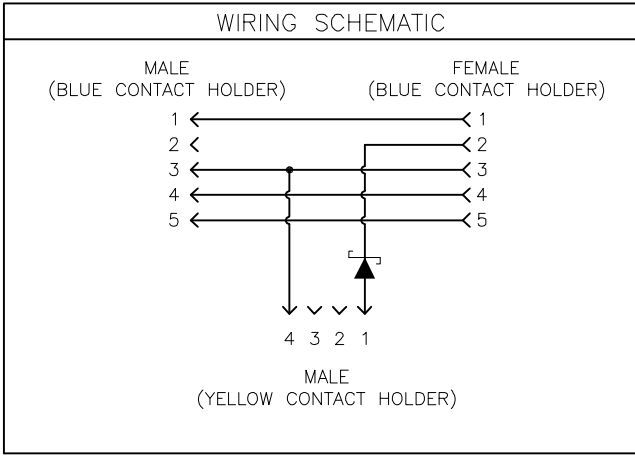
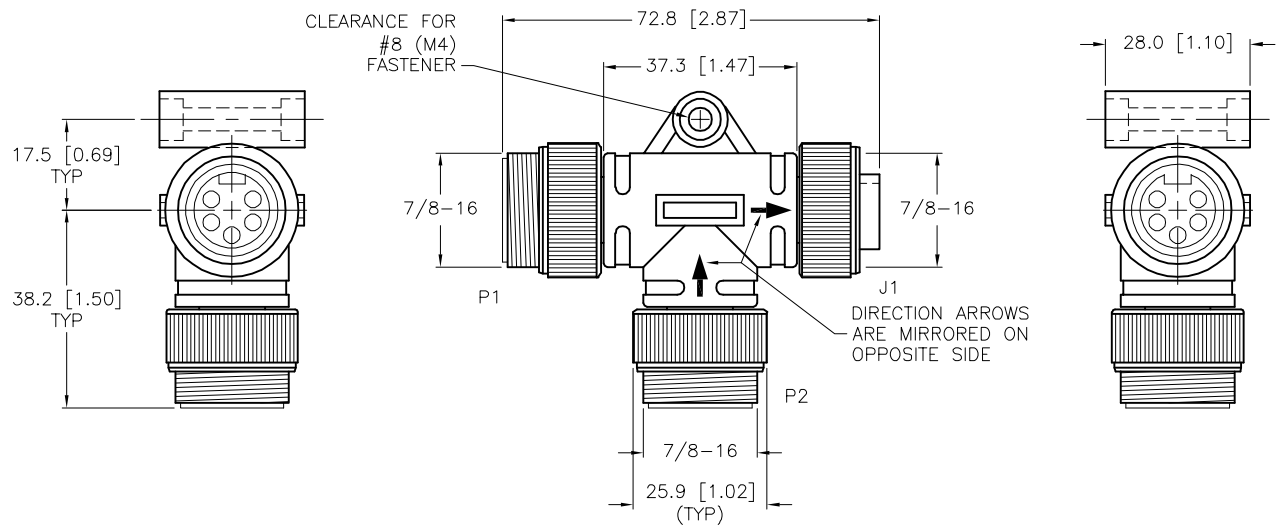
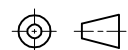



MALE END VIEW (BLUE)	MALE END VIEW (YELLOW)	FEMALE END VIEW (BLUE)	SPECIFICATIONS																	
			<table border="1"> <tr><td>CONTACT CARRIER MATERIAL/COLOR</td><td>TPU/BLUE (P1,J1), YELLOW (P2)</td></tr> <tr><td>MOLDED HEAD MATERIAL/COLOR</td><td>TPU/BLUE-GRAY</td></tr> <tr><td>CONTACT MATERIAL/PLATING</td><td>BRASS/GOLD</td></tr> <tr><td>COUPLING NUT MATERIAL/PLATING</td><td>BRASS/NICKEL</td></tr> <tr><td>RATED CURRENT [A]</td><td>5.0 A</td></tr> <tr><td>RATED VOLTAGE [VDC]</td><td>28 V</td></tr> <tr><td>TEMPERATURE RATING</td><td>-40°C TO +80°C (-40°F TO 176°F)</td></tr> <tr><td>PROTECTION CLASS</td><td>MEETS NEMA 1,3,4,6P AND IEC IP67</td></tr> </table>	CONTACT CARRIER MATERIAL/COLOR	TPU/BLUE (P1,J1), YELLOW (P2)	MOLDED HEAD MATERIAL/COLOR	TPU/BLUE-GRAY	CONTACT MATERIAL/PLATING	BRASS/GOLD	COUPLING NUT MATERIAL/PLATING	BRASS/NICKEL	RATED CURRENT [A]	5.0 A	RATED VOLTAGE [VDC]	28 V	TEMPERATURE RATING	-40°C TO +80°C (-40°F TO 176°F)	PROTECTION CLASS	MEETS NEMA 1,3,4,6P AND IEC IP67	
CONTACT CARRIER MATERIAL/COLOR	TPU/BLUE (P1,J1), YELLOW (P2)																			
MOLDED HEAD MATERIAL/COLOR	TPU/BLUE-GRAY																			
CONTACT MATERIAL/PLATING	BRASS/GOLD																			
COUPLING NUT MATERIAL/PLATING	BRASS/NICKEL																			
RATED CURRENT [A]	5.0 A																			
RATED VOLTAGE [VDC]	28 V																			
TEMPERATURE RATING	-40°C TO +80°C (-40°F TO 176°F)																			
PROTECTION CLASS	MEETS NEMA 1,3,4,6P AND IEC IP67																			
																				



SOURCE DRAWING - FOR REFERENCE ONLY

RELATED DOCUMENTS 1. 2. 3. 4.	3RD ANGLE PROJECTION 	THIS DRAWING IS CONFIDENTIAL AND THE PROPERTY OF TURCK INC. USE OF THIS DOCUMENT WITHOUT WRITTEN PERMISSION IS PROHIBITED.	<div style="text-align: right;"> <p>3000 CAMPUS DRIVE MINNEAPOLIS, MN 55441 1-800-544-7769 (763) 553-7300 (763) 553-0708 fax www.turck.us</p> </div> <div style="text-align: center;">  </div>								
MATERIAL	ALL DIMENSIONS DISPLAYED ON THIS DRAWING ARE FOR REFERENCE ONLY	<table border="1"> <tr><td>DRFT</td><td>CBM</td><td>DATE</td><td>02/05/98</td></tr> <tr><td>APVD</td><td></td><td>SCALE</td><td>1=1.5</td></tr> </table>	DRFT	CBM	DATE	02/05/98	APVD		SCALE	1=1.5	DESCRIPTION RSM RKM 57 WSM 40 PST
DRFT	CBM	DATE	02/05/98								
APVD		SCALE	1=1.5								
FINISH	CONTACT TURCK FOR MORE INFORMATION	UNIT OF MEASUREMENT MILLIMETER [INCH] DO NOT SCALE THIS DRAWING	<table border="1"> <tr> <td>IDENTIFICATION NO.</td> <td>REV</td> </tr> <tr> <td style="text-align: center;">U0130-0</td> <td style="text-align: center;">F</td> </tr> <tr> <td>FILE: U0130-0</td> <td>SHEET 1 OF 1</td> </tr> </table>	IDENTIFICATION NO.	REV	U0130-0	F	FILE: U0130-0	SHEET 1 OF 1		
IDENTIFICATION NO.	REV										
U0130-0	F										
FILE: U0130-0	SHEET 1 OF 1										

F	UPDATE TEMP RANGE	CK	06/07/11	35326
REV	DESCRIPTION	BY	DATE	ECO NO.