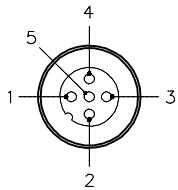


MALE END VIEW

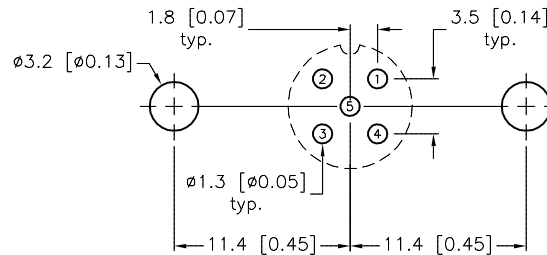
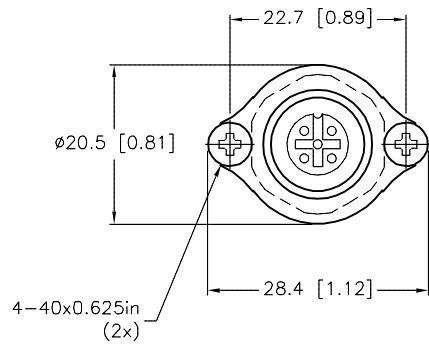


- 1 = BARE (SHIELD)
- 2 = RED (+ VOLTAGE)
- 3 = BLACK (- VOLTAGE)
- 4 = WHITE (CAN\_H)
- 5 = BLUE (CAN\_L)

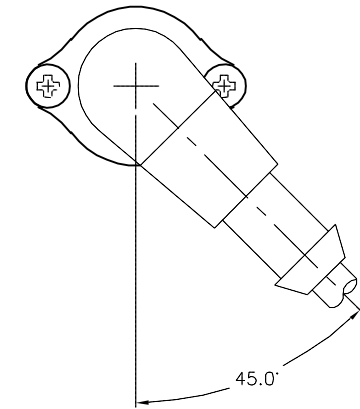


SPECIFICATIONS

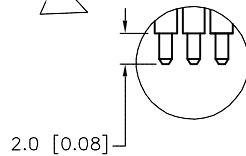
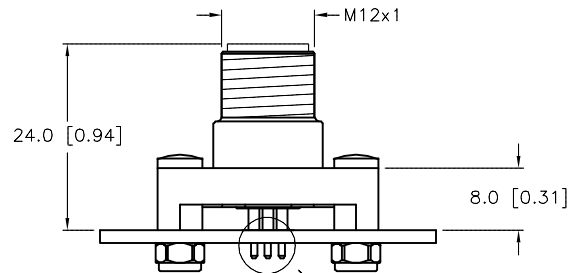
CONTACT CARRIER MATERIAL	NYLON OR TPU
CONTACT MATERIAL/PLATING	BRASS/GOLD
RATED CURRENT [A]	4.0 A
RATED VOLTAGE [V]	250 V
HOUSING MATERIAL	BRASS/NICKEL
CONDUCTORS	PCB PINS
TEMPERATURE RATING	-30°C to +80°C (-22°F to +176°F)
PROTECTION CLASS	MEETS NEMA 1,3,4,6P AND IEC IP68
MAX BOARD THICKNESS	2mm



BOARD LAYOUT  
SCALE 2=1



RIGHT ANGLE  
CONNECTOR ORIENTATION



NOTES:

1. FOR OTHER RIGHT ANGLE CONNECTORS, ROTATE BOARD LAYOUT TO DESIRED ORIENTATION OR ROTATE 5-HOLE PINOUT IN INCREMENTS OF 60°.

SOURCE DRAWING - FOR REFERENCE ONLY

RELATED DOCUMENTS 1. INSERT SHEET 10240122 2. 3. 4.		3RD ANGLE PROJECTION 		THIS DRAWING IS CONFIDENTIAL AND THE PROPERTY OF TURCK INC. USE OF THIS DOCUMENT WITHOUT WRITTEN PERMISSION IS PROHIBITED.		3000 CAMPUS DRIVE MINNEAPOLIS, MN 55441 1-800-544-7769 (763) 553-7300 (763) 553-0708 fax www.turck.us	
MATERIAL SEE SPECIFICATIONS		DRFT GC DATE 08/14/98		DESCRIPTION FS 57-PCB KIT		IDENTIFICATION NO. U1132-0	
FINISH SEE SPECIFICATIONS		ALL DIMENSIONS DISPLAYED ON THIS DRAWING ARE FOR REFERENCE ONLY		UNIT OF MEASUREMENT <b>MILLIMETER [ INCH ]</b>		REV H	
CONTACT TURCK FOR MORE INFORMATION		DO NOT SCALE THIS DRAWING		FILE: U1132-0		SHEET 1 OF 1	

H	ADD SPECS & UPDATE SCREW LENGTH	NF	08/01/19	500000000281
REV	DESCRIPTION	BY	DATE	ECO NO.