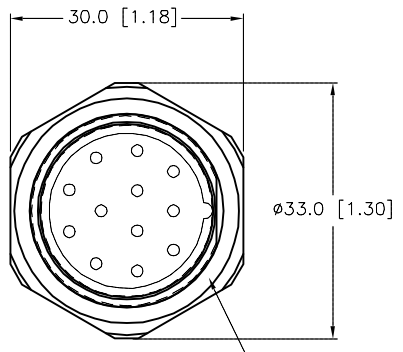
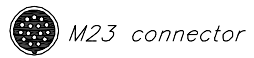
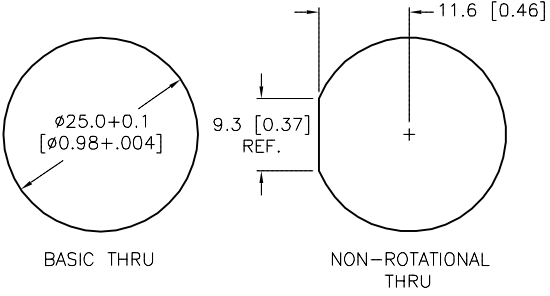
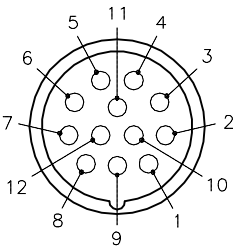


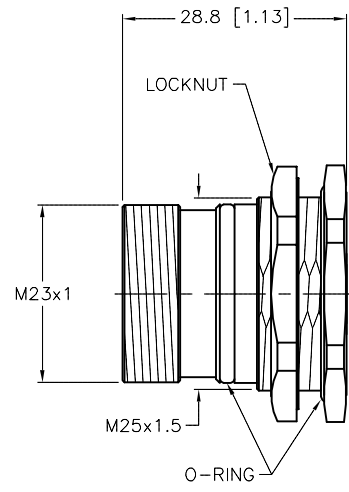
FEMALE END VIEW

PANEL CUTOUT (TYPICAL)

SPECIFICATIONS	
CONTACT CARRIER MATERIAL/COLOR	NYLON OR TPU
CONTACT MATERIAL/PLATING	BRASS/GOLD
HOUSING/LOCKNUT MATERIAL/PLATING	BRASS/NICKEL
SEALING RING	BUNA N OR FLUOR RUBBER
RATED CURRENT [A]	8.0 A
RATED VOLTAGE [V]	300 V
TERMINATION METHOD	SOLDER LUG
MAXIMUM CONDUCTOR SIZE [AWG]	17 AWG
TEMPERATURE RANGE	-40°C to +105°C (-40°F to +221°F)
PROTECTION CLASS	MEETS IP65
MAXIMUM WALL THICKNESS	MAXIMUM IS 6.5 [0.25]



END VIEW  
LOCKNUT NOT SHOWN FOR CLARITY  
O-RING GROOVE



**NOTE**  
**PRELIMINARY**  
**SPECIFICATIONS**

**SOURCE DRAWING - FOR REFERENCE ONLY**

NOTE:  
1. CONTACT HOLDER ASSEMBLED AND UV CURED INTO HOUSING.

RELATED DOCUMENTS		3RD ANGLE PROJECTION	THIS DRAWING IS CONFIDENTIAL AND THE PROPERTY OF TURCK INC. USE OF THIS DOCUMENT WITHOUT WRITTEN PERMISSION IS PROHIBITED.		<b>TURCK INC</b> High Technology Sensors and Automation Controls 3000 CAMPUS DRIVE MINNEAPOLIS, MN 55441 1-800-544-7769 (763) 553-7300 (763) 553-0708 fax turck.com	
1.			DRFT	TR	DATE	09/26/11
2.			APVD		SCALE	1=1.0
3.		ALL DIMENSIONS DISPLAYED ON THIS DRAWING ARE FOR REFERENCE ONLY	UNIT OF MEASUREMENT		DESCRIPTION	
4.			MILLIMETER [ INCH ]		CKFD 12-0	
MATERIAL		CONTACT TURCK FOR MORE INFORMATION	IDENTIFICATION NO.		REV	
SEE SPECIFICATIONS			U4800-2		P2	
FINISH		DO NOT SCALE THIS DRAWING		FILE: U4800-2		SHEET 1 OF 1
SEE SPECIFICATIONS						

P2	UPDATE RATED CURRENT SPECIFICATION	KMY	01/30/14	44704
REV	DESCRIPTION	BY	DATE	ECO NO.