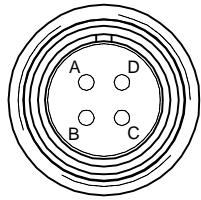


FEMALE END VIEW

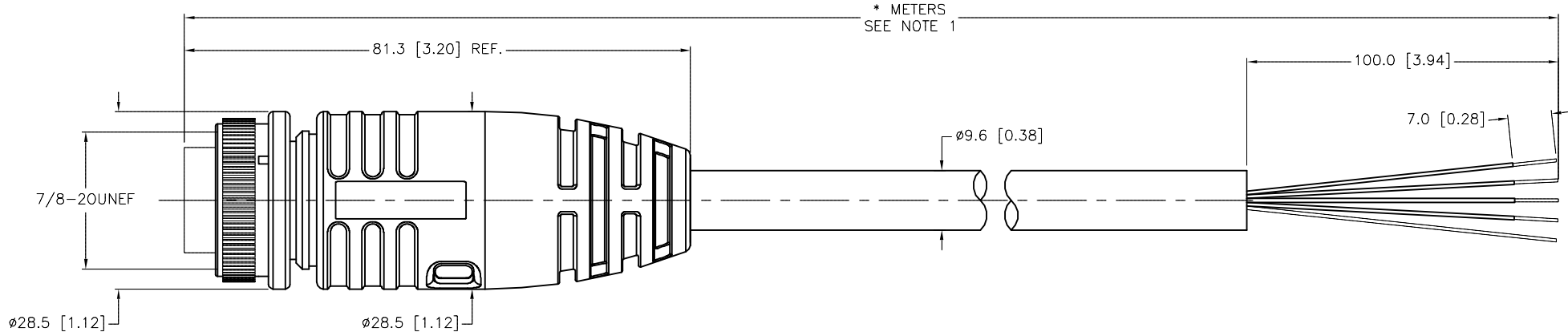


A = WHITE
 B = RED
 C = GREEN/YELLOW
 D = BLACK

CONNECTOR
 TYPE/STYLE - MS 3106M
 SHELL SIZE - 14S
 INSERT ARRANGEMENT - 2S

SPECIFICATIONS

CONTACT CARRIER MATERIAL	NEOPRENE
MOLDED HEAD MATERIAL/COLOR	PVC/BLACK
CONTACT MATERIAL/PLATING	COPPER ALLOY/SILVER
COUPLING NUT MATERIAL/PLATING	ALUMINUM ALLOY/OLIVE DRAB CHROMATE
MOLD SLEEVE	ALUMINUM/BLACK ANODIZED
RATED CURRENT [A]	13.0 A
RATED VOLTAGE [V]	200 V
OUTER JACKET MATERIAL/COLOR	TPE/BLACK
CONDUCTOR INSULATION MATERIAL	PVC
NUMBER OF CONDUCTORS	4x16 AWG
DRAIN/SHIELD	18 AWG/ALUM.-POLYESTER FOIL & T-C BRAIDED
TEMPERATURE RATING	-40°C TO +90°C (-40°F TO +194°F)
PROTECTION CLASS	MEETS NEMA 1,3,4,6P AND IEC IP67,IP68
CONNECTOR TYPE	MIL-DTL-5015



* METERS
 SEE NOTE 1

CABLE LENGTH	TOLERANCE*
ALL LENGTHS	+ 4% (OR 50mm) OF LENGTH - 0% (OR 0mm) OF LENGTH WHICHEVER IS GREATER
STRIP LENGTH	TOLERANCE*
0-7mm	±0.5mm
8-29mm	±1.0mm
30-49mm	±2.0mm
50-69mm	±3.0mm
70-100mm	±4.0mm
OVER 100mm	±5.0mm

*UNLESS OTHERWISE SPECIFIED

NOTES:

- "*" INDICATES CABLE LENGTH IN METERS. CONTACT TURCK TO ORDER SPECIFIC LENGTH.
- SHIELD NOT CONNECTED TO COUPLING NUT.

SOURCE DRAWING - FOR REFERENCE ONLY

RELATED DOCUMENTS		3RD ANGLE PROJECTION		THIS DRAWING IS CONFIDENTIAL AND THE PROPERTY OF TURCK INC. USE OF THIS DOCUMENT WITHOUT WRITTEN PERMISSION IS PROHIBITED.		3000 CAMPUS DRIVE MINNEAPOLIS, MN 55441 1-800-544-7769 (763) 553-7300 (763) 553-0708 fax www.turck.us		
1.			DRFT	RWC	DATE	11/19/09	DESCRIPTION MS 3106M-14S-2S-617-*	
2.			APVD	DD	SCALE	1=1.0		
3.		ALL DIMENSIONS DISPLAYED ON THIS DRAWING ARE FOR REFERENCE ONLY	UNIT OF MEASUREMENT				IDENTIFICATION NO.	REV
4.			MILLIMETER [INCH]					
MATERIAL		CONTACT TURCK FOR MORE INFORMATION	DO NOT SCALE THIS DRAWING				FILE: 777025565	SHEET 1 OF 1
SEE SPECIFICATIONS								
FINISH		SEE SPECIFICATIONS						

I	UPDATE GREEN TO GREEN/YELLOW	ER	04/12/18	161607
REV	DESCRIPTION	BY	DATE	ECO NO.