



This module provides one connector with four PNP inputs and four PNP outputs each for connection to AS-interface*. The wiring is simple screw terminals to support multiple I/O configurations.

The node address can be set using an AS-i handheld addressing tool or via software through the AS-i master.

This station supports standard address mode 1-31 (V2.0, 2.1, 3.0).

A short-circuit on any I/O point is indicated by a fault signal per the AS-i v3.0 specification. All inputs and outputs are powered from the AS-i line.

Integrated Design:

- AS-interface* station
- Four input and four outputs

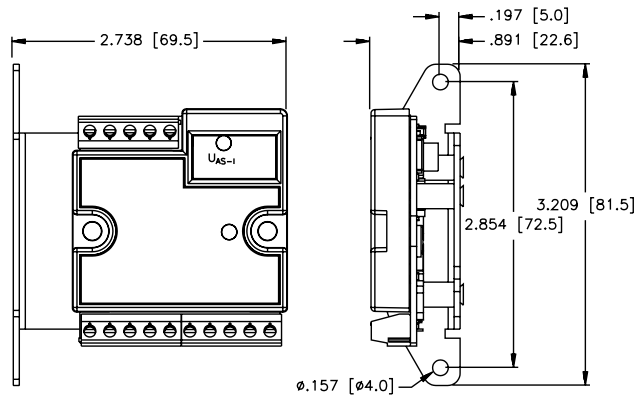
Applications:

- For dry environments
- For use with four 2-wire or 3-wire discrete sensors

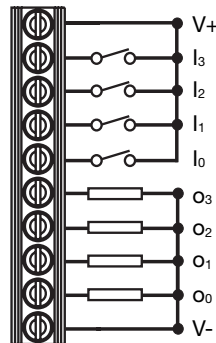
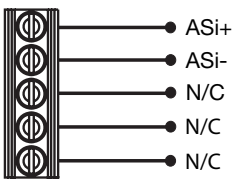
Features:

- PNP short-circuit protected inputs
- Short-circuit protected outputs
- Glass filled nylon with nickel plated brass connectors

Dimensions:



Terminal Wiring:



Module Specifications:

Electrical

Operating Voltage	18-31 Volts (from AS-i Network)
Internal Current Consumption	30 mA

Input Circuits (4) PNP 3-wire sensors or dry contacts

Input/Output Short-Circuit (I_{max})	130 mA (from AS-i power line)
Input Signal State	Off < 2mA On = 3.0 – 3.4 mA
Input Delay	2.5 ms

Output Circuits

Output Current	Up to 130 mA shared input (from AS-i power line)
----------------	--

LED Indications

AS-i Network LED	Off = Off Green = Ok Red/Green = Fault
------------------	--

Connections

AS-interface®	5-pin screw terminals Screw terminal torque = 0.5 Nm max.
---------------	--

Device Address

Address Adjustment	1 – 31 Standard address mode (V2.0. 2.1, 3.0)
--------------------	---

Mechanical

Material	Nylon
Operating Temperature	-13° to +158°F (-25° to +70°C)
Protection	IP20 Pollution degree 2 environment

Data and Parameter Bit:

I/O Data	D ₃	D ₂	D ₁	D ₀	IO Code 7 ID Code F ID2 Code E
	O ₃	O ₂	O ₁	O ₀	
	I ₃	I ₂	I ₁	I ₀	
Parameter Group	P ₃	P ₂	P ₁	P ₀	
	Not Used	Not Used	Not Used	IGS/OGS Enable	

Current parameter P0 represents IGS and OGS simultaneously.
I/O faults are reported via the AS-i peripheral fault bit.